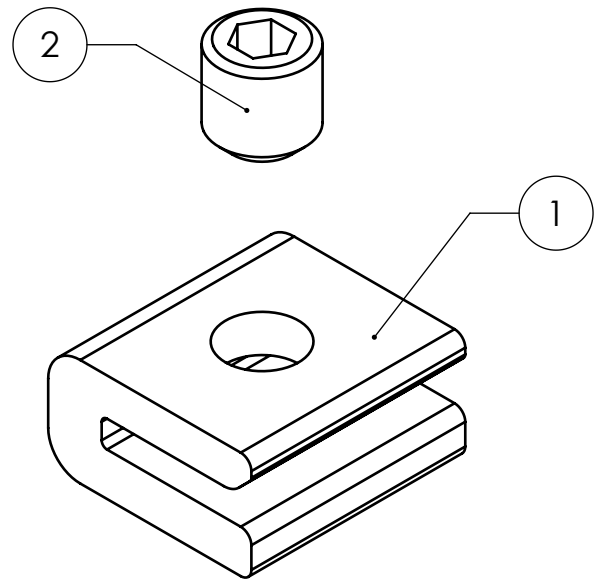


Isometric



Pos.No.	Designation	Material	Quantity
1	FixStop 2.0	EN AW 6063 T66	1
2	Hexagon socket screw headless - ISO 4026 - M8x8	A2-70	1



K2 Systems GmbH
 Haldenstr. 1
 71272 Renningen
 Germany
 +49 7159 42059-0

Designation:

Data sheet
 FixStop 2.0 Set

Name	Date	Material:	Item no.:	Revision:	A4
Designed E. Markou	08.05.2023	-	2004370	02	
Approved KMA	24.03.2026	Surface: -			All dimensions in mm
Last change MAY	19.03.2026	Weight: ca. 10.2 g/pc	Scale: 2:1	Sheet 1 of 1	