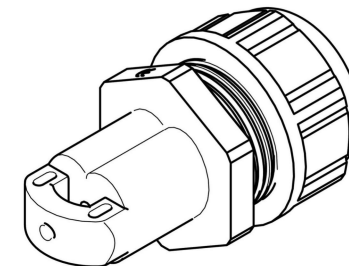
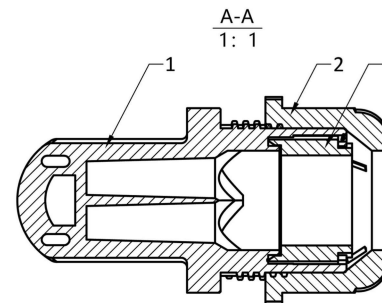
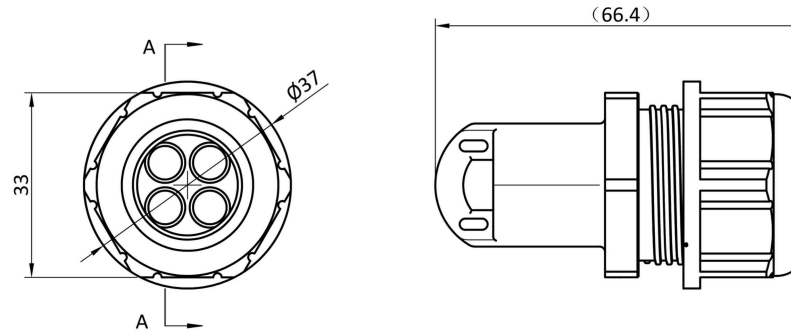


2060700017_ 3-wire Bus Cable End Cap

RoHS
REACH

CHANGE NO.	CHANGE CONTENTS	REV.	NAME/DATE
①	Change the name	0.2	ZZH 2023-6-9



- Notes:
1. Cable Size: 10~16mm;
 2. Nut Torque: 3.0~5.0N·m;
 3. Waterproof Rating: IP68;
 4. Operating Temperature Range: -40~105°C;

NO.	NAME	TYPE	MAT.	QTY.	REMARK
3	Sealing bushing		Rubber	1	
2	Round nut		PA6	1	
1	Joint body		PA6	1	

TOLERANCES UNLESS OTHERWISE SPECIFIED		MATERIAL		APsystems ALTERNERGY POWER	
±0.5				NAME ① 3-wire Bus Cable End Cap	
DWN.	UNIT mm			DRAWING NO.	
CHK.	SHEET -- OF --	REV. 2.1		-	