
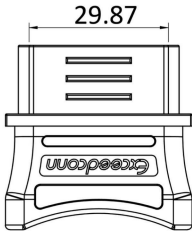
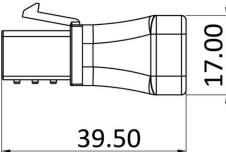
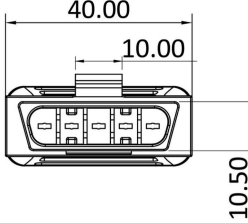

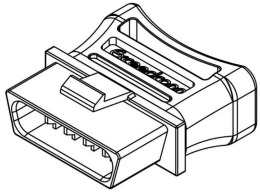


2061252032_5-wire Bus Cable T-CONN Cap



CHANGE NO.	CHANGE CONTENTS	REV.	NAME/DATE

Notes:

1. Type: MIH-1-01;
2. Waterproof Rate: IP67;
3. Mating Cycle: ≥50;
4. Part Retention Force: 100N;

TOLERANCES UNLESS OTHERWISE SPECIFIED	MATERIAL	APsystems ALTERNATE POWER								
X. ±2.00		<table border="1" style="width: 100%; border-collapse: collapse;"> <tr> <td colspan="2" style="font-weight: bold;">NAME</td> </tr> <tr> <td colspan="2">5-wire Bus Cable T-CONN Cap</td> </tr> <tr> <td colspan="2" style="font-weight: bold;">DRAWING NO.</td> </tr> <tr> <td colspan="2">-</td> </tr> </table>	NAME		5-wire Bus Cable T-CONN Cap		DRAWING NO.		-	
NAME										
5-wire Bus Cable T-CONN Cap										
DRAWING NO.										
-										
.X ±1.00										
.XX ±0.64										
.XXX ±0.38										

DWN.	UNIT	mm			
CHK.	SHEET	OF	REV.	0.0	