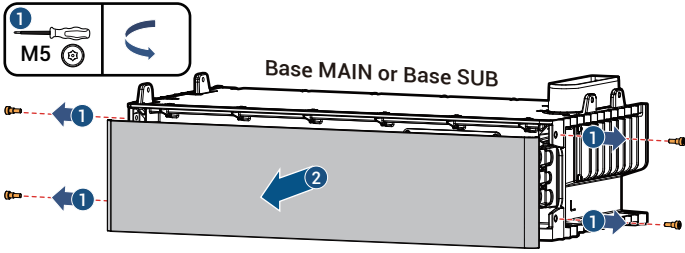
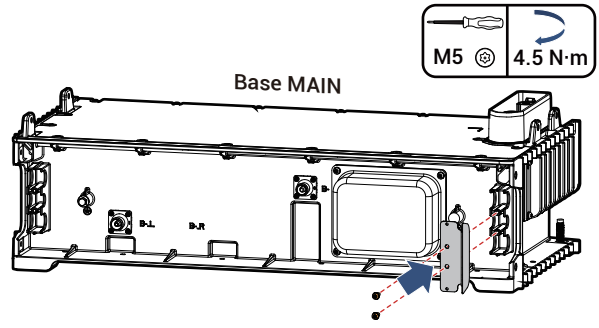




4

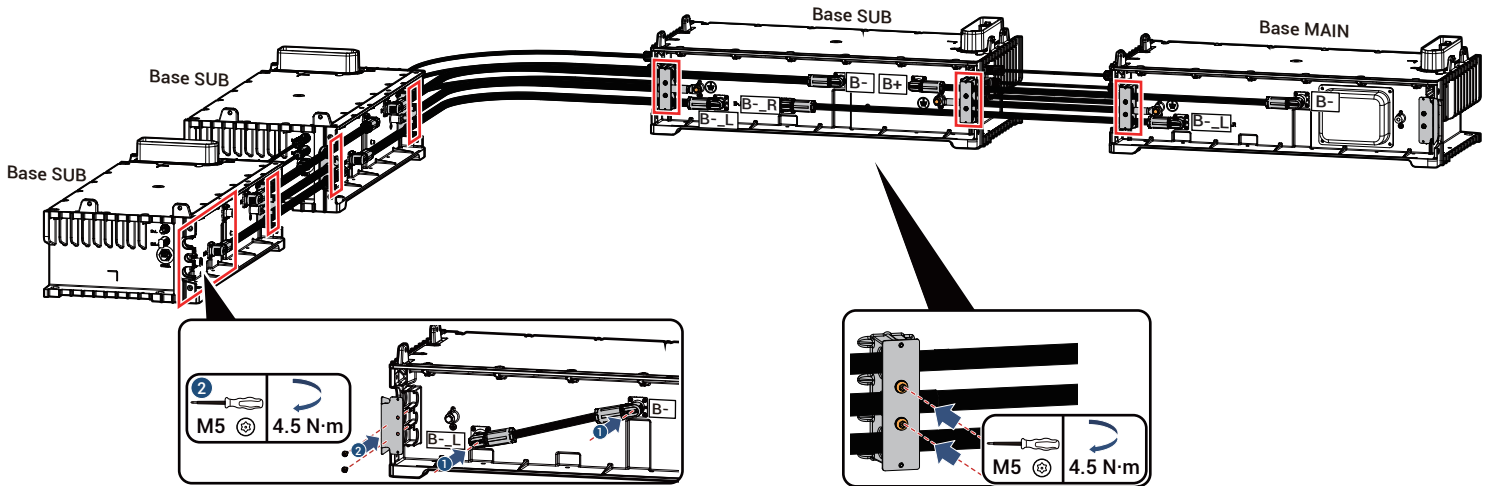


5

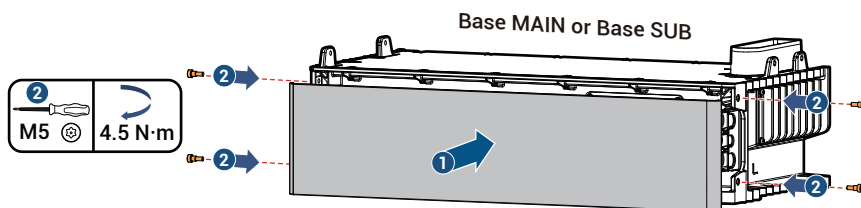


6

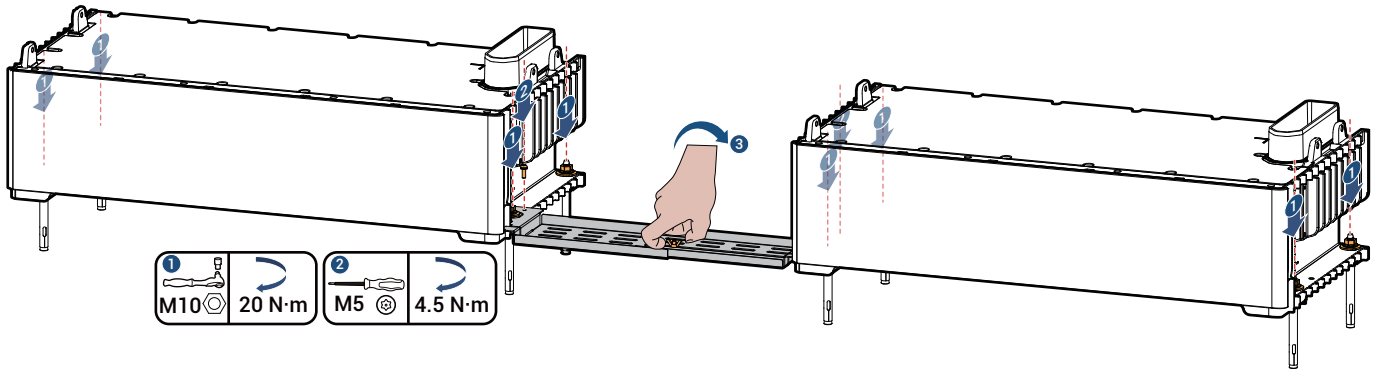
Connection between Base SUB and Base SUB		Connection between Base SUB and Base MAIN		Wiring diagram	
Base SUB	Base SUB	Base MAIN			
B+	B-	B+	B-	Base MAIN-0.5C/Base SUB-0.5C	Base MAIN-1C/Base SUB-1C
B <sub>-R</sub>	B <sub>-L</sub>	B <sub>-R</sub>	B <sub>-L</sub>		
				M8 8-10 N·m	
B <sub>+R</sub>	B <sub>+L</sub>	B <sub>+R</sub>	B <sub>+L</sub>		
BAL <sub>R</sub>	BAL <sub>L</sub>	BAL <sub>R</sub>	BAL <sub>L</sub>		
COM <sub>R</sub>	COM <sub>L</sub>	COM <sub>R</sub>	COM <sub>L</sub>		



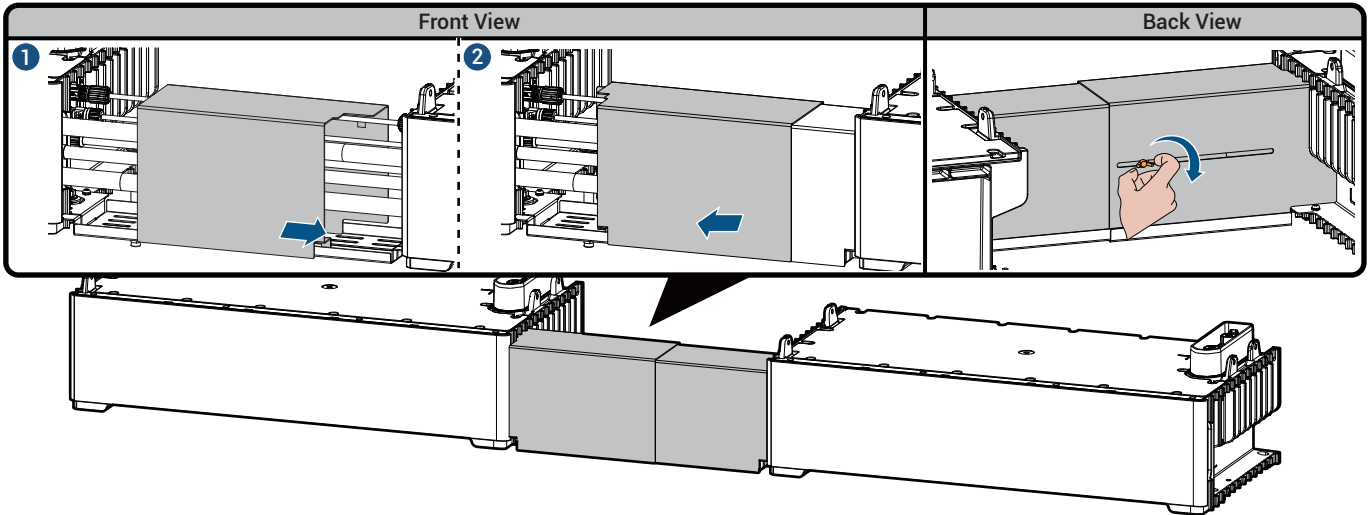
7



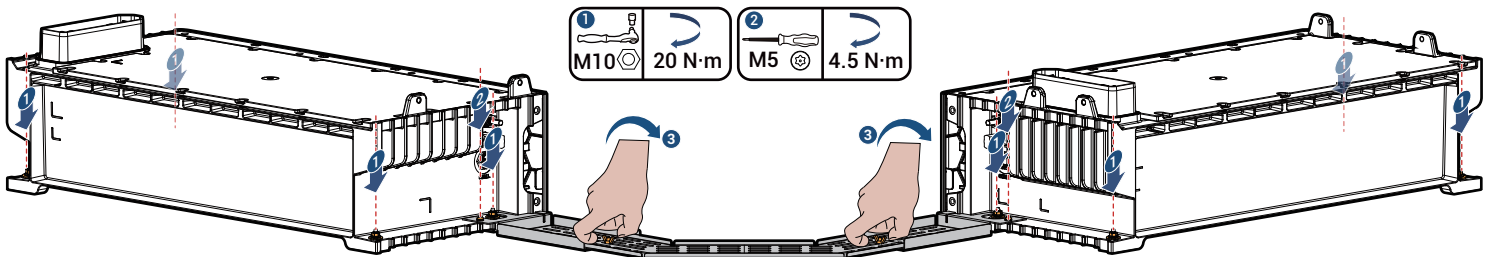
8



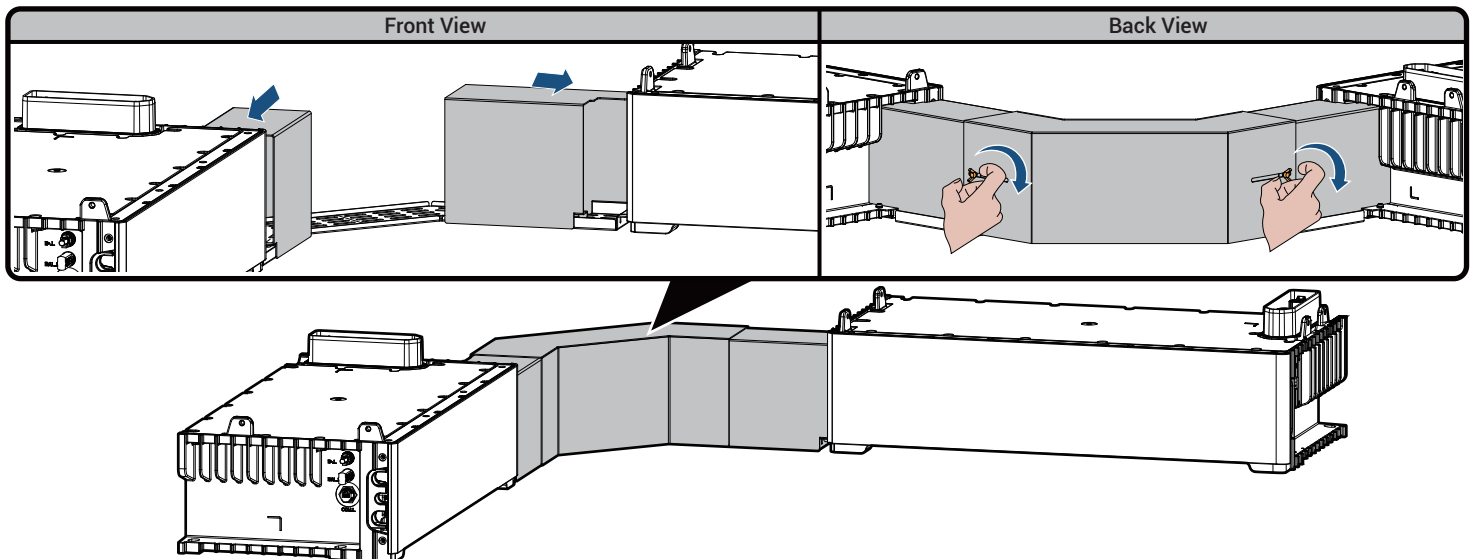
9



10



11



Due to product upgrades or other reasons, this document will be updated irregularly. Please visit our official website ([www.sigenergy.com](http://www.sigenergy.com)) to obtain the latest version. The printed materials inside the box will not be collected and reprinted. Unless specially agreed upon, this document serves as a user guide only, and its contents cannot replace product labels or manuals. The device warranty does not cover damage caused by not following the instructions in this document and manual.