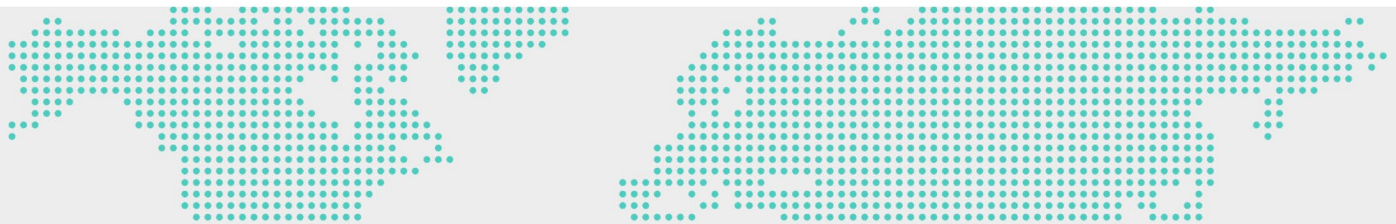


SigenMicro (400-1000) Photovoltaic Micro Inverter Installation Guide



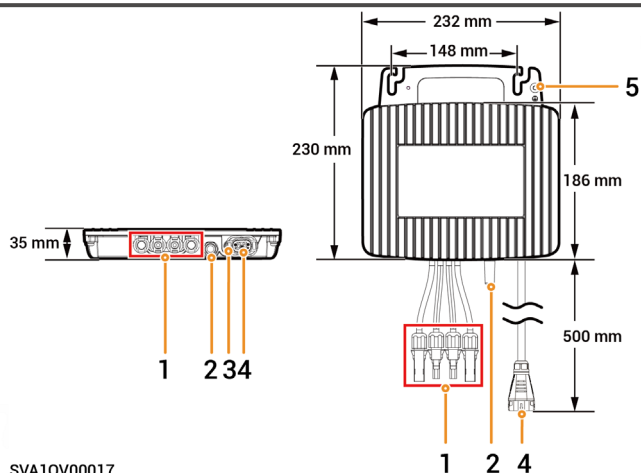
Version: 01
Release date: 2026-03-18



⚠ Caution

- Only trained or qualified persons with electrical engineering knowledge can work directly on the equipment.
- Operators should be familiar with national and local laws, regulations, and standards, and the compositions and operating principles of relevant systems.
- Before operations, please carefully read operating requirements and precautions in this document and Important Notice. Any equipment damage caused by improper operation will not be covered under warranty.

1 Introduction to Product Appearance



SVA10V00017

No.	Name	Marking	Description
1	DC terminal block	SigenMicro 400 and SigenMicro 500	PV1+/PV1- A PV panel can be connected
		SigenMicro 800 and SigenMicro 1000	PV1+/PV1- /PV2+/PV2- Two PV panels of the same model can be connected
2	Antenna	-	-
3	Indicator	-	-
4	AC terminal	-	-
5	Grounding screw	-	-

2 Inspections Before Installation

- Check whether the components are entirely supplied against the packing list and whether the appearance is in good condition. For any problem, contact your sales representative.
- Parts and accessories supplied with the packing box are personal assets of the owner and must not be taken away from the installation site.
- Check and ensure the completeness of personal protective equipment and installation tools; replenish if necessary.
- Check and ensure the correctness of quantity and specifications of the installer-provided cables; re-prepare if necessary.

Personal Protective Equipment



Safety hat



Goggles



Dust mask



Protective gloves



Insulating gloves



Insulating shoes



Safety rope

Installation Tools



Power drill



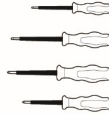
Wire cutter



Wire stripper



Cable ties



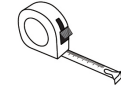
Insulated
screwdriver set



Torque socket
wrench



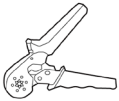
Marker



Tape measure



Multimeter



Cold terminal
crimping pliers
(hexagon)

Installer-provided Cables

Caution

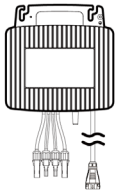
The specifications of installer-provided cables shall conform to the regulations and standards on cables in the countries/regions where they are located.

No.	Cable Name	Recommended Specification
1	Casing protective grounding wire	Outdoors single-core copper flexible cable Cross-sectional area of the conductor: 4 mm ²

3 Site Requirements

Tips

- Before installing the equipment, be sure to read the following installation requirements carefully. The company will not bear any responsibility if the equipment malfunctions, is damaged, or even causes a personal safety accident during operation due to failure to operate as required.
- During actual installation, the selection of installation location should comply with local firefighting, environmental protection regulations, and other relevant laws. The specific installation location planning should be subject to the installer or engineering, procurement, and construction (EPC) contracts.



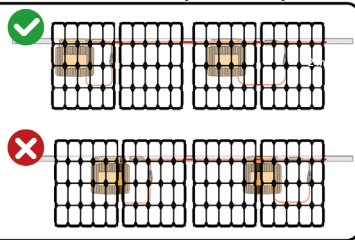
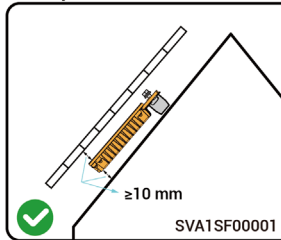
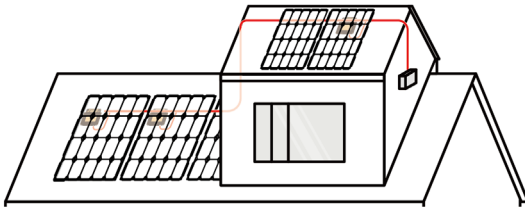
Relative humidity of 0% RH-100% RH



Ambient temperature of -40°F-149°F (-40°C-65°C)



Roof installation



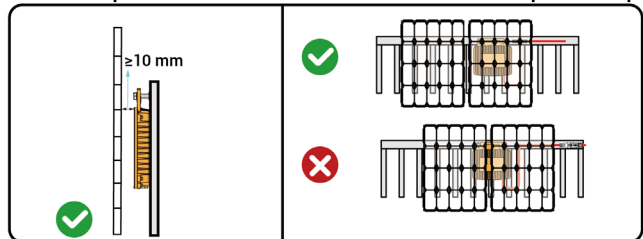
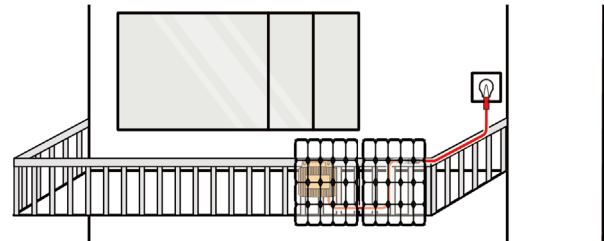
- Do not install the equipment in a smoky, flammable, or explosive environment.
- Do not install the equipment on a flammable base.
- Avoid exposing the equipment and the AC bus connector to direct sunlight, rain, standing water, snow, or dust. Install the equipment in a sheltered place.

Caution

Please ensure that the router's WLAN signal can establish a stable connection with at least one inverter and that there are no obstructions between inverters. If this cannot be met (including but not limited to long distances between devices or between the device and the router, or the presence of obstructions such as color steel tiles or metal sheets that shield WLAN signals), please install an outdoor wireless AP. You can purchase the wireless AP from our Company. For wireless AP integration relationships, see the FAQ. For appearance, installation, and use, see the wireless AP product manual.

Balcony installation

This scenario only supports the installation of one inverter.

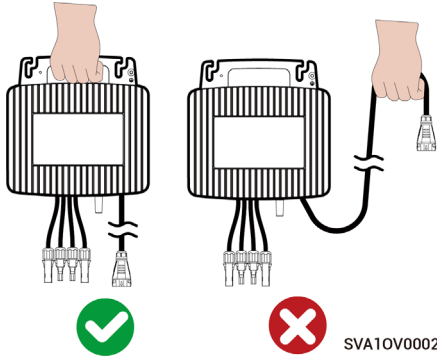


For this scenario, you may install the equipment underneath the PV panels or choose another location meeting the site requirements. The illustration is for reference only.

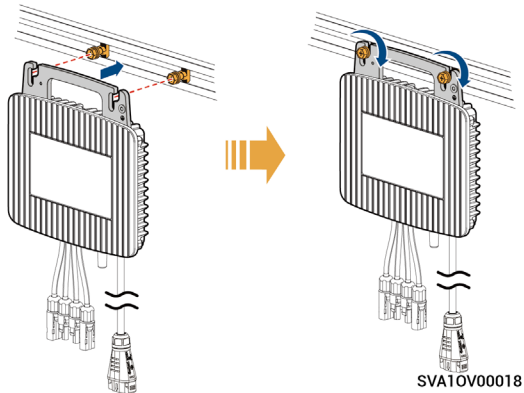
4 Installation

Tips

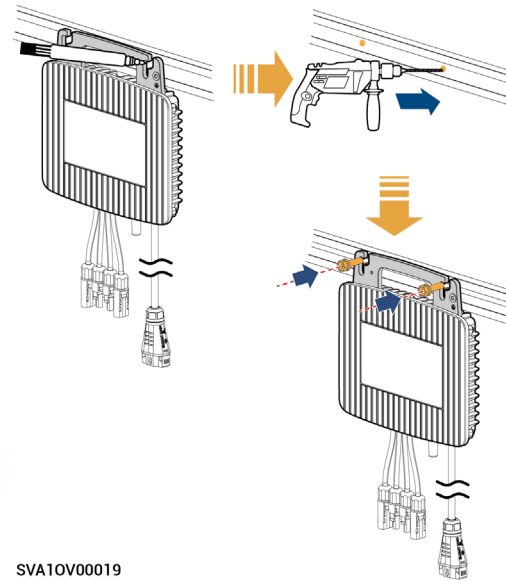
- The screws used to fix the equipment must be prepared by users.
- Screws per inverter: 2 × M8.



Roof installation



Balcony installation



5 Cable connection and equipment QR code pasting

⚠ Caution

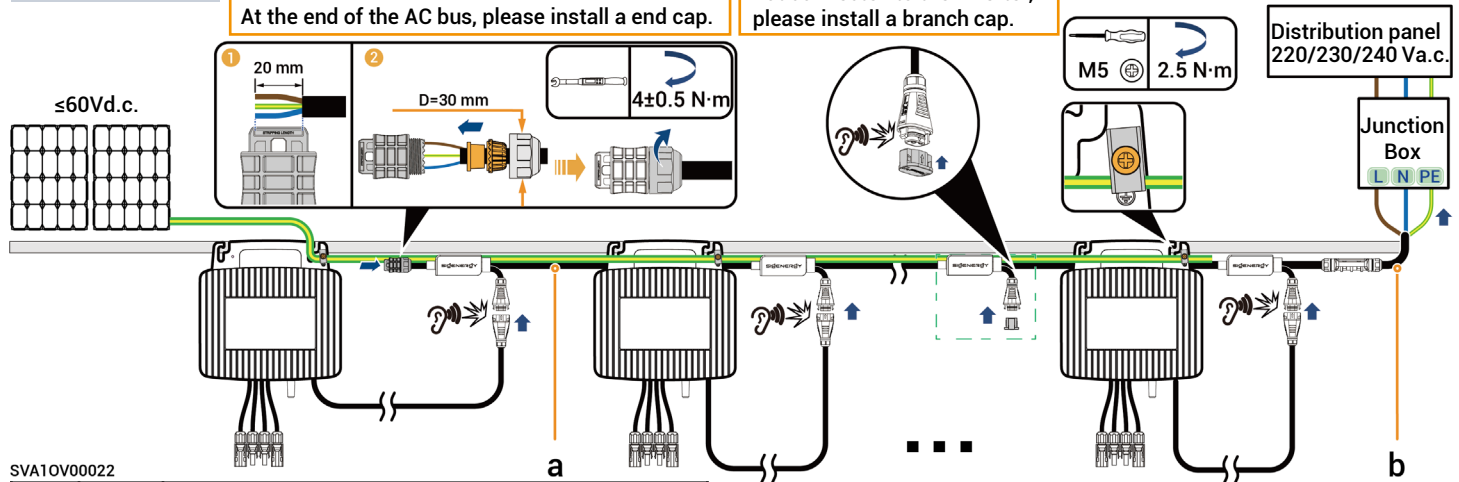
- When the inverter is connected to other equipment, L, N, and PE shall be connected in sequence, and cannot be mixed. The wiring operation must comply with the cable regulations and standards of the country or region where you are located.
- Before wiring, use a multimeter to confirm that the grid voltage complies with SigenMicro's AC output specifications.
- To extend the lifespan of the cable ties, avoid exposing them to direct sunlight when bundling cables.

5.1 Earth wire and AC cable connection

Multiple inverters

At the end of the AC bus, please install a end cap.

When the AC bus connector is not connected to the inverter, please install a branch cap.



SVAT10V00022

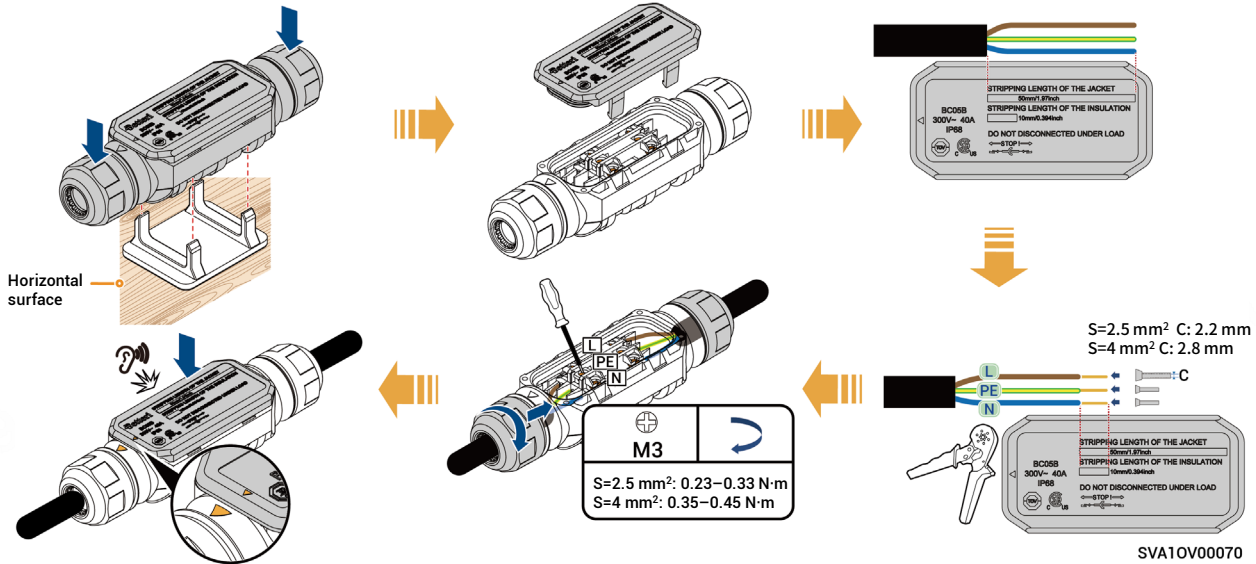
No.	Name	Description
a	AC bus	Required. Please purchase cables and related accessories from our company.
b	/	Options: if the length of cable at this position of the AC bus is insufficient, please provide the cable yourself. For details about the cable specification, refer to the specification of the AC bus purchased. Please purchase the required extension connectors from our company. For the operation steps, refer to "AC bus extension."

Reference for AC bus purchase and selection	
Spacing of AC bus connector	Mounting direction of PV panel
1.1 m	Vertical
2.3 m	Horizontal

AC bus extension



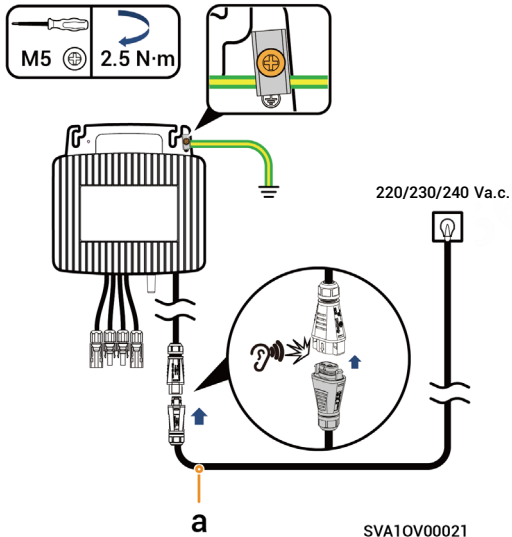
During operation, if a situation occurs as shown in this diagram, restore to the original position and try again.



⚠ Caution

- When extending cords, connect the cables correctly according to the connector port labels.
- After handling the AC bus connector, please ensure that the screws and nuts at both ends have been tightened.

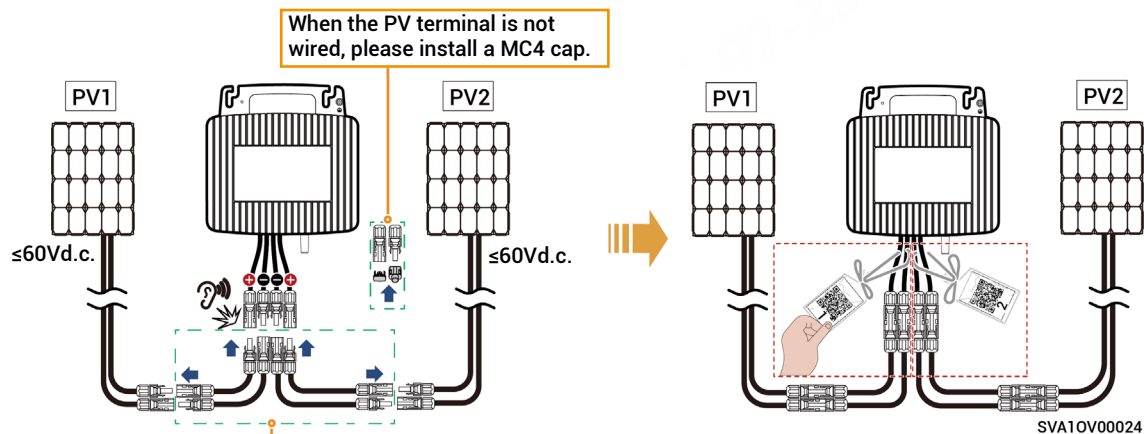
Single inverter



No.	Name	Description
a	AC adapter cable	Required. Please purchase cables and related accessories from our company.

5.2 DC cable connection and equipment QR code pasting

DC cable connection



Equipment QR code pasting

Tips

- Please paste the QR code according to the actual connection between the PV panel and the inverter, so that you can create of a new system on the App subsequently.
- The label paper of the QR code is rectangular, and can represent the PV panel. You can paste it according to the actual mounting direction of the PV panel (horizontal, vertical, or diagonal).
- Our company will provide 2 types of INSTALLATION MAP (paper for affixing QR stickers). Please choose them according to the actual situation. The illustrations in this section are for reference only.

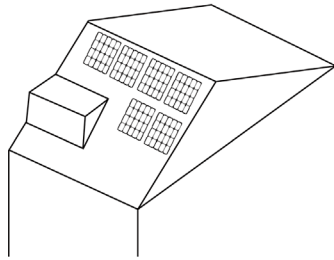
Tips

After the cable connection, you are recommended to remove the equipment QR code before installing the photovoltaic panel.

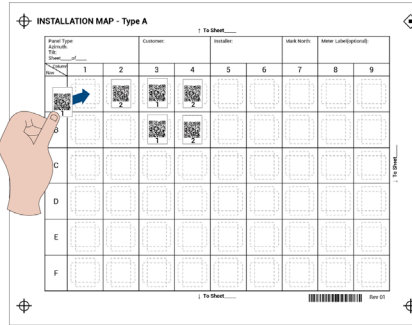
Caution

During the operation, please keep the locating anchor points at the four corners of the INSTALLATION MAP intact and clear. Do not cover or smear them with foreign objects.

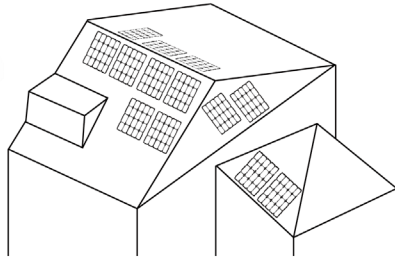
When PV panels are installed in an orderly layout, use Type A.



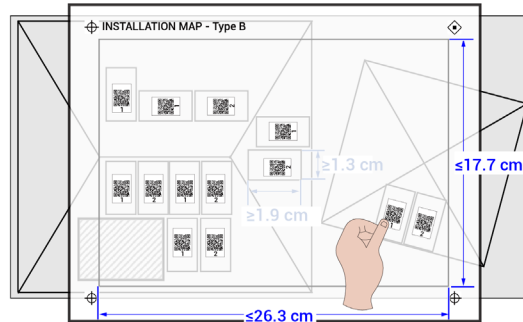
SVA10V00025



Use Type B when PV panels are installed irregularly and a layout diagram is available



SVA10V00026



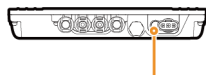
If the power station layout diagram is scaled according to the size requirements, and cannot be contained on one drawing, the layout diagram can be divided into multiple drawings.

Use Type B when PV panels are installed irregularly and there is no layout diagram available






You can plan the location where the QR code is pasted on the Type B-shaped paper by yourself, which is recommended to be consistent with the actual layout of PV panels.

7 Power-on

1. Check that the cables have been correctly connected.
2. Turn on the upstream AC switch of the inverter, and observe the indicator.



Indicator

Color	Status	Meaning
	Blink	The system generates electricity normally, the equipment is successfully connected to the grid, and the communication is normal.
	Blink	The system generates electricity normally, the equipment is successfully connected to the grid, but the communication is abnormal.
	Steady on	The equipment is in standby mode, waiting for the app to issue the startup command.
	Blink	The equipment is not connected to the grid, or a grid anomaly is detected.
	Steady on	Hardware protection, such as DC-side abnormal ground impedance protection, over-temperature protection, and relay fault.

Tips

- After factory shipment, the SigenMicro defaults to standby mode. When DC power is applied, the green LED flashes for about 6 seconds before turning solid green, indicating that the SigenMicro is in standby mode.
- If the SigenMicro has been configured to start up, after the DC power is applied, the green LED flashes for about 6 seconds, then stays solid green for about 3 seconds, followed by flashing green, indicating that the SigenMicro is starting up.

8 Download and Startup of mySigen App

Downloading the App



Registering an Installer Account

- It is recommended that your installer registers an account for completing the system creation process.
- After the installer completes the operation, notify the owner to check the "sigencloud" email within 24 hours and activate the account.

Method 1:

Please visit our company website (<https://business.sigencloud.com/business-service/user/register>) and complete the account registration according to your actual situation.

Method 2:

Open the App, tap the "Sign Up" button at the bottom, and complete the account registration according to your actual situation.

Owner Account Registration

If an inverter is installed on a balcony and no inverter installer is available, the owner can complete the new system creation operation on their own.

Open the App, tap the "Sign Up" button at the bottom, and complete the account registration according to your actual situation.

Creating a New System

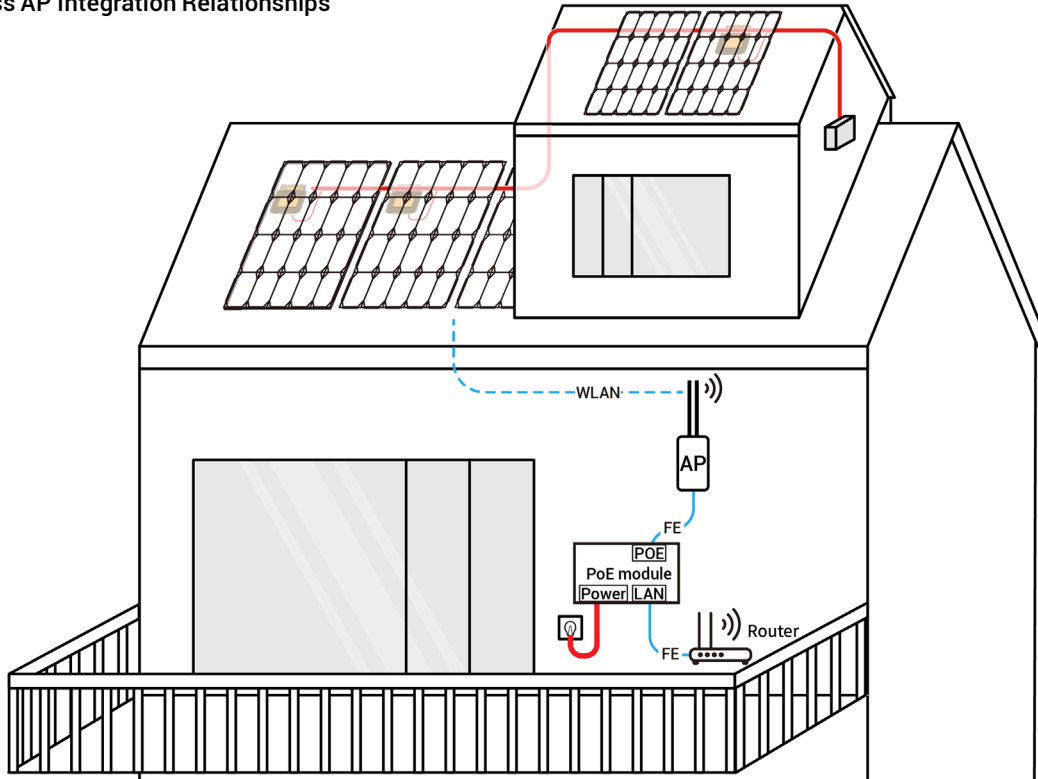
For detailed system creation operations, please refer to the "[SigenMicro Series PV Microinverters](#)" section in the "mySigen App Creating New Systems Guide".

Tips

After the installer completes the system creation operations, if any devices are found not to have been added during the system creation process, unavailable devices need to be removed. If the removal operation cannot add devices, we recommend installing an outdoor wireless AP to strengthen the WLAN signal. Wireless APs are available for purchase from our company.

■ FAQ

● Outdoor Wireless AP Integration Relationships



SVA10V00073

Tips

To ensure proper operation of the AP, connect the cables according to the connection diagram. After wiring, log in to the AP configuration page to configure the name and password. For detailed configuration instructions, refer to the AP documentation.

■ FAQ

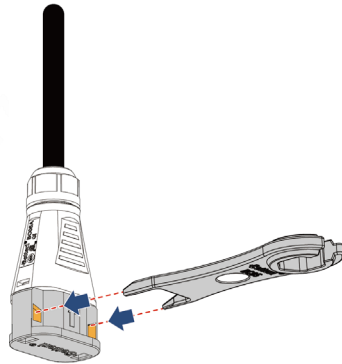
● When is it necessary to install a WLAN meter?

If you have export/import limitation requirements or want to view household electricity consumption, please install a WLAN meter. Please purchase WLAN meters from our company.

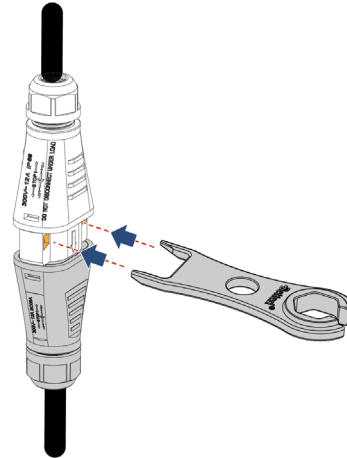
Available models:

- Sigen Sensor TP-CT100-WI ([Click to view details](#))
- Sigen Sensor SP-CT100-WI ([Click to view details](#))

● How to remove the terminal?



SVA10V00061



Sigenergy Technology Co., Ltd.



Website

LinkedIn

YouTube

www.sigenergy.com



Copyright © 2026 Sigenergy Technology Co., Ltd. All rights reserved.

The information provided in this document is for reference only. The information in the document is legally collected and maintained as reliable, accurate, and complete as possible, but the accuracy or completeness of the information described in the document is not guaranteed. This document is not intended as a moral, responsible or legal basis or evidence. Sigenergy Technology Co., Ltd. will supplement, correct and revise relevant information at any time, but will not guarantee its timely release. Sigenergy assumes no responsibility for the information provided in this document or for any direct or indirect effects or consequences arising therefrom. The copyright of this document is only owned by Sigenergy Technology Co., Ltd., and shall not be reproduced, copied, or published in any form by any organization or individual without prior written permission. Sigenergy Technology Co., Ltd. reserves the right to modify and the final right to interpret the terms of this disclaimer.