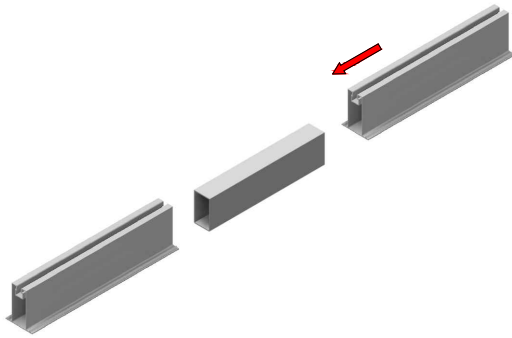
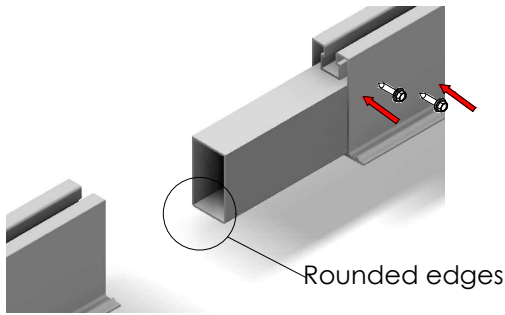


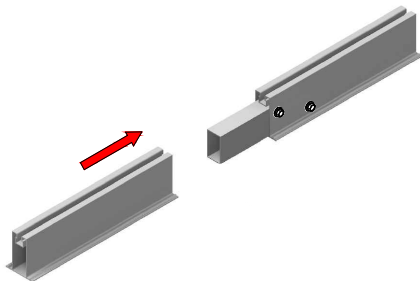
Aggregation of the junction with the rail



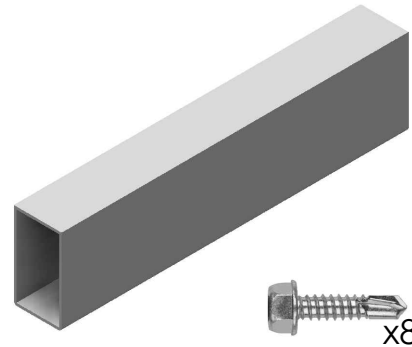
Insert half of the UG2-EN into the inside of the G2-EN rail. The rounded edges of the UG2-EN face downwards.



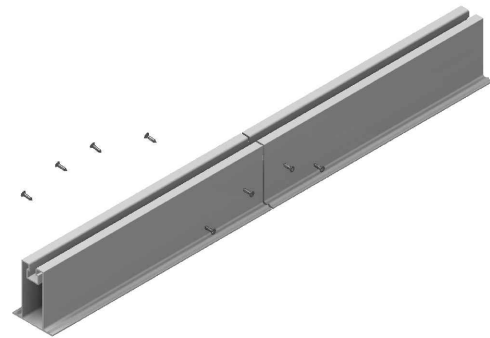
Screw the rail G2-EN to the connection UG2-EN with 8 fastening screws, 4 on each side of the rail..



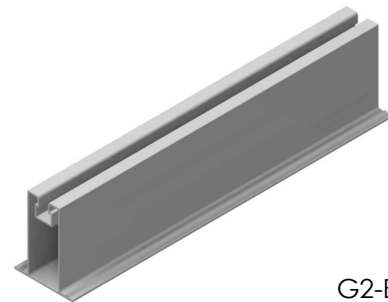
Insert the rest of the UG2-EN into the other G2-EN rail until the two rails touch each other and screw the rail to the joint with 8 fixing screws, 4 on each side of the rail.



x8



For guide rail



G2-EN

Length: 200 mm

Specifications

Description	Connection for G2-EN rail: for continuous installation of panels.
Length	200 mm
Features	Fasteners: A2-70 stainless steel Profiling: EN AW 6005A T6 (raw or anodised)
Compatible rail	G2-EN
Fastening screws	8 Screws hexagonal M6.3 (Screws included)
Tightening torque	Screw M6.3 hexagonal: 10 Nm

Tools required:



Sunfer Estructuras, S.L.U.

Safety:



100% Recyclable

Marking **ES19/86524** CE

www.sunferenergy.com

Subject to change without notice. Product illustrations are for illustrative purposes only and may differ from the delivered product.