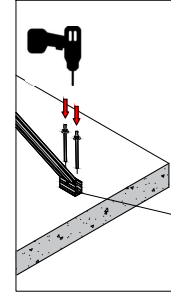
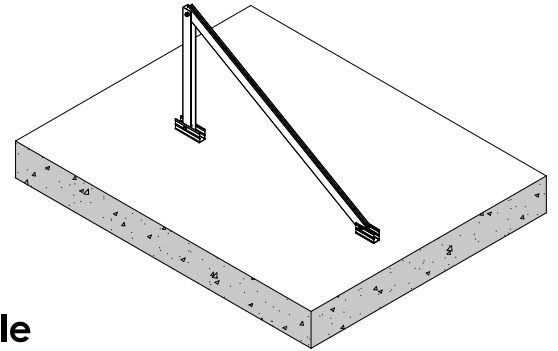
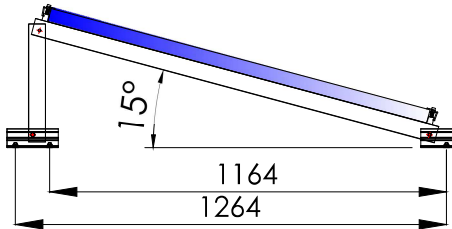


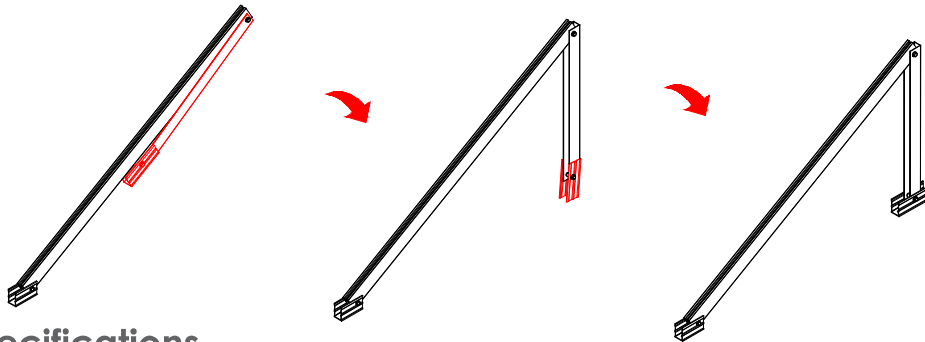
Concrete slab



Anchor screws  
Max. M10



### Deployable Triangle



### Specifications

Description	Triangle for open support for modules up to 2400mm.
Installation surface	Flat roof
Anchoring surface	Concrete
Features	Fasteners: A2-70 stainless steel Profiling: EN AW 6005A T6 (raw or anodised) Horizontal arrangement of modules
Anchoring points	3 Anchoring points (Max. M10)
Tightening torque	Screw M8 Hexagonal: 20Nm
Anchor screws	Max. M10 (Not included)
Inclination	15°

Tools required:



Sunfer Estructuras, S.L.U.

Safety:



100%  
Recyclable

Marking  
ES19/86524 CE

www.sunferenergy.com

Subject to change without notice. Product illustrations are for illustrative purposes only and may differ from the delivered product.