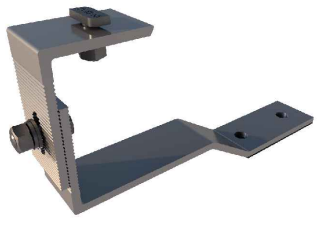
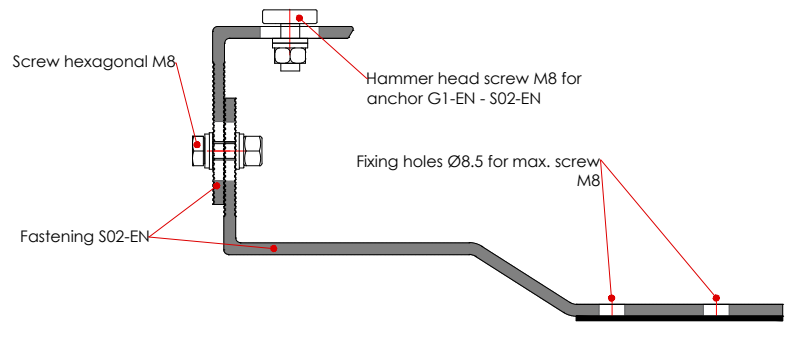
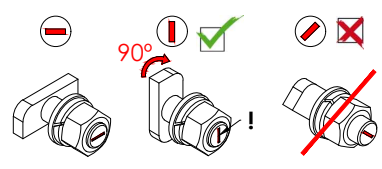
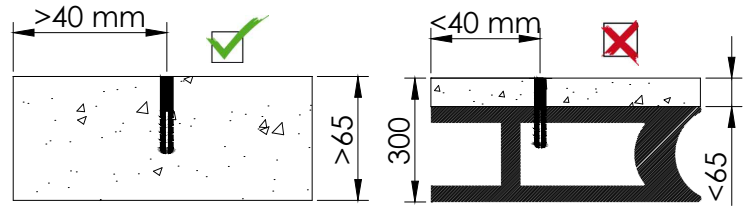


Concrete slab

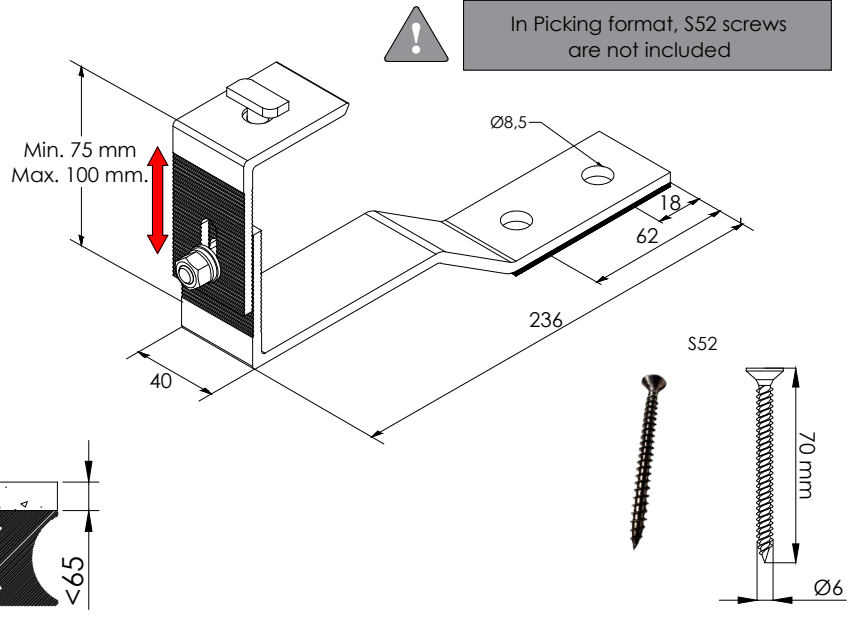


anchor not included

Minimum concrete thickness: 65 mm
Minimum edge distance: 50 mm



See file S74



Tensile strength = 7,1 [kN]

Specifications

Description	Fixing of tiled roof with roof hooks
Length	236 mm
Height	75-100 mm
Anchoring surface	Concrete slab. Concrete slab HA-25 [Chemical dowel].
Compatible guide rail	G1-EN
Materials	Screws: A2-70 stainless steel Trim: Aluminium EN AW 6005A T6 (Raw or anodised) EPDM Screws for anchoring to concrete NOT included.
Pre-drill diameter	Concrete: according to screw (see dowel sheet)
Tightening torque	Screws M8 included: 20 Nm

Tools required:



Safety:



100% Recyclable

Marking ES19/86524 CE

Subject to change without notice. Product illustrations are for illustrative purposes only and may differ from the delivered product.