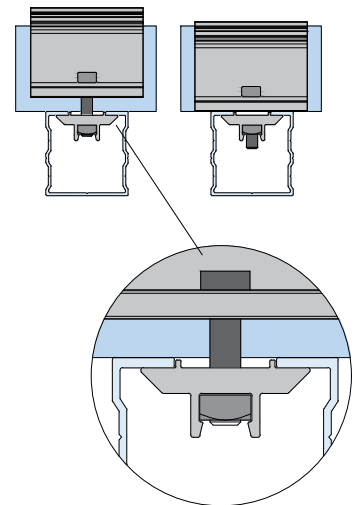
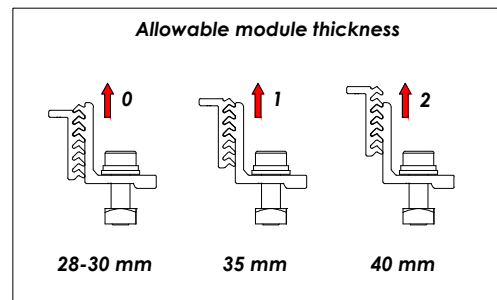


Insert the lower part of the clamp into the G3-EN profile and align the protrusions of the clamp in the groove of the profile.

Valid for module thickness from 28 mm to 40 mm.



Specifications

Description	Side clamp for profile G3-EN for panel mounting at both ends; start and end of module table
Admissible module thickness	28-40 mm
Clamp length	60 mm
Features	Fasteners: A2-70 stainless steel Profiling: EN AW 6005A T6 (raw or anodised)
Fastening	G3-EN
Tightening torque	Set screw: 10 Nm

Tools required:



Safety:



100% Recyclable

Marking
ES19/86524 CE