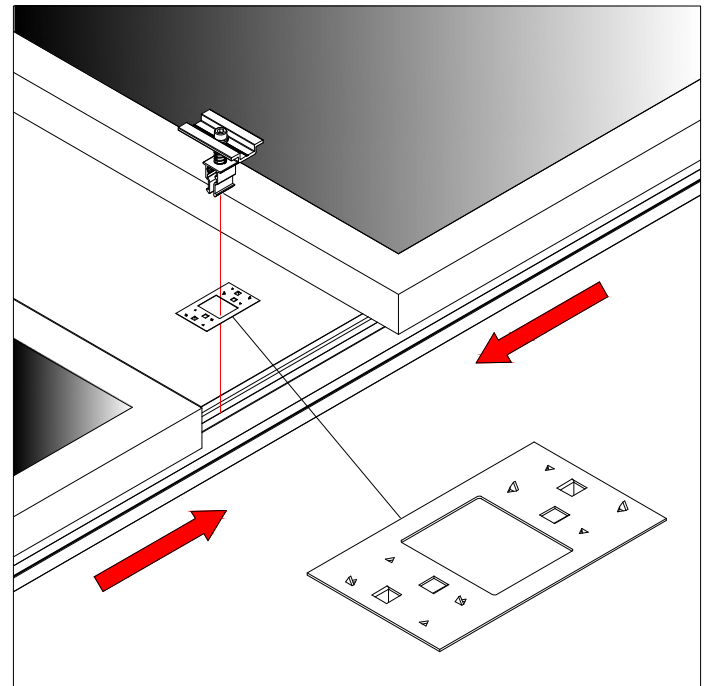
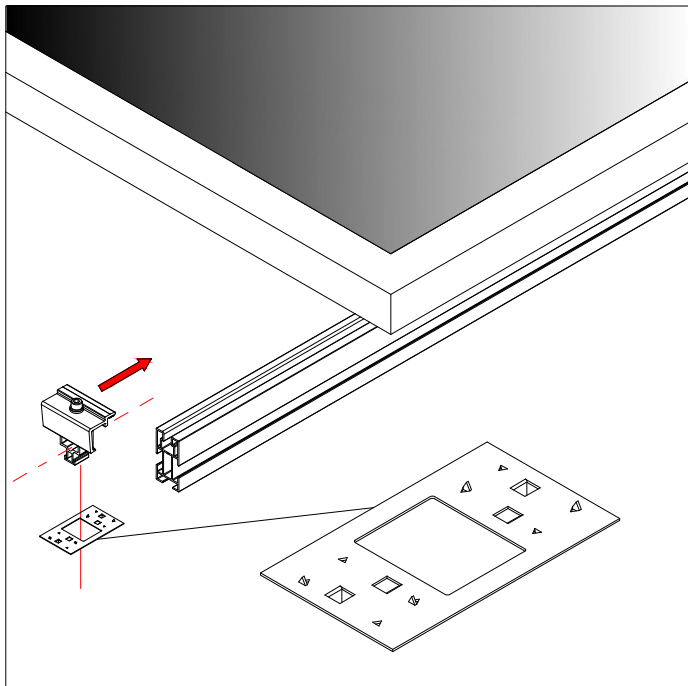
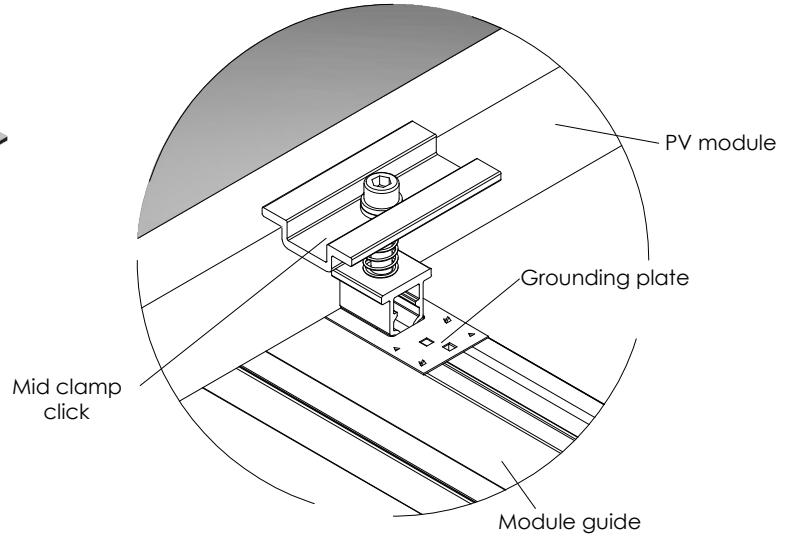


Mount the grounding plate with the pins facing downwards and centred on the top rail of the profile.



Specifications

Description	Grounding for clamps
Material	Stainless steel AISI 304
Compatible clamps	S10-EN, S10B-EN, S11-EN, S11B-EN

Safety:



Subject to change without notice. Product illustrations are for illustrative purposes only and may differ from the delivered product.