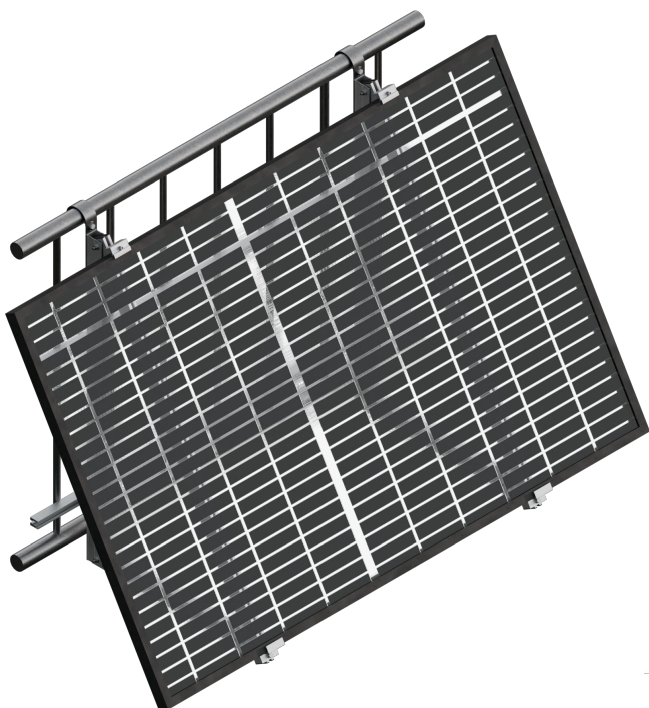


## Installations

Select 

### Balcony



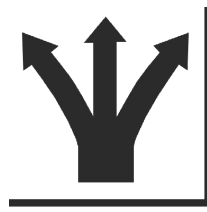
### Wall



### Flat roof

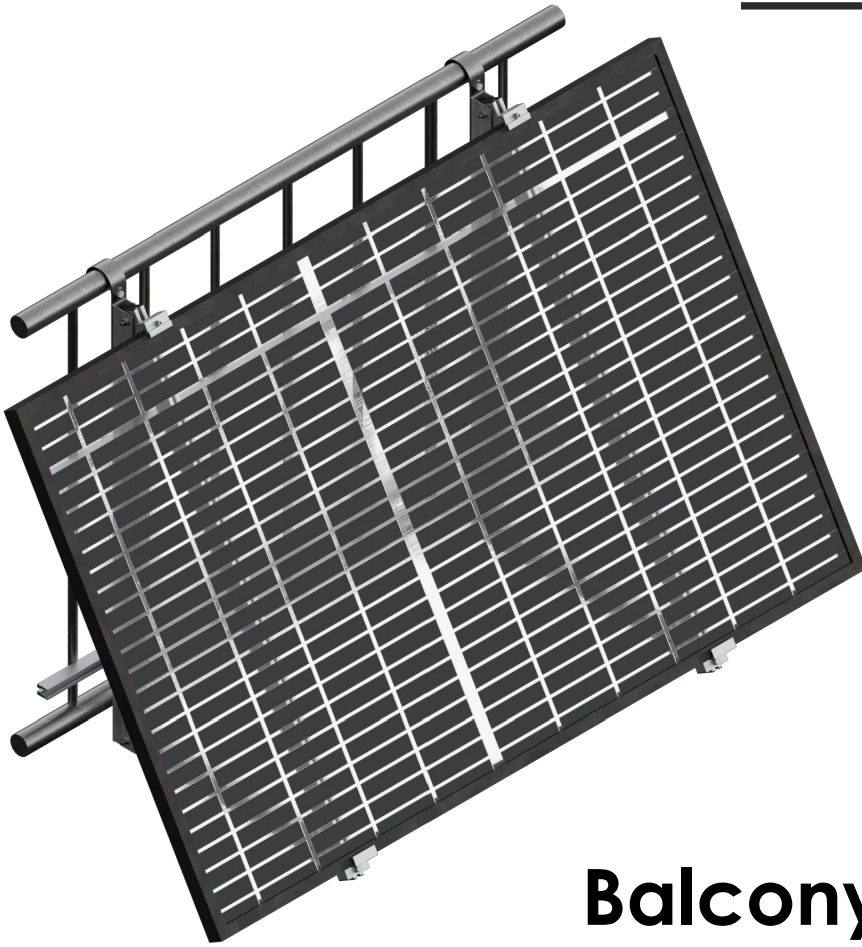


Sunfer reserves the right to make changes to the product and its associated documents at any time. The images in this document are for illustration only and may differ from the products provided.

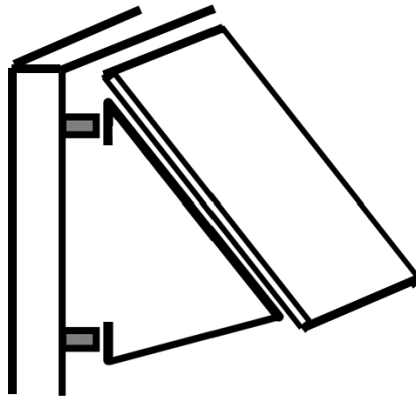


# SUNFER

## 66H-EN



### Balcony





## CONTENTS

1. **General information**
2. **Kit contents**
3. **Triangle assembly**
4. **Maximum admissible loads**
5. **Assembly video**
6. **Certificates and guarantee**

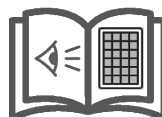
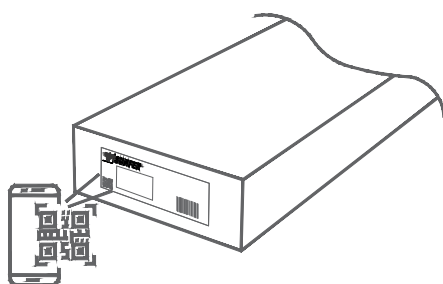


Return



### General information and recommendations **ENG**

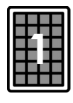
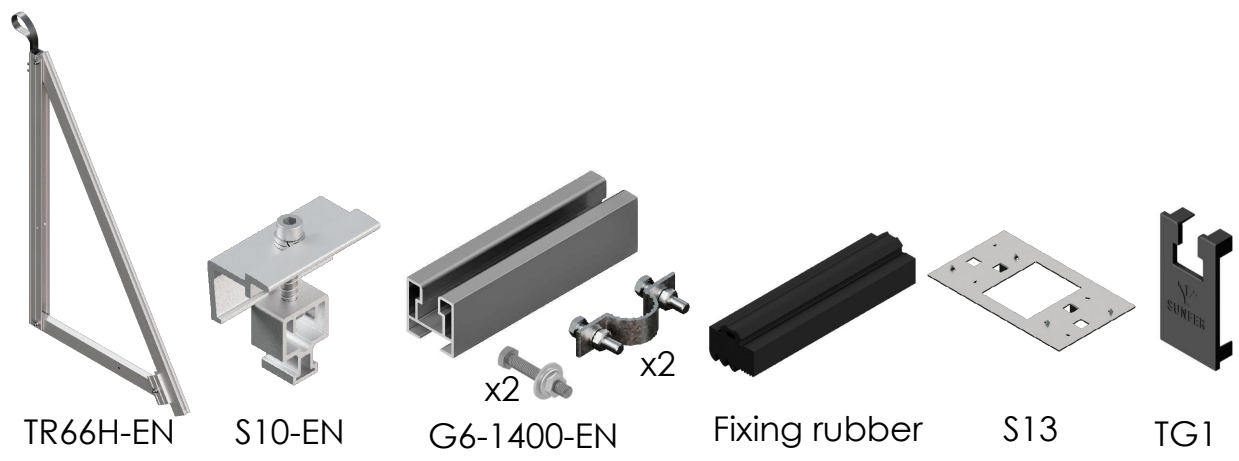
- All installation instructions and product specifications provided must be adhered to.
- Check the façade's condition and its carrying capacity. The photovoltaic installation's facultative management must guarantee beforehand that the installation surface, as well as the building's static, can resist the additional loads originated by the installation.
- The surface must be clean and dry. Any irregularities must be corrected or eliminated.
- Check the weathertightness of the mount once fastened.
- Place solar panels such that they are distributed symmetrically along the support, leaving equal overhangs at each end.
- Clamps must not be tightened using impact drivers.
- Check that the support attachment points are compatible with the solar panel manufacturer's specifications.
- Uninstallation must be carried out in reverse order from the installation.
- During the shipping of products take extreme care to maintain the integrity of the packaging. Store in a dry, well-ventilated area. Minimize exposure to large temperature differences and humidity. Avoid outdoor storage. Avoid sources of dripping water, puddles, splashing, or any other contact with water in the storage area. If the product becomes wet, immediately dry and clean as well as possible. Do not leave the product directly on the floor or ground where it may attract moisture. Store on the shipment's original pallet or on shelves.
- We reserve the right to make changes to our products at any moment without prior warning if, from our point of view, the changes are necessary for the improvement of the product. All illustrations in plans and catalogues are for example only and therefore may differ from the actual product provided.
- Aluminum components can be delivered in different finishes without compromising the structural solution. Available finishes: raw/anodised/lacquered.



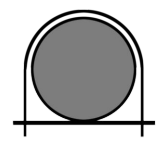
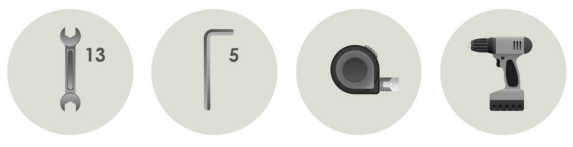
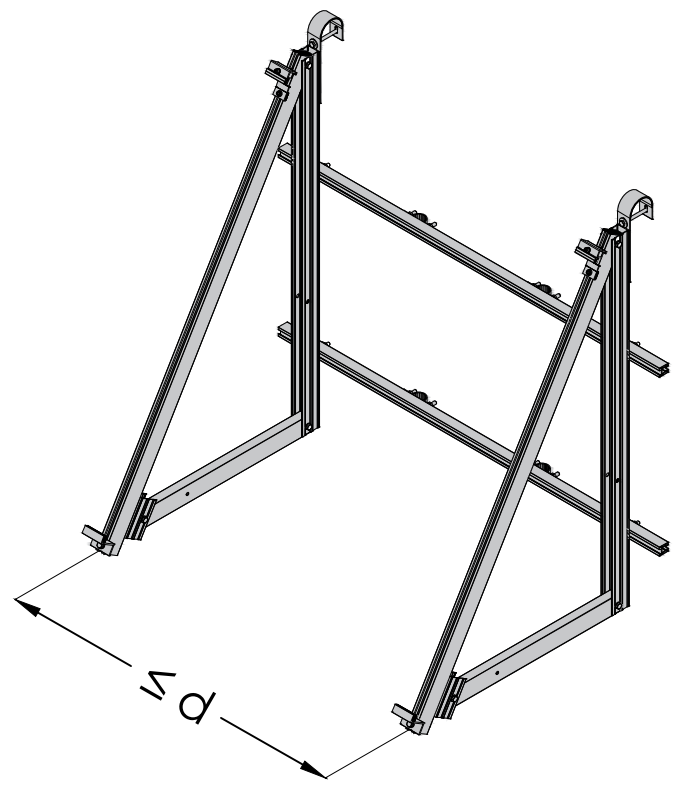
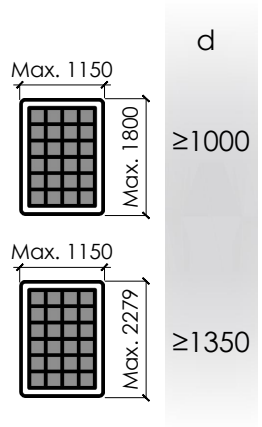


# 66H-EN

Kit contents



|   |   |   |   |   |   |
|---|---|---|---|---|---|
| 2 | 2 | 2 | 2 | 2 | 4 |
|---|---|---|---|---|---|



Clamp

EN AW 6005A T6 aluminum profiles

A2-70 stainless steel fasteners



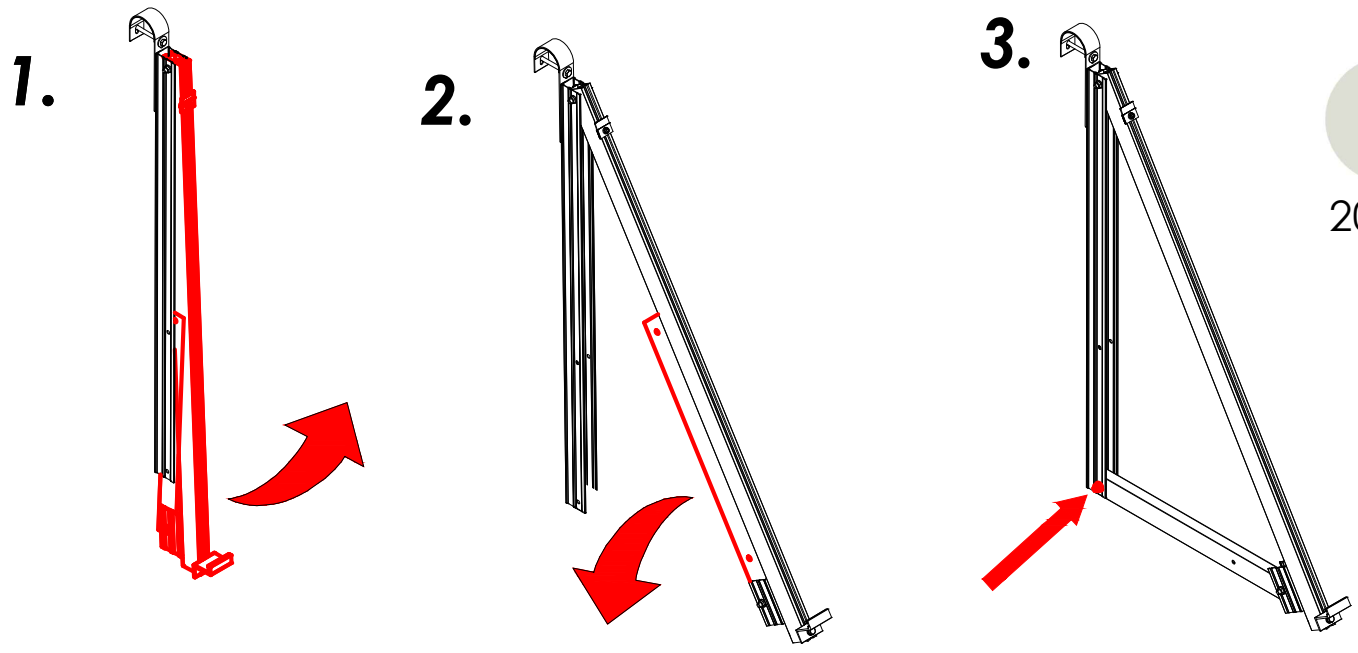
Sunfer reserves the right to make changes to the product and its associated documents at any time. The images in this document are for illustration only and may differ from the products provided.




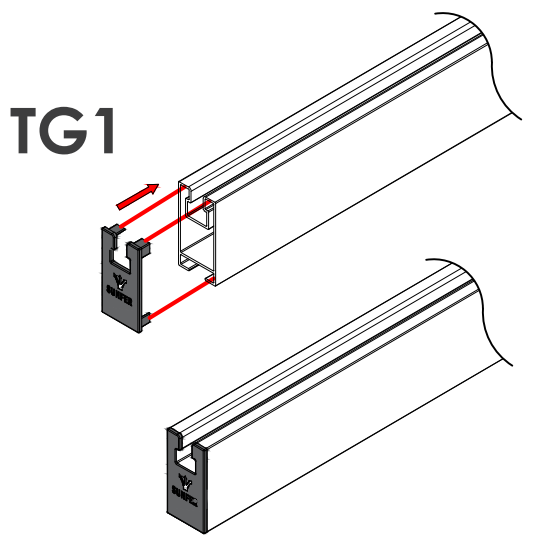
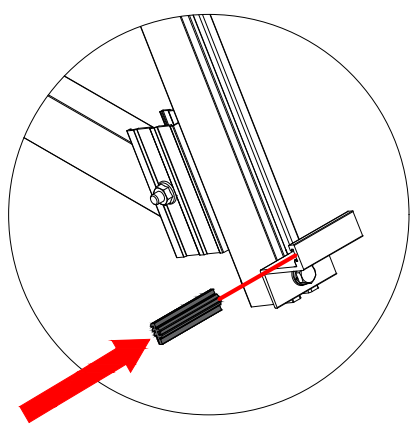
# 66H-EN

## Triangles assembly

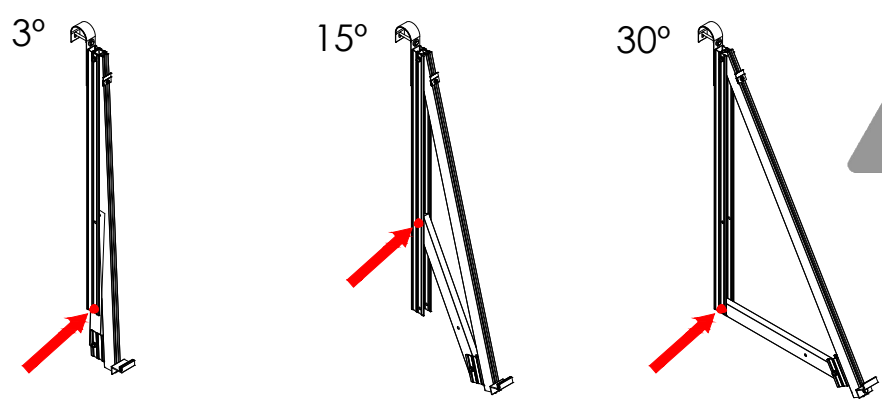
Sunfer reserves the right to make changes to the product and its associated documents at any time. The images in this document are for illustration only and may differ from the products provided.




 Place the fixing rubbers corresponding to the selected module thickness on the safety clamps. (See detail on module assembly page)



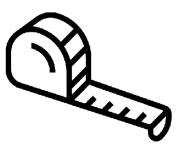
Depending on the desired inclination of the triangle, it must be screwed in a certain position marked by the existing holes in the upright and in the bottom chord.



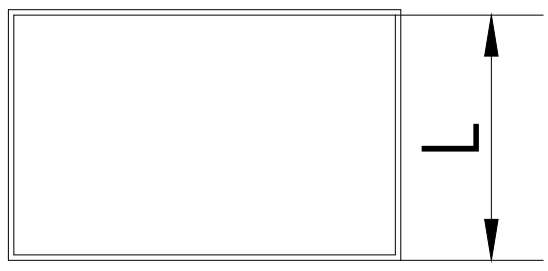
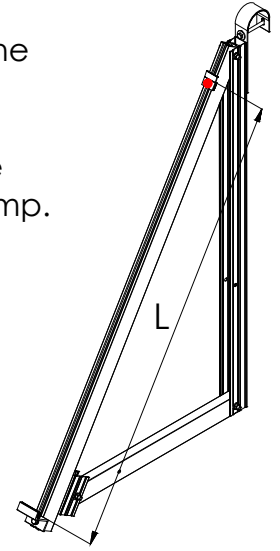
 Loosely attach the safety clip so that it can be tightened from underneath after the module has been mounted.



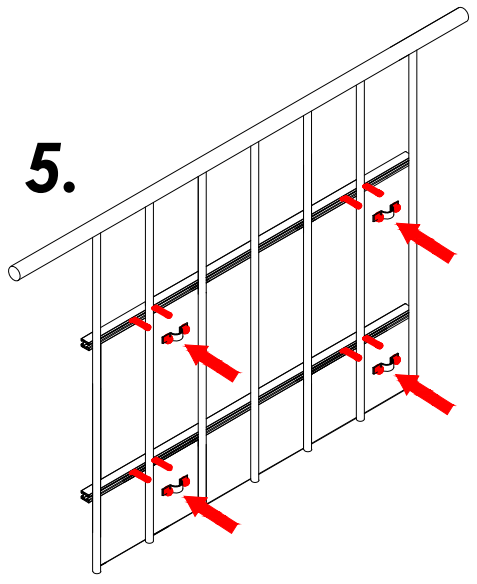
**4.** Measure the distance between the end of the module and the start of the rear flap of the module on the short side. Then position and tighten the fixing clip on both triangles to the distance obtained from the lower safety clamp.



20 Nm

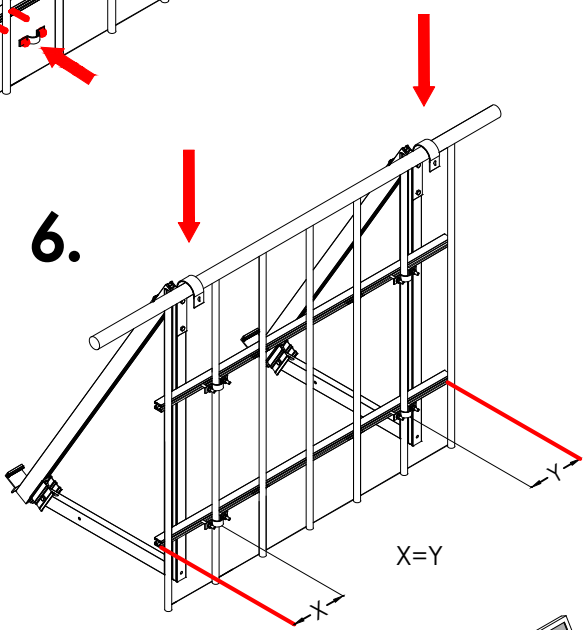


**5.**



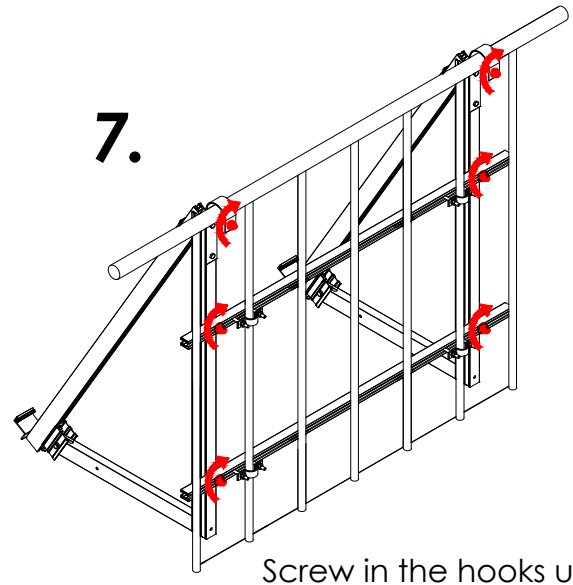
\* Anchor screws included

**6.**



X=Y

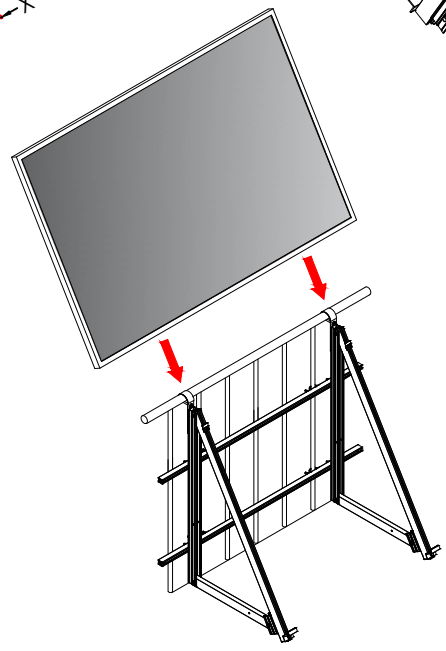
**7.**



Screw in the hooks until the shape of the railing is achieved.

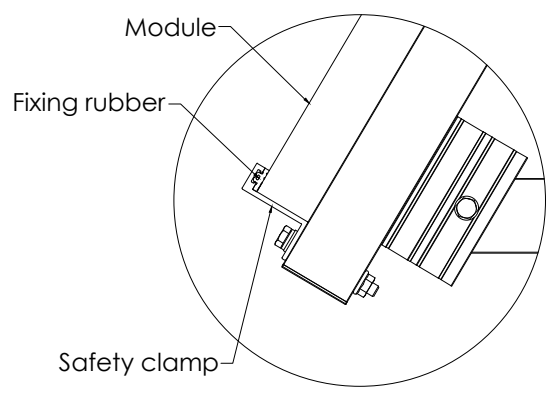
**8.**

Snap module mounting on the safety clamp.

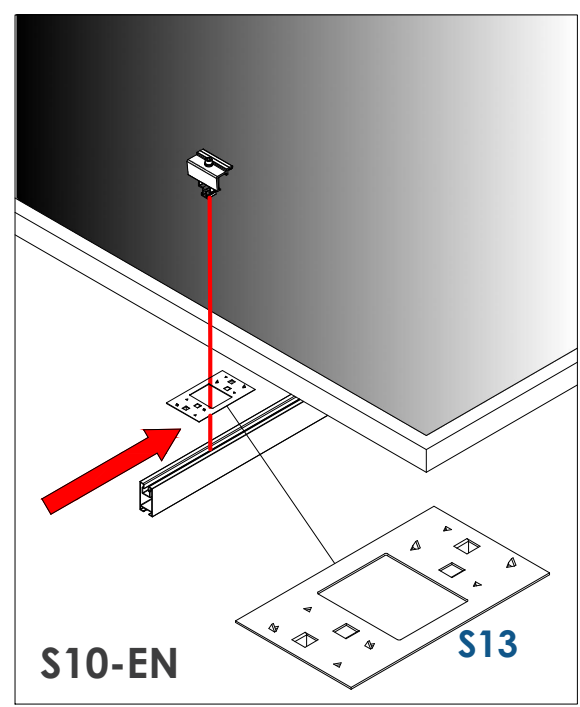
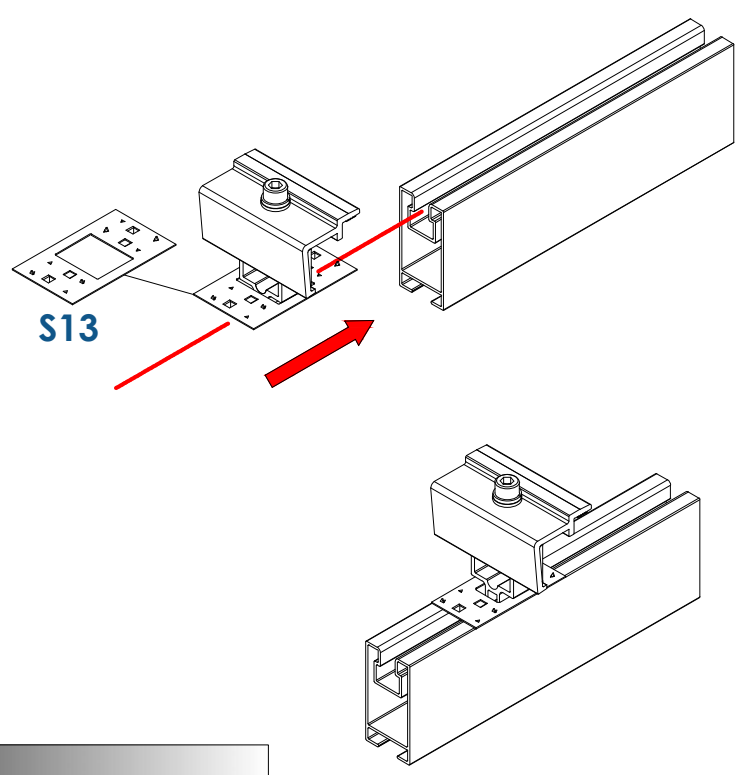
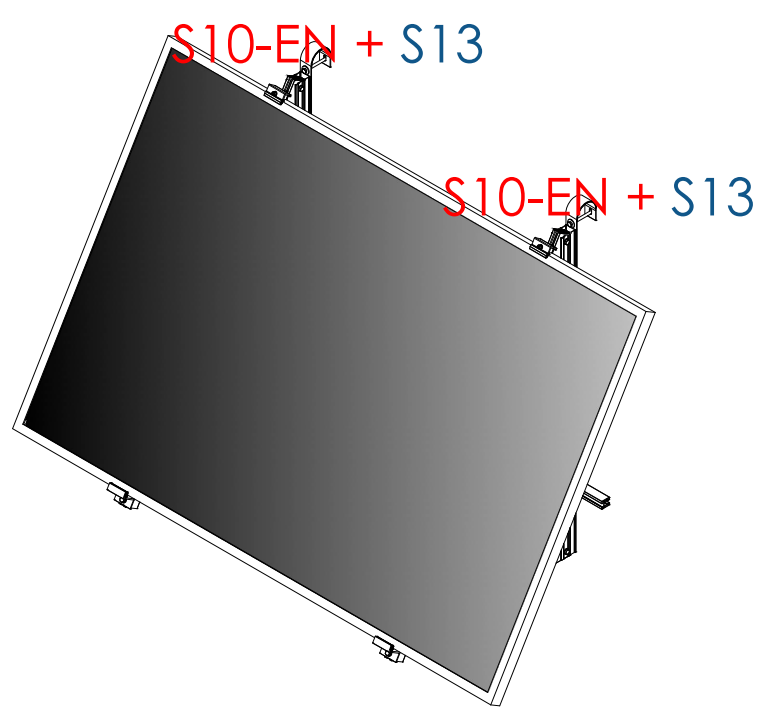
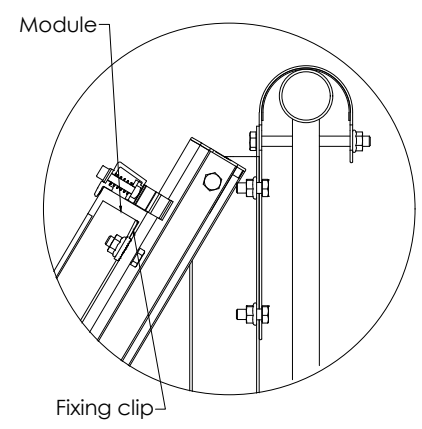


Sunfer reserves the right to make changes to the product and its associated documents at any time. The images in this document are for illustration only and may differ from the products provided.

Anchor detail  
module - safety clamp



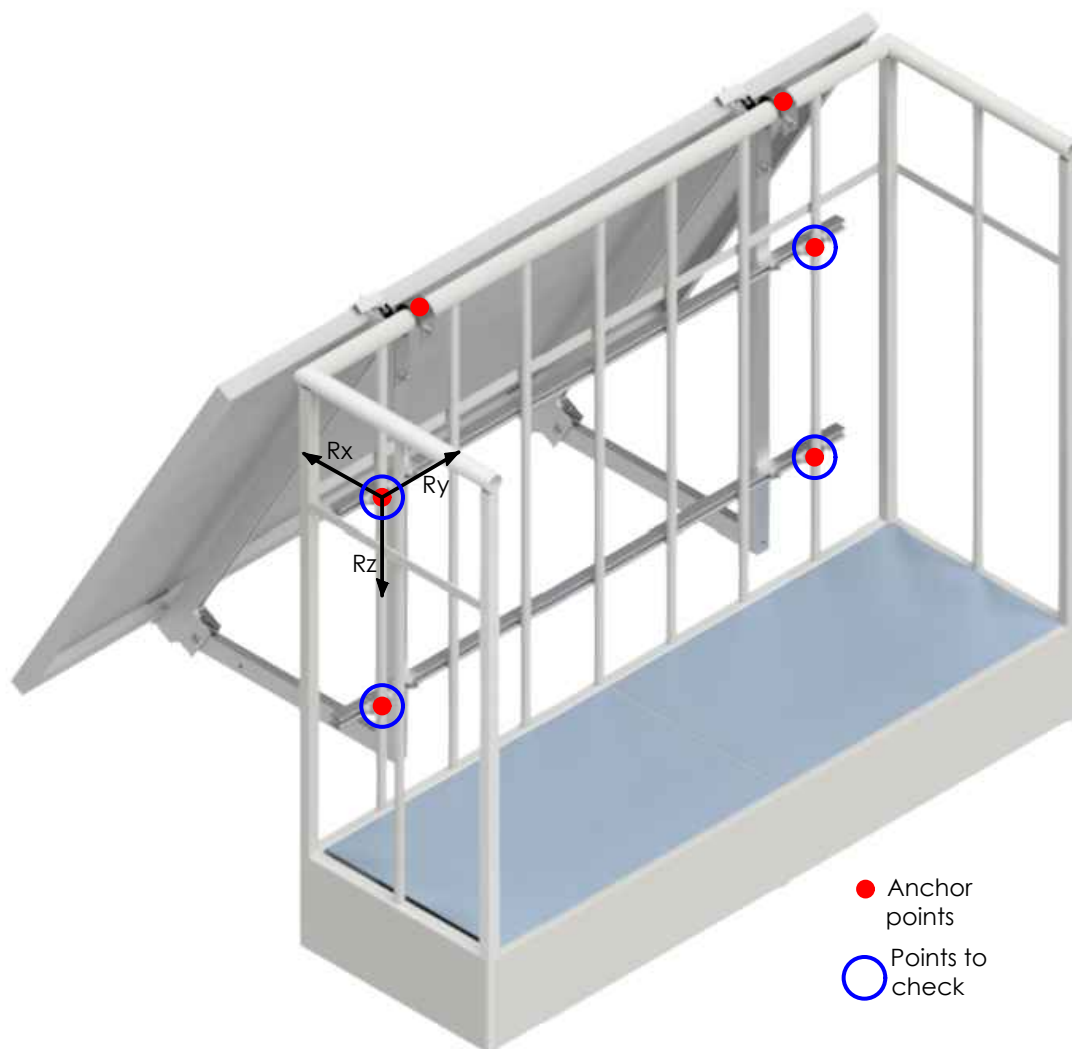
Anchor detail  
module rear fin - fixing clip



7 Nm



Sunfer reserves the right to make changes to the product and its associated documents at any time. The images in this document are for illustration only and may differ from the products provided.



- Anchor points
- Points to check

Maximum wind speed: 150 km/h



Reactions for each of the points to check

| Rx (kg) | Ry (kg) | Rz (kg) |
|---------|---------|---------|
| 180     | 15      | 80      |



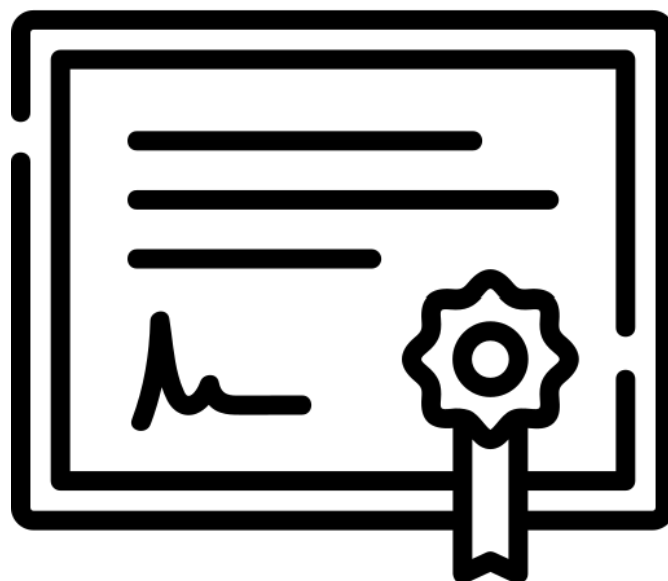
# 66H-EN

## Installation Video



Sunfer reserves the right to make changes to the product and its associated documents at any time. The images in this document are for illustration only and may differ from the products provided.





- ISO 9001 certificate
- ISO 14001 certificate
- CE marking
- Guarantee

Sunfer reserves the right to make changes to the product and its associated documents at any time. The images in this document are for illustration only and may differ from the products provided.



This is a translation of the certificate ES13/13899

The management system of

# SUNFER ESTRUCTURAS, S.L.U.

Camí de la Dula, s/n, 46687 Albalat de la Ribera, Valencia

has been assessed and certified as meeting the requirements of

**ISO 9001:2015**

For the following activities

Design, manufacture and sale of solar energy structures.

This certificate is valid from 19 May 2023 until 8 April 2025 and remains valid subject to satisfactory surveillance audits.

Issue 6. Certified with SGS since 8 April 2013

Last certificate expiry date 8 April 2022

Recertification audit date 31 March 2022

Authorised by \_\_\_\_\_

SGS International Certification Services Iberica, S.A.U.

C/Trespaderne, 29. 28042 Madrid. España

t +34 91 313 8115 - www.sgs.com



This document is an authentic electronic certificate for Client' business purposes use only. Printed version of the electronic certificate are permitted and will be considered as a copy. This document is issued by the Company subject to SGS General Conditions of certification services available on [Terms and Conditions](#) | [SGS](#). Attention is drawn to the limitation of liability, indemnification and jurisdictional clauses contained therein. This document is copyright protected and any unauthorized alteration, forgery or falsification of the content or appearance of this document is unlawful.



The management system of

# SUNFER ESTRUCTURAS, S.L.

Camí de la Dula, s/n  
46687 Albalat de la Ribera (Valencia)

has been assessed and certified as meeting the requirements of

## ISO 14001:2015

For the following activities:

**Design, manufacture and sale of solar energy structures.**

in/ from the following sites

**Camí de la Dula, s/n - 46687 Albalat de la Ribera (Valencia)**

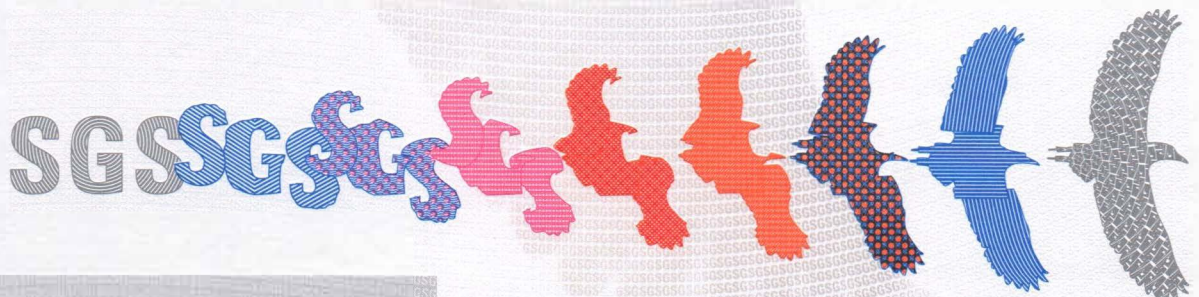
This certificate is valid from  
22 April 2022 until 22 April 2025.  
Issue 1.



Authorized by

Certification Management

SGS INTERNATIONAL CERTIFICATION SERVICES IBERICA, S.A.U.  
C/Trespaderne, 29. 28042 Madrid, España.  
t 34 91 313 8115 www.sgs.com



## Warranty Terms and Conditions

Structural and anti-corrosion warranty

The supports manufactured by SUNFER, are manufactured under strict production control in the factory as well as our raw materials that are tested and controlled periodically, so we can offer the following guarantee for our products

Structural guarantee of twenty-five (25) years.

Anti-corrosion guarantee according to table 1.

| Materials          | NON-HARSH environment (1)<br>Distance to coastline<br>Greater than 5 Km | HARSH or MARINE environment<br>Distance to coastline<br>Less than 5 Km |
|--------------------|---|--|
| Raw Aluminium      | Fifteen (15) years  | Five (5) years   |
| Anodized Aluminium | Twenty-five (25) years  | Twenty-five (25) years   |

Table 1.

(1) Non-exhaustive list of zones considered to be harsh environments:

- a. Industrial zones with emissions that include sulphur dioxide, nitrogen oxides, sulphuric acid, sulphuric compounds, chlorine, or other volatile gases; 5 km safety distance.
- b. Electric generating stations that use the following fuels: coal, natural gas, petroleum: 5 km safety distance.
- c. Petrochemical plants; 5 km safety distance.
- d. Cellulose factories; 5 km safety distance
- e. Wastewater treatment facilities: 500 m safety distance.

In these areas it is necessary to use anodised aluminium as long as the safety distance indicated above is not exceeded.

The adhesive warranty on 07.1H and S07.1 is ten (10) years. The warranty on the 2-sided adhesive tape of the S07.1 anchor covers the product supplied by Sunfer and can be applied provided that the breakage is caused by the profile tearing away from the adhesive tape. In the event that the breakage is caused by the adhesive tape tearing away from the cover, it will be considered a faulty assembly on site.

Mixed galvanised steel and raw aluminium supports such as, for example: Elevated, Monopoles, Car parks:  
Environments C3 fifteen (15) years guarantee.  
Environments C4-C5 five (5) years.

Mixed galvanised steel and anodised aluminium supports, such as: Elevated, Monopoles, Car parks:  
Environments C3 guarantee twenty-five (25) years.  
Environments C4-C5 fifteen (15) years.

This warranty applies to orders supplied from 03/01/2023, orders supplied prior to this date will be governed by the warranty document in force on the date of supply.

The warranty covers the final installation and therefore applies directly to the end user of the structure. In order to manage the warranties, the final customer will have to contact the distributor who has made the supply so that he can send it to the SUNFER Customer Service. The guarantee period starts from the date of the delivery note and it will be cancelled if the customer has not complied with the payment terms agreed in the invoice.

In order to execute the guarantee, the following documents must be sent:

- Sales invoice
- Date of commissioning.
- Details of the end customer.
- General photographs showing the entire installation.
- Detailed photographs:
  - o Fixing of the structure to the roof showing the distance between fixings.
  - o Assembled structure without photovoltaic modules.
  - o Rear view of the structure. Drawing of the affected area showing the distances between anchor points and distances between frames if applicable.



Marking   
ES19/86524

## Coverage and exclusions

### Coverage

This warranty covers the replacement and transport to the destination of the defective part or the product in its entirety free of charge. If the product is not available, a product of similar characteristics will be supplied.

The warranty is limited to the replacement of the defective product, so no costs associated with the return will be assumed: disassembly, as well as compensation for consequential damages, supplementary or related to loss of profits or other indirect costs.

The warranty covers all those metallic elements included in the SUNFER brackets.

### Exclusions

The warranty does not cover any defects resulting from:

- Inadequate assembly due to not following the SUNFER installation manuals.
- Excessive or insufficient tightening torques.
- Modifications or installations other than those recommended by SUNFER.
- Installation of auxiliary elements other than the supports supplied by SUNFER.
- Improper handling of the product during installation.
- Inadequate handling of the goods. Damage to the product after the shipment, inadequate storage of the product.
- All those purely aesthetic defects that do not affect the structural safety of the product.
- Installations in locations where wind or snow loads exceed those indicated in the product data sheet.
- Inadequate maintenance, see MAINTENANCE MANUAL.
- Fire or exposure to temperatures above 110 °C.
- Problems or defects caused by pollutants not initially contemplated (1).
- Natural disasters such as earthquakes, floods, hurricanes, tornadoes, cyclones, landslides and avalanches, volcanic eruptions or earthquakes.

For those supports in which the fixation to the surface is not included, SUNFER will not be responsible in case of pulling out or collapse due to an insufficient or badly installed anchorage.

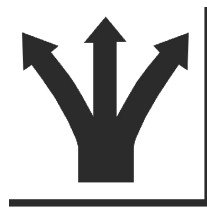
### Guarantor, execution of Warranties.

The guarantor is SUNFER ESTRUCTURAS S.L.U., registered office at Camino de la Dula s/n 46687, Albalat de la Ribera, Valencia, Spain.

Claims arising in connection with this warranty cannot be transferred to third parties.

The law in force in Spain shall apply with regard to the warranty and any disputes relating to it.



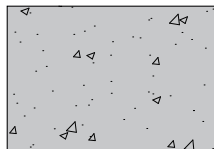
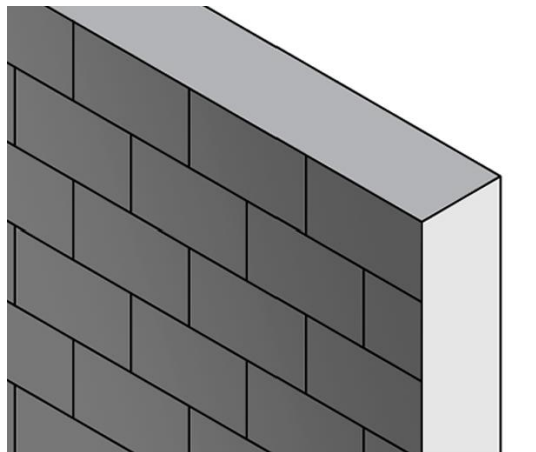


# SUNFER

## 66H-EN



### Wall



Concrete



Return





## CONTENTS

1. **General information**
2. **Kit contents**
3. **Triangle assembly**
4. **Maximum admissible loads**
5. **Assembly video**
6. **Certificates and guarantee**

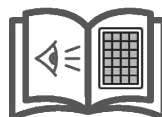
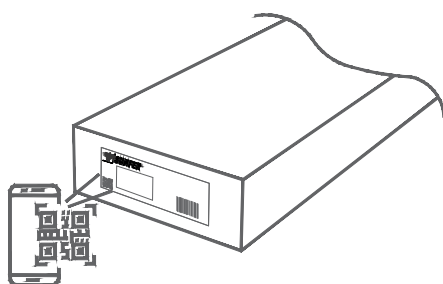


Return



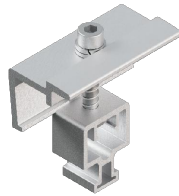
### General information and recommendations **ENG**

- All installation instructions and product specifications provided must be adhered to.
- Check the façade's condition and its carrying capacity. The photovoltaic installation's facultative management must guarantee beforehand that the installation surface, as well as the building's static, can resist the additional loads originated by the installation.
- The surface must be clean and dry. Any irregularities must be corrected or eliminated.
- Check the weathertightness of the mount once fastened.
- Place solar panels such that they are distributed symmetrically along the support, leaving equal overhangs at each end.
- Clamps must not be tightened using impact drivers.
- Check that the support attachment points are compatible with the solar panel manufacturer's specifications.
- Uninstallation must be carried out in reverse order from the installation.
- During the shipping of products take extreme care to maintain the integrity of the packaging. Store in a dry, well-ventilated area. Minimize exposure to large temperature differences and humidity. Avoid outdoor storage. Avoid sources of dripping water, puddles, splashing, or any other contact with water in the storage area. If the product becomes wet, immediately dry and clean as well as possible. Do not leave the product directly on the floor or ground where it may attract moisture. Store on the shipment's original pallet or on shelves.
- We reserve the right to make changes to our products at any moment without prior warning if, from our point of view, the changes are necessary for the improvement of the product. All illustrations in plans and catalogues are for example only and therefore may differ from the actual product provided.
- Aluminum components can be delivered in different finishes without compromising the structural solution. Available finishes: raw/anodised/lacquered.

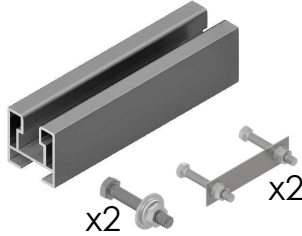




TR66H-EN



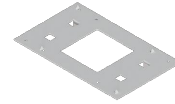
S10-EN



G6-1400-EN



Fixing rubber



S13



TG1



2

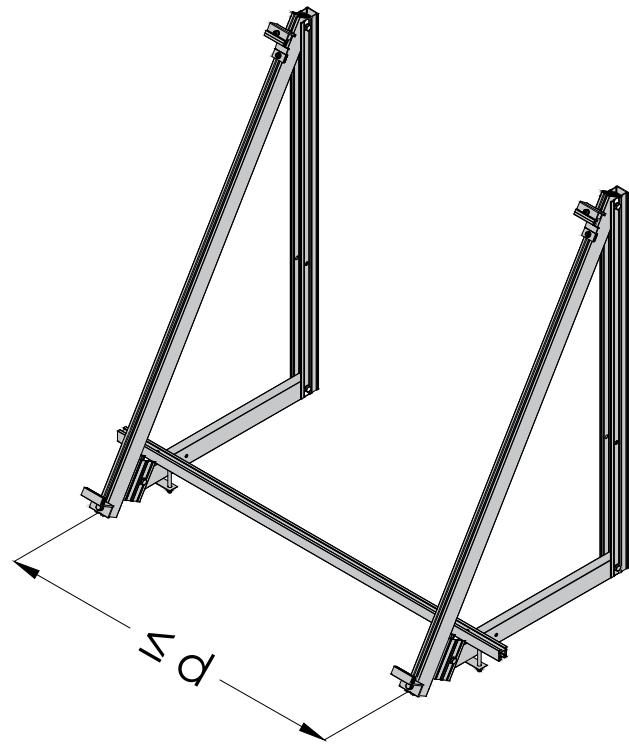
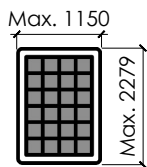
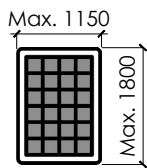
2

2

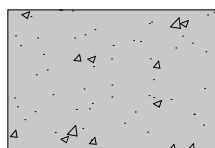
2

2

4



Anchoring surface:



Concrete



EN AW 6005A T6 aluminum profiles



A2-70 stainless steel fasteners

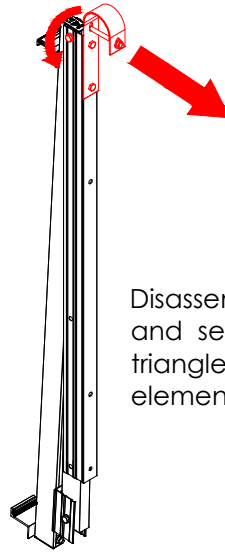


Sunfer reserves the right to make changes to the product and its associated documents at any time. The images in this document are for illustration only and may differ from the products provided.

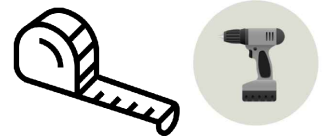
# SUNFER

# 66H-EN Triangles assembly

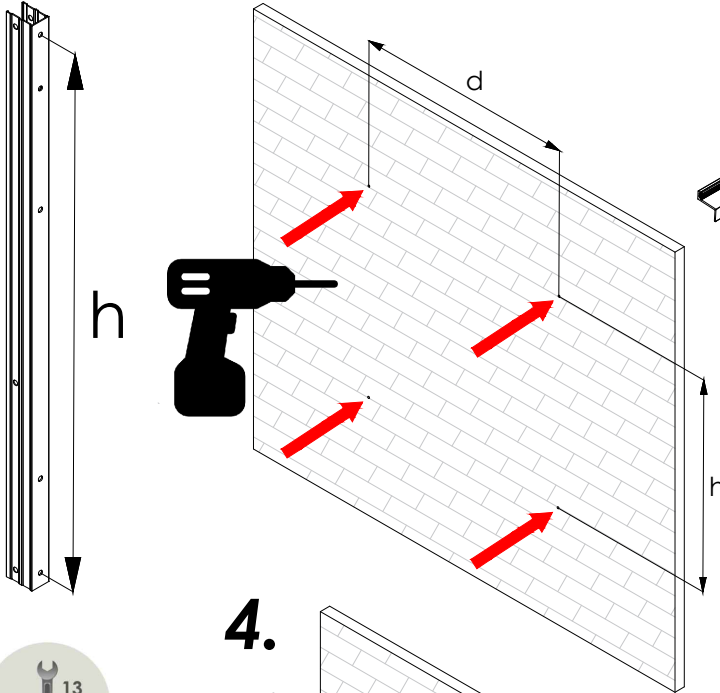
1.



Disassemble the upper hook and separate the base of the triangle from the rest of the elements.

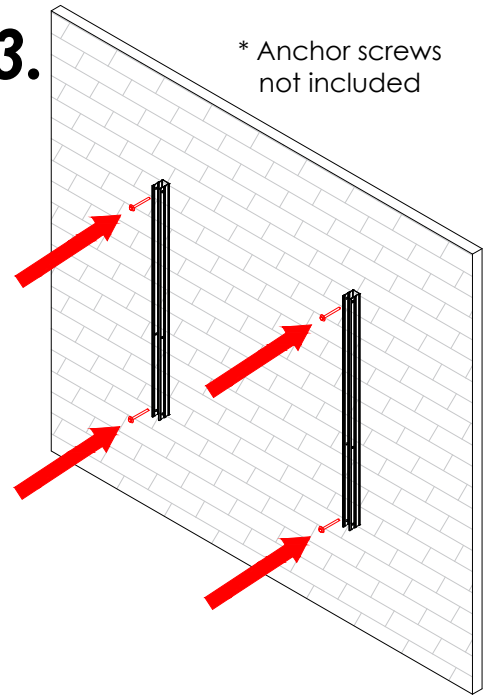


2.

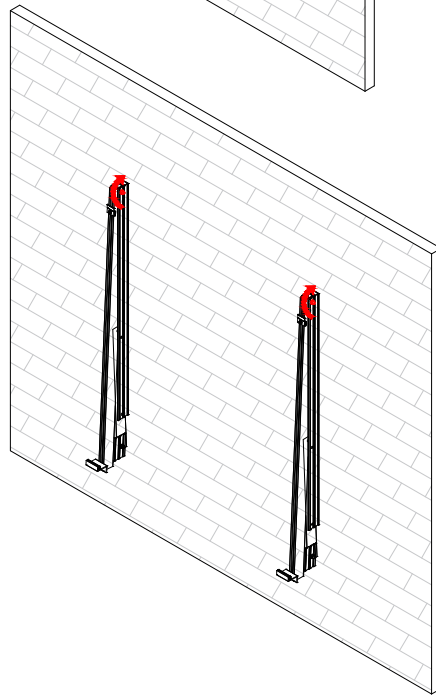


3.

\* Anchor screws not included

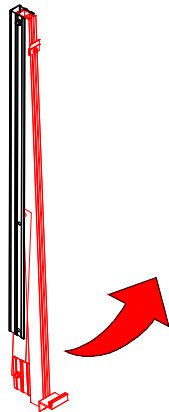


4.

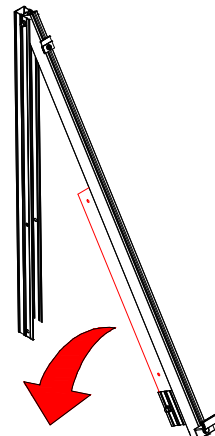


20 Nm

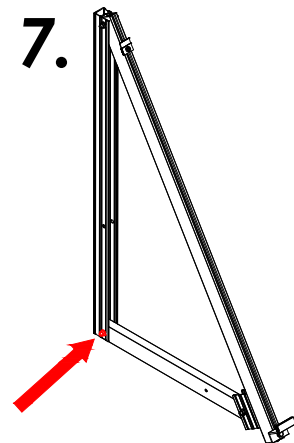
5.



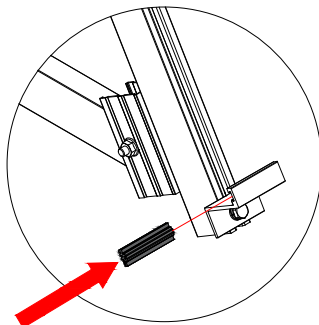
6.



7.

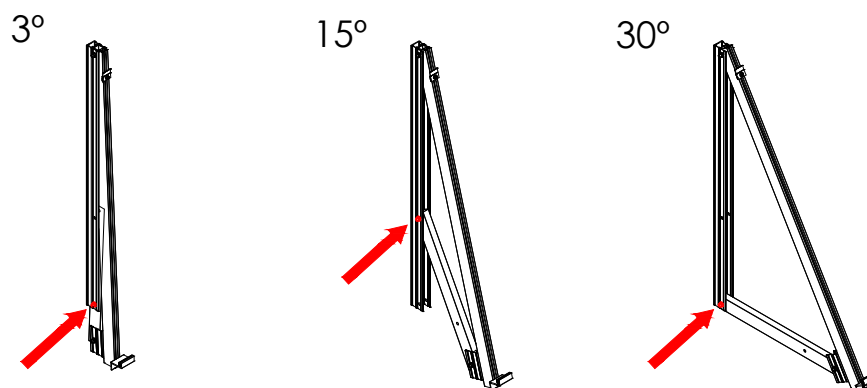


Place the fixing rubbers corresponding to the selected module thickness on the safety clamps. (See detail on module assembly page)

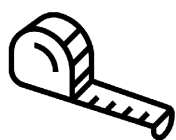


Sunfer reserves the right to make changes to the product and its associated documents at any time. The images in this document are for illustration only and may differ from the products provided.

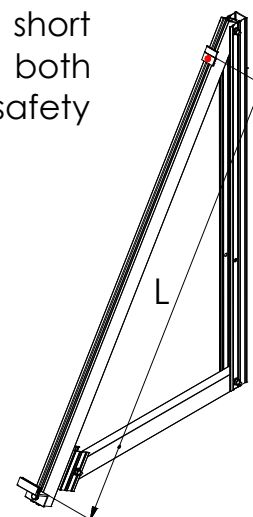
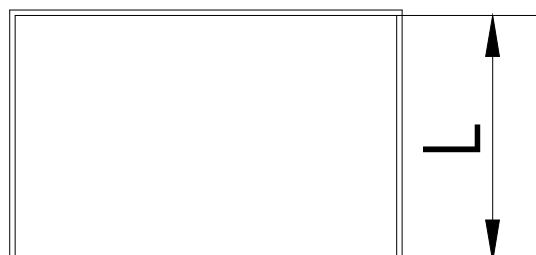
Depending on the desired inclination of the triangle, it must be screwed in a certain position marked by the existing holes in the upright and in the bottom chord.



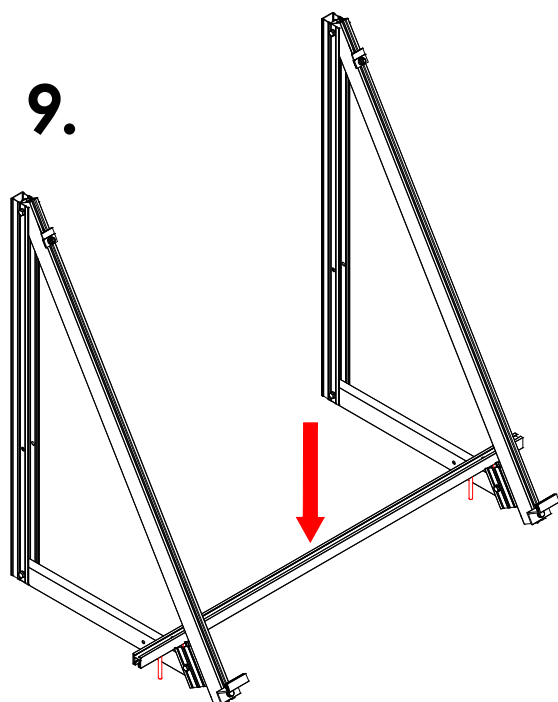
- 8.** Measure the distance between the end of the module and the start of the rear flap of the module on the short side. Then position and tighten the fixing clip on both triangles to the distance obtained from the lower safety clamp.



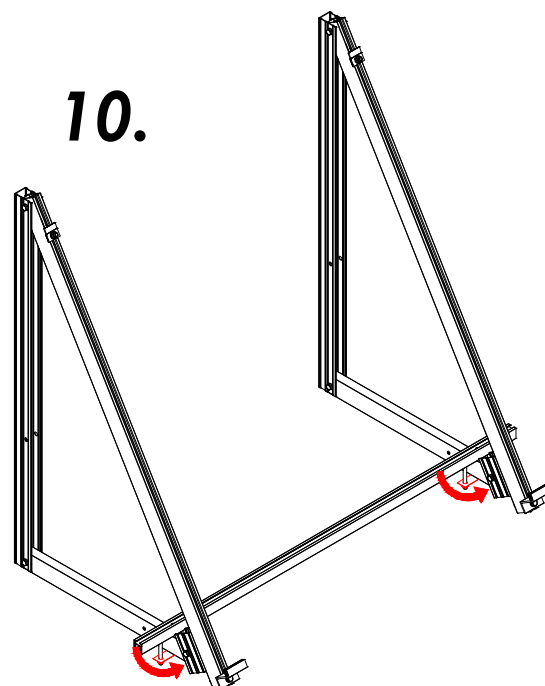
20 Nm



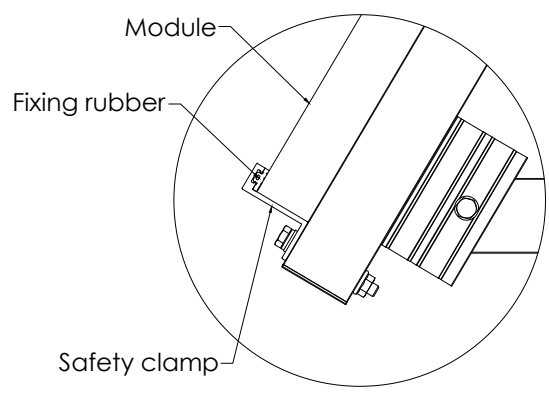
**9.**



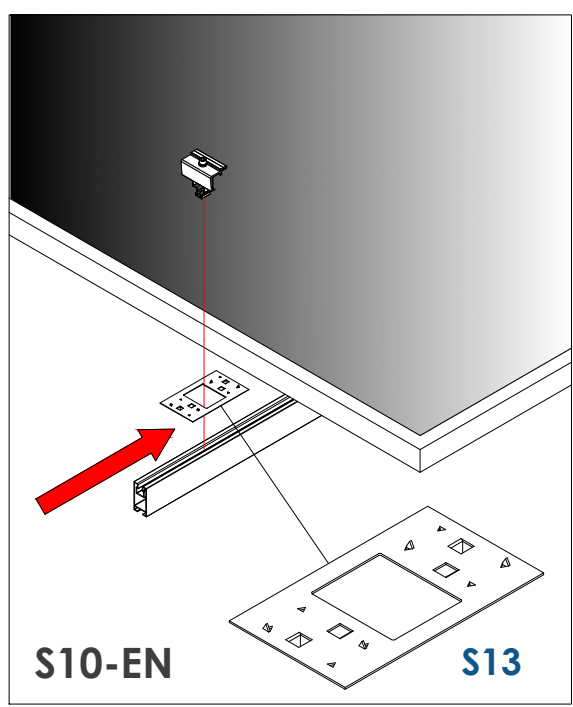
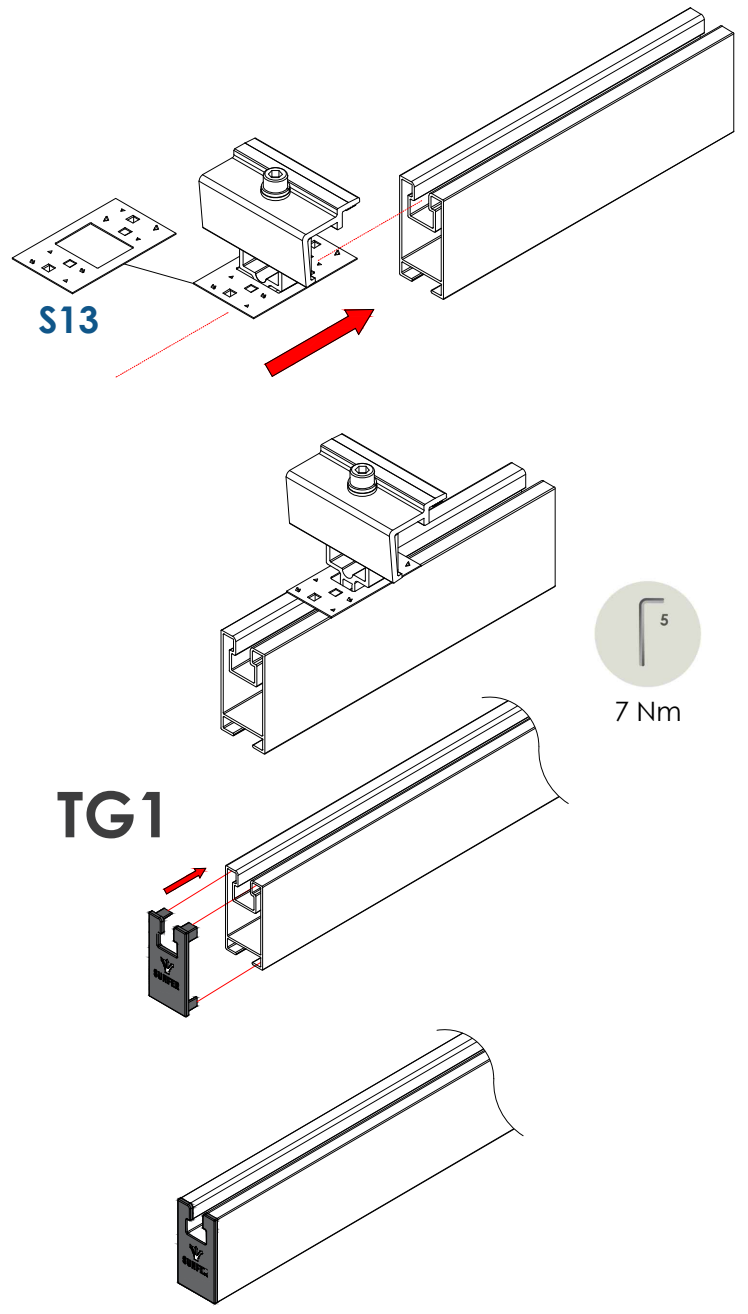
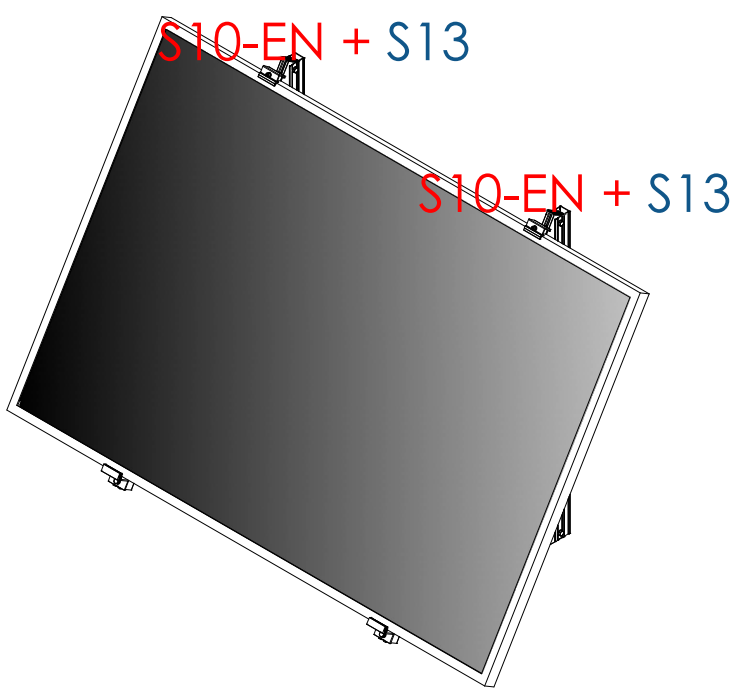
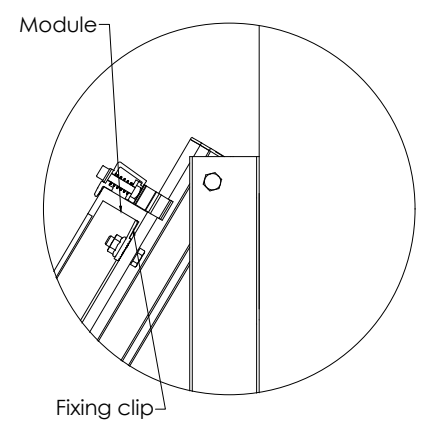
**10.**



Anchor detail  
module - safety clamp



Anchor detail  
module rear fin - fixing clip



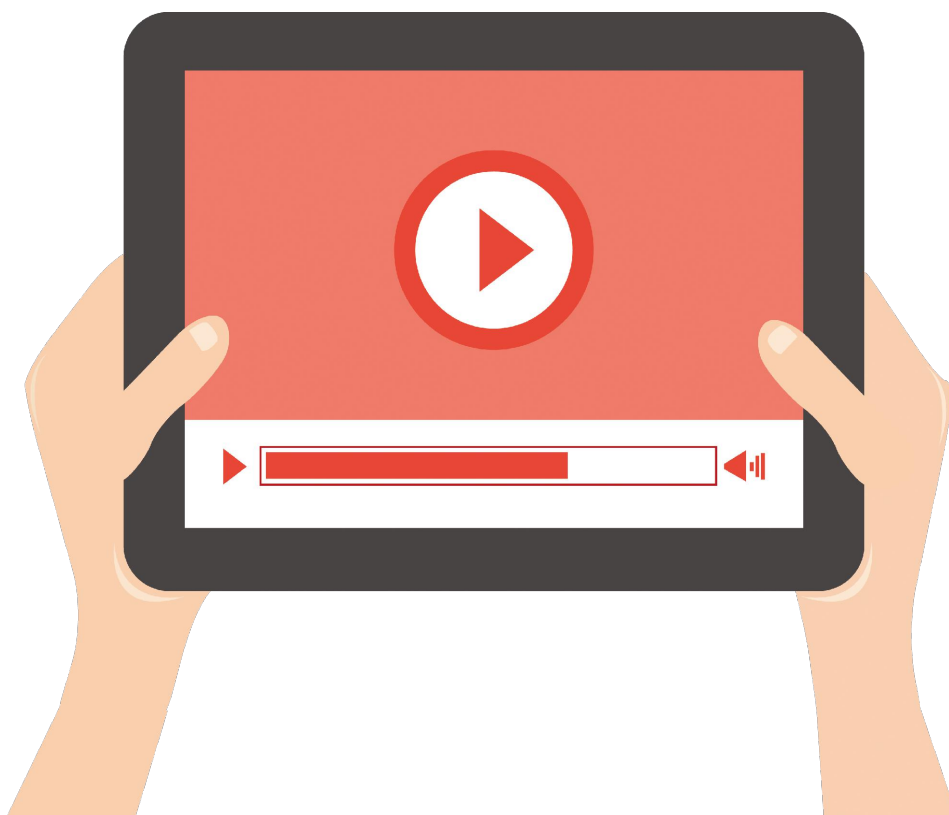
Sunfer reserves the right to make changes to the product and its associated documents at any time. The images in this document are for illustration only and may differ from the products provided.





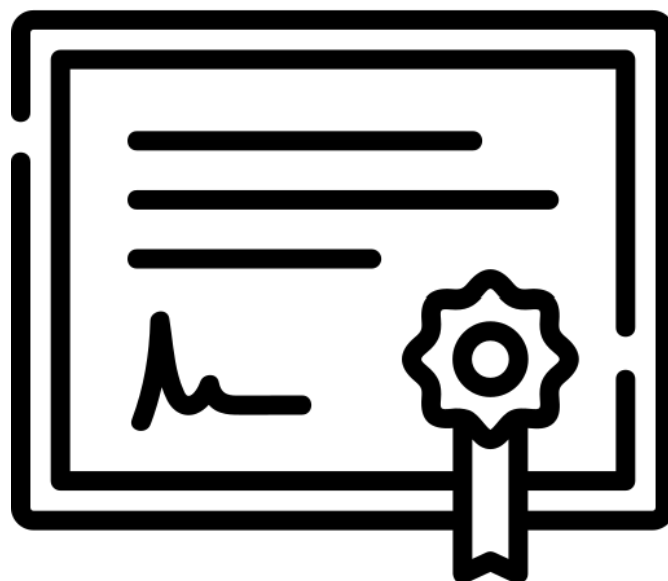
# 66H-EN

## Installation Video



Sunfer reserves the right to make changes to the product and its associated documents at any time. The images in this document are for illustration only and may differ from the products provided.





- ISO 9001 certificate
- ISO 14001 certificate
- CE marking
- Guarantee

Sunfer reserves the right to make changes to the product and its associated documents at any time. The images in this document are for illustration only and may differ from the products provided.



This is a translation of the certificate ES13/13899

The management system of

# SUNFER ESTRUCTURAS, S.L.U.

Camí de la Dula, s/n, 46687 Albalat de la Ribera, Valencia

has been assessed and certified as meeting the requirements of  
**ISO 9001:2015**

For the following activities

Design, manufacture and sale of solar energy structures.

This certificate is valid from 19 May 2023 until 8 April 2025 and remains valid subject to satisfactory surveillance audits.

Issue 6. Certified with SGS since 8 April 2013

Last certificate expiry date 8 April 2022

Recertification audit date 31 March 2022

Authorised by

SGS International Certification Services Iberica, S.A.U.

C/Trespaderne, 29. 28042 Madrid. España

t +34 91 313 8115 - www.sgs.com



This document is an authentic electronic certificate for Client' business purposes use only. Printed version of the electronic certificate are permitted and will be considered as a copy. This document is issued by the Company subject to SGS General Conditions of certification services available on [Terms and Conditions](#) | [SGS](#). Attention is drawn to the limitation of liability, indemnification and jurisdictional clauses contained therein. This document is copyright protected and any unauthorized alteration, forgery or falsification of the content or appearance of this document is unlawful.



Certificate ES22/211172

The management system of

# SUNFER ESTRUCTURAS, S.L.

Camí de la Dula, s/n  
46687 Albalat de la Ribera (Valencia)

has been assessed and certified as meeting the requirements of

## ISO 14001:2015

For the following activities:

**Design, manufacture and sale of solar energy structures.**

in/ from the following sites

**Camí de la Dula, s/n - 46687 Albalat de la Ribera (Valencia)**

This certificate is valid from  
22 April 2022 until 22 April 2025.  
Issue 1.

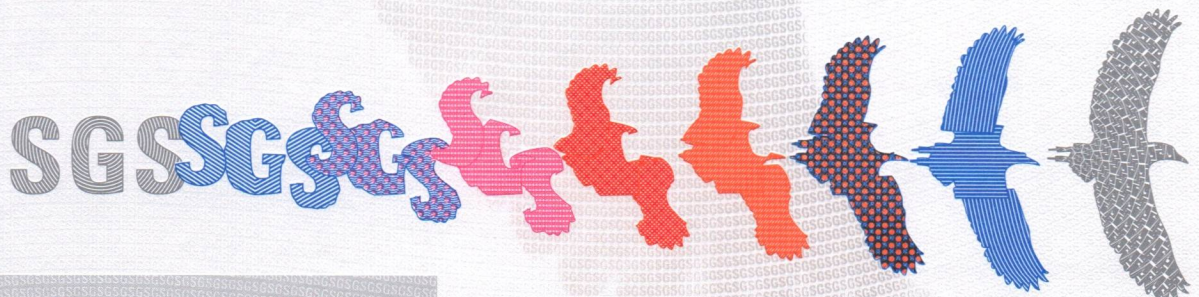


Authorized by

Certification Management

SGS INTERNATIONAL CERTIFICATION SERVICES IBERICA, S.A.U.  
C/Trespaderne, 29. 28042 Madrid. España.  
t 34 91 313 8115 www.sgs.com

Page 1 of 1





## Warranty Terms and Conditions

Structural and anti-corrosion warranty

The supports manufactured by SUNFER, are manufactured under strict production control in the factory as well as our raw materials that are tested and controlled periodically, so we can offer the following guarantee for our products

Structural guarantee of twenty-five (25) years.

Anti-corrosion guarantee according to table 1.

| Materials          | NON-HARSH environment (1)<br>Distance to coastline<br>Greater than 5 Km | HARSH or MARINE environment<br>Distance to coastline<br>Less than 5 Km |
|--------------------|---|--|
| Raw Aluminium      | Fifteen (15) years  | Five (5) years   |
| Anodized Aluminium | Twenty-five (25) years  | Twenty-five (25) years   |

Table 1.

(1) Non-exhaustive list of zones considered to be harsh environments:

- Industrial zones with emissions that include sulphur dioxide, nitrogen oxides, sulphuric acid, sulphuric compounds, chlorine, or other volatile gases; 5 km safety distance.
- Electric generating stations that use the following fuels: coal, natural gas, petroleum: 5 km safety distance.
- Petrochemical plants; 5 km safety distance.
- Cellulose factories; 5 km safety distance
- Wastewater treatment facilities: 500 m safety distance.

In these areas it is necessary to use anodised aluminium as long as the safety distance indicated above is not exceeded.

The adhesive warranty on 07.1H and S07.1 is ten (10) years. The warranty on the 2-sided adhesive tape of the S07.1 anchor covers the product supplied by Sunfer and can be applied provided that the breakage is caused by the profile tearing away from the adhesive tape. In the event that the breakage is caused by the adhesive tape tearing away from the cover, it will be considered a faulty assembly on site.

Mixed galvanised steel and raw aluminium supports such as, for example: Elevated, Monopoles, Car parks:  
Environments C3 fifteen (15) years guarantee.  
Environments C4-C5 five (5) years.

Mixed galvanised steel and anodised aluminium supports, such as: Elevated, Monopoles, Car parks:  
Environments C3 guarantee twenty-five (25) years.  
Environments C4-C5 fifteen (15) years.

This warranty applies to orders supplied from 03/01/2023, orders supplied prior to this date will be governed by the warranty document in force on the date of supply.

The warranty covers the final installation and therefore applies directly to the end user of the structure. In order to manage the warranties, the final customer will have to contact the distributor who has made the supply so that he can send it to the SUNFER Customer Service. The guarantee period starts from the date of the delivery note and it will be cancelled if the customer has not complied with the payment terms agreed in the invoice.

In order to execute the guarantee, the following documents must be sent:

- Sales invoice
- Date of commissioning.
- Details of the end customer.
- General photographs showing the entire installation.
- Detailed photographs:
  - o Fixing of the structure to the roof showing the distance between fixings.
  - o Assembled structure without photovoltaic modules.
  - o Rear view of the structure. Drawing of the affected area showing the distances between anchor points and distances between frames if applicable.



## Coverage and exclusions

### Coverage

This warranty covers the replacement and transport to the destination of the defective part or the product in its entirety free of charge. If the product is not available, a product of similar characteristics will be supplied.

The warranty is limited to the replacement of the defective product, so no costs associated with the return will be assumed: disassembly, as well as compensation for consequential damages, supplementary or related to loss of profits or other indirect costs.

The warranty covers all those metallic elements included in the SUNFER brackets.

### Exclusions

The warranty does not cover any defects resulting from:

- Inadequate assembly due to not following the SUNFER installation manuals.
- Excessive or insufficient tightening torques.
- Modifications or installations other than those recommended by SUNFER.
- Installation of auxiliary elements other than the supports supplied by SUNFER.
- Improper handling of the product during installation.
- Inadequate handling of the goods. Damage to the product after the shipment, inadequate storage of the product.
- All those purely aesthetic defects that do not affect the structural safety of the product.
- Installations in locations where wind or snow loads exceed those indicated in the product data sheet.
- Inadequate maintenance, see MAINTENANCE MANUAL.
- Fire or exposure to temperatures above 110 °C.
- Problems or defects caused by pollutants not initially contemplated (1).
- Natural disasters such as earthquakes, floods, hurricanes, tornadoes, cyclones, landslides and avalanches, volcanic eruptions or earthquakes.

For those supports in which the fixation to the surface is not included, SUNFER will not be responsible in case of pulling out or collapse due to an insufficient or badly installed anchorage.

### Guarantor, execution of Warranties.

The guarantor is SUNFER ESTRUCTURAS S.L.U., registered office at Camino de la Dula s/n 46687, Albalat de la Ribera, Valencia, Spain.

Claims arising in connection with this warranty cannot be transferred to third parties.

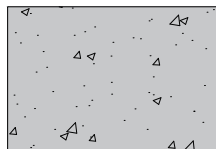
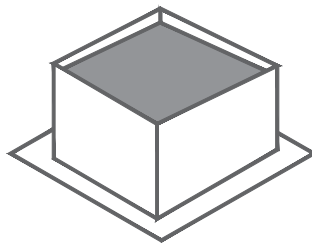
The law in force in Spain shall apply with regard to the warranty and any disputes relating to it.



## 66H-EN



### Flat roof



Concrete



Return



## CONTENTS

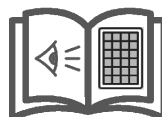
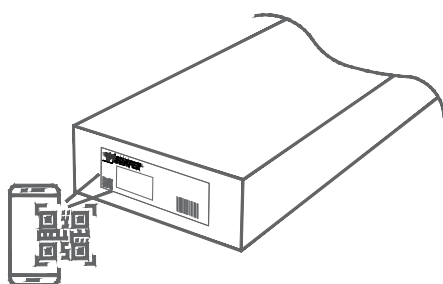
1. **General information**
2. **Kit contents**
3. **Triangle assembly**
4. **Maximum admissible loads**
5. **Assembly video**
6. **Certificates and guarantee**

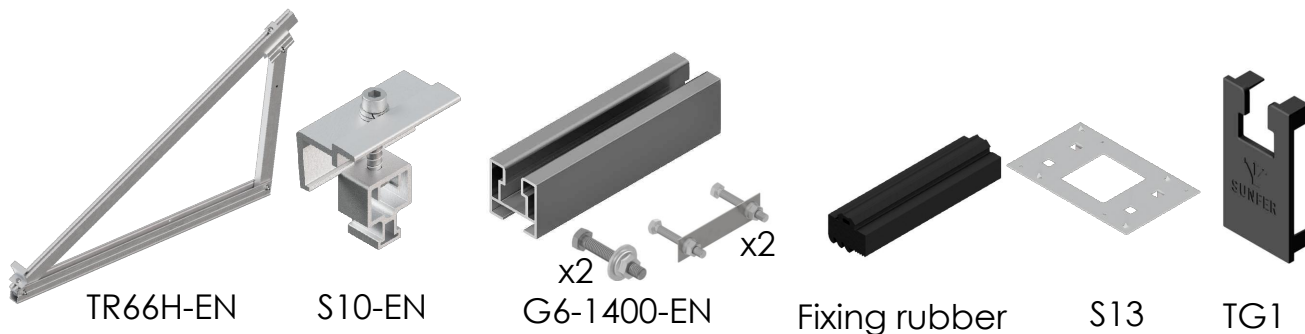




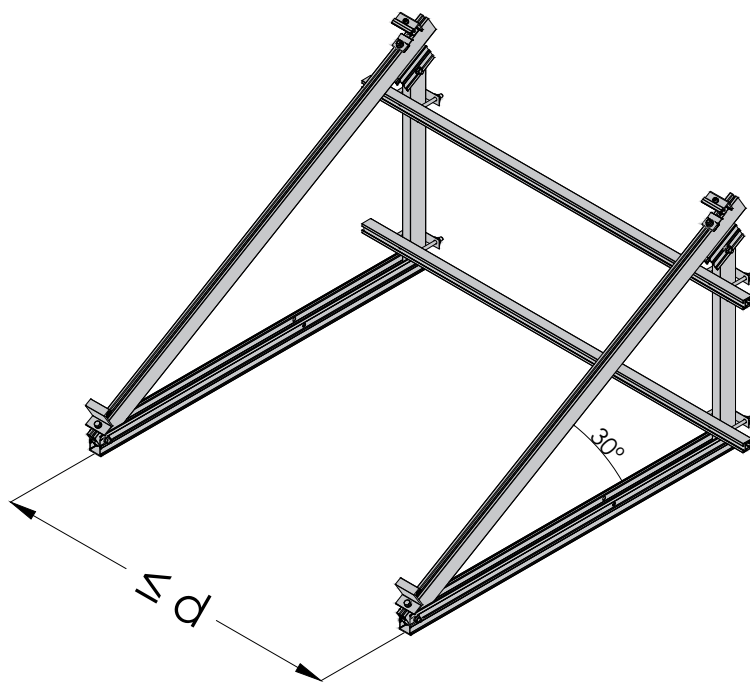
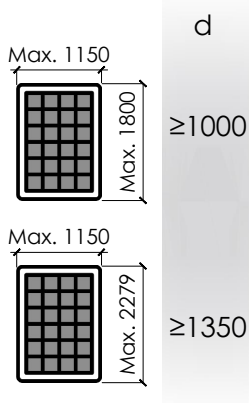
### General information and recommendations **ENG**

- All installation instructions and product specifications provided must be adhered to.
- Check the façade's condition and its carrying capacity. The photovoltaic installation's facultative management must guarantee beforehand that the installation surface, as well as the building's static, can resist the additional loads originated by the installation.
- The surface must be clean and dry. Any irregularities must be corrected or eliminated.
- Check the weathertightness of the mount once fastened.
- Place solar panels such that they are distributed symmetrically along the support, leaving equal overhangs at each end.
- Clamps must not be tightened using impact drivers.
- Check that the support attachment points are compatible with the solar panel manufacturer's specifications.
- Uninstallation must be carried out in reverse order from the installation.
- During the shipping of products take extreme care to maintain the integrity of the packaging. Store in a dry, well-ventilated area. Minimize exposure to large temperature differences and humidity. Avoid outdoor storage. Avoid sources of dripping water, puddles, splashing, or any other contact with water in the storage area. If the product becomes wet, immediately dry and clean as well as possible. Do not leave the product directly on the floor or ground where it may attract moisture. Store on the shipment's original pallet or on shelves.
- We reserve the right to make changes to our products at any moment without prior warning if, from our point of view, the changes are necessary for the improvement of the product. All illustrations in plans and catalogues are for example only and therefore may differ from the actual product provided.
- Aluminum components can be delivered in different finishes without compromising the structural solution. Available finishes: raw/anodised/lacquered.





|   |   |   |   |   |   |
|---|---|---|---|---|---|
| 2 | 2 | 2 | 2 | 2 | 4 |
|---|---|---|---|---|---|



Anchoring surface:



Concrete



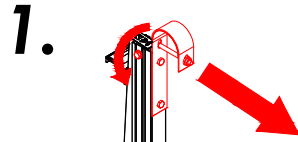
EN AW 6005A T6 aluminum profiles



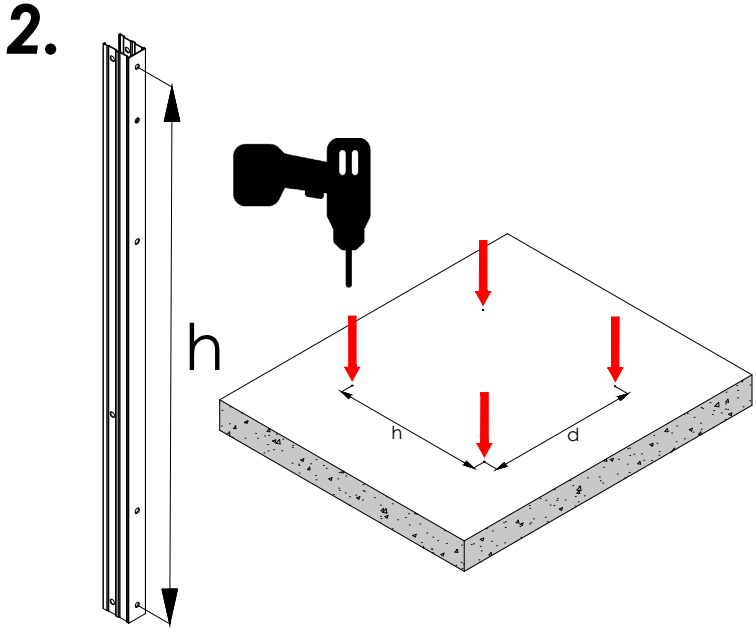
A2-70 stainless steel fasteners



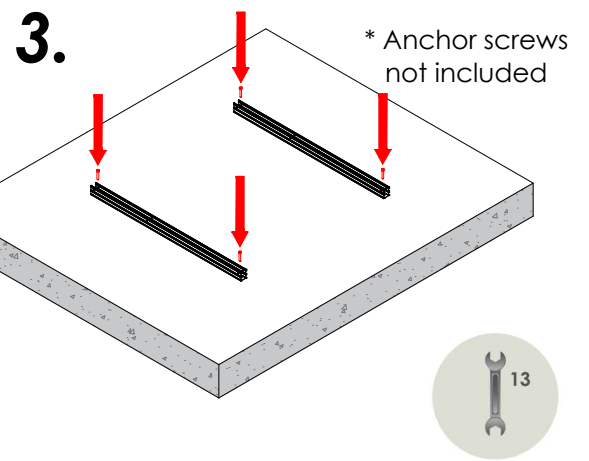
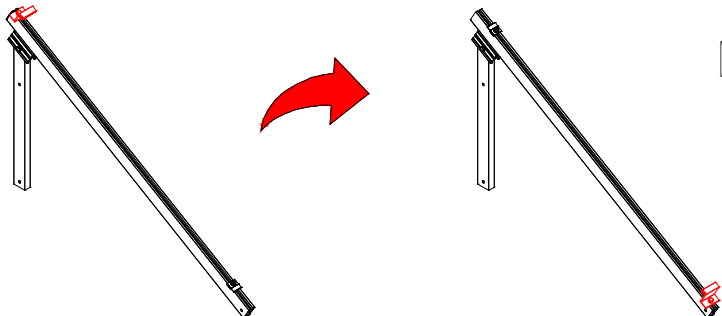
Sunfer reserves the right to make changes to the product and its associated documents at any time. The images in this document are for illustration only and may differ from the products provided.



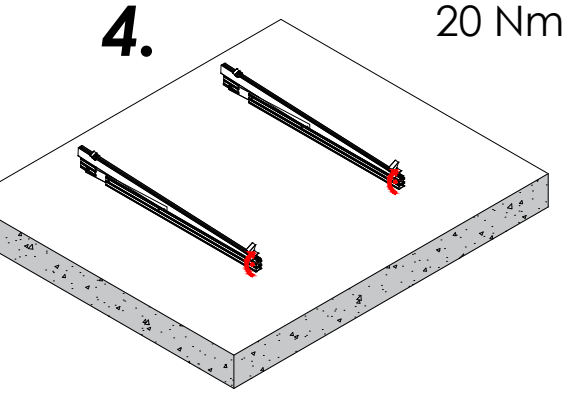
Disassemble the upper hook and separate the base of the triangle from the rest of the elements.




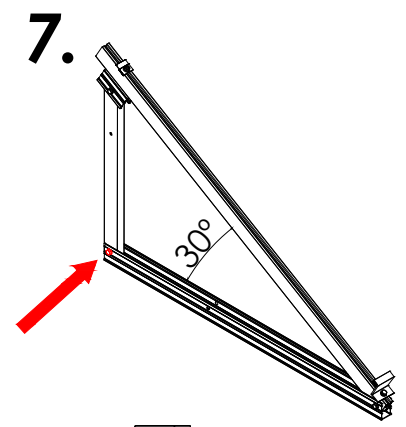
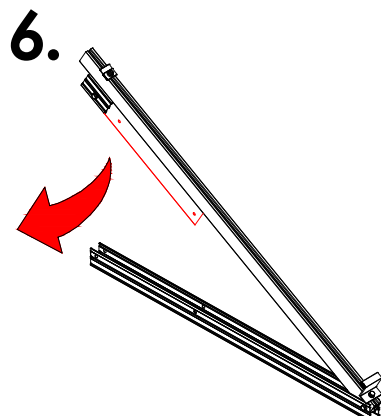
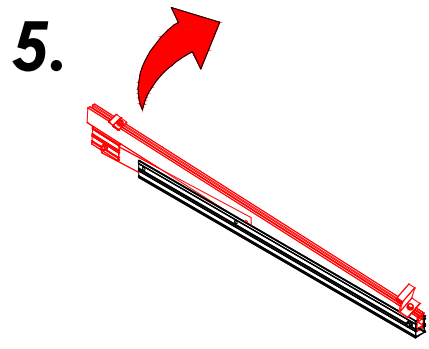
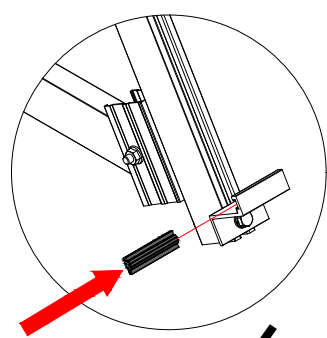
Invert the position of the safety clamp and the fixing clip on the upper cord of the triangle.



20 Nm

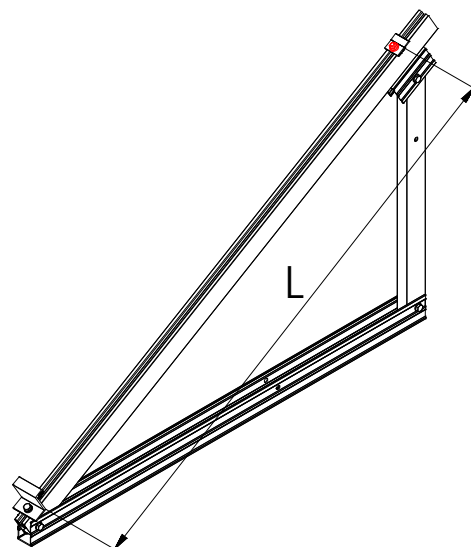
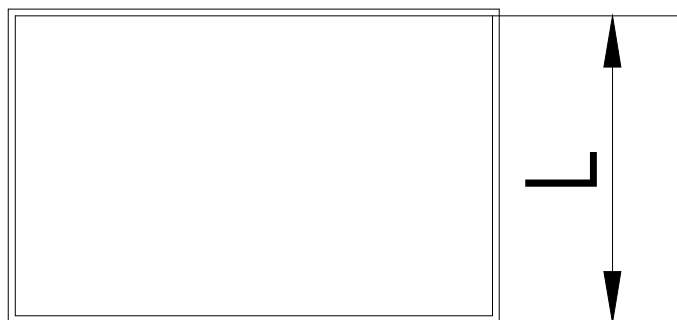


 Place the fixing rubbers corresponding to the selected module thickness on the safety clamps. (See detail on module assembly page)

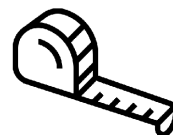
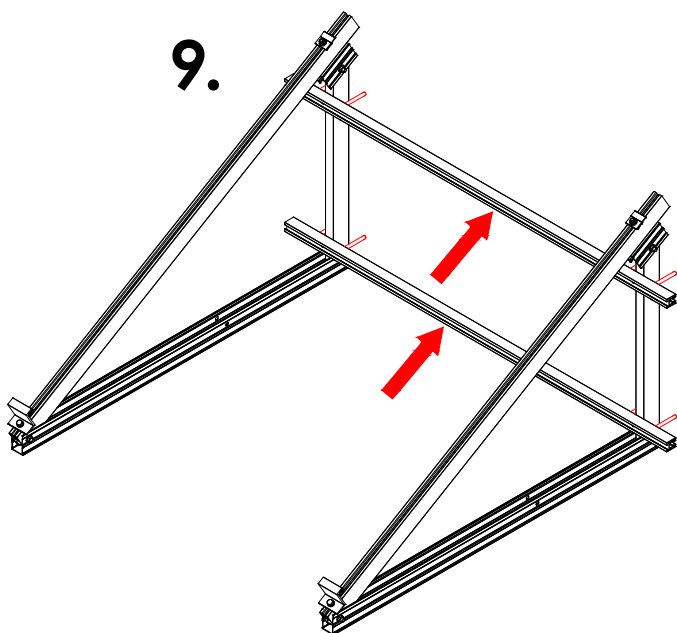


Sunfer reserves the right to make changes to the product and its associated documents at any time. The images in this document are for illustration only and may differ from the products provided.

- 8.** Measure the distance between the end of the module and the start of the rear flap of the module on the short side. Then position and tighten the fixing clip on both triangles to the distance obtained from the lower safety clamp.

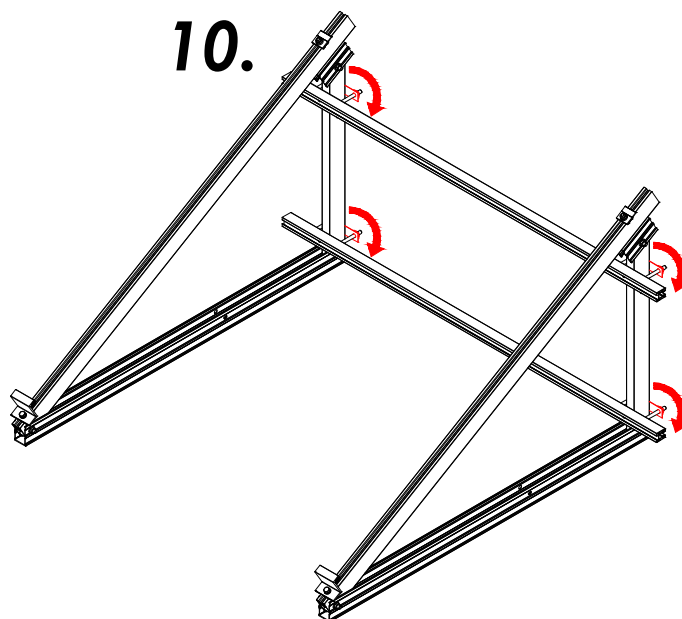


**9.**

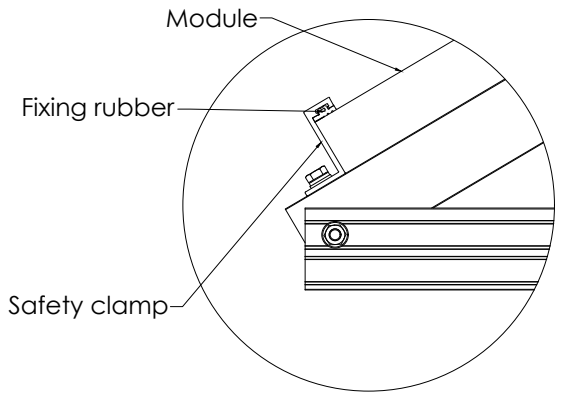


20 Nm

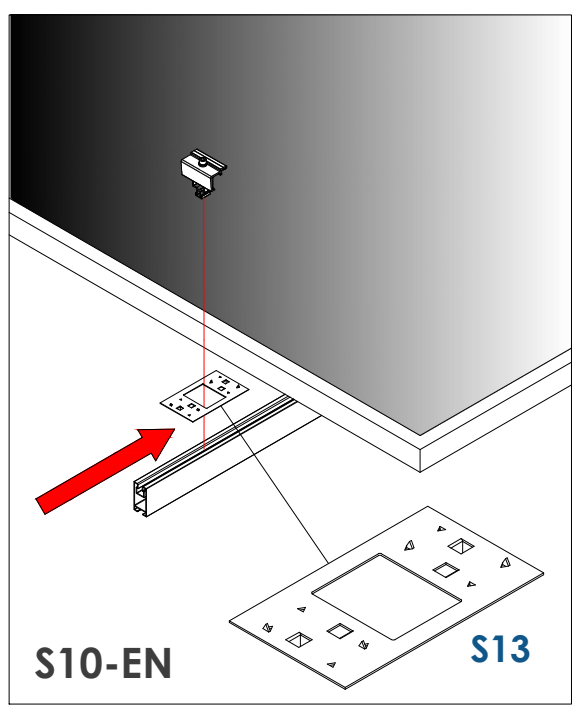
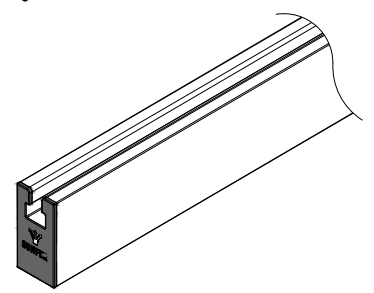
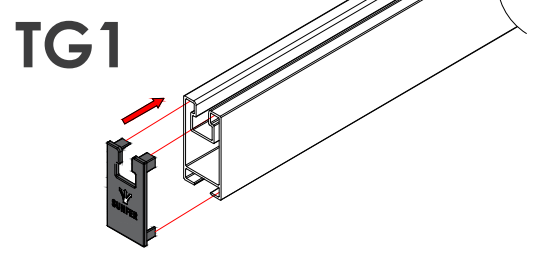
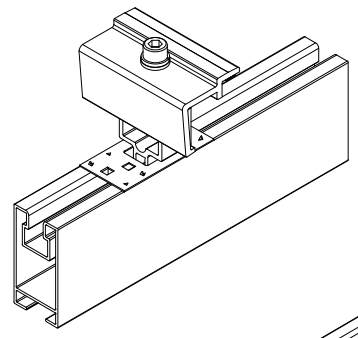
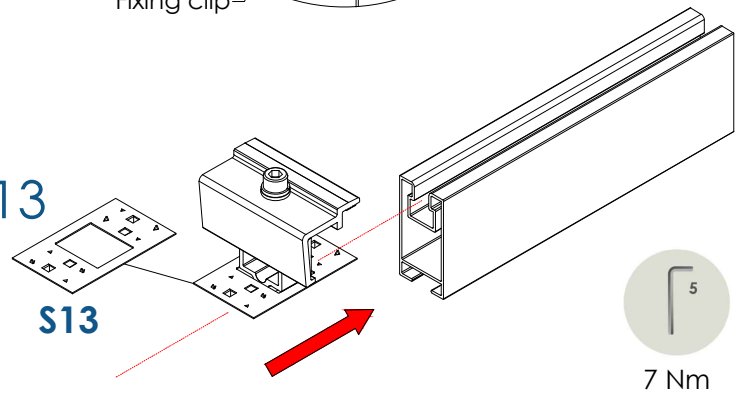
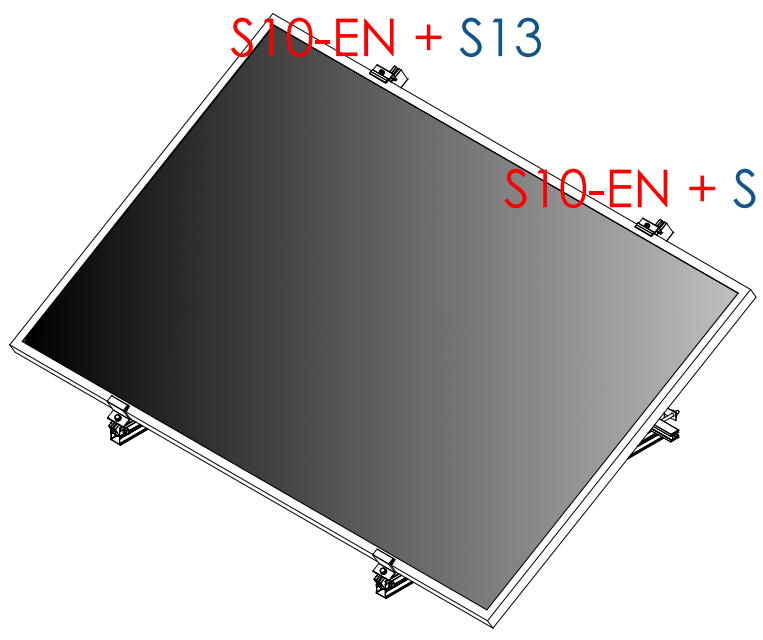
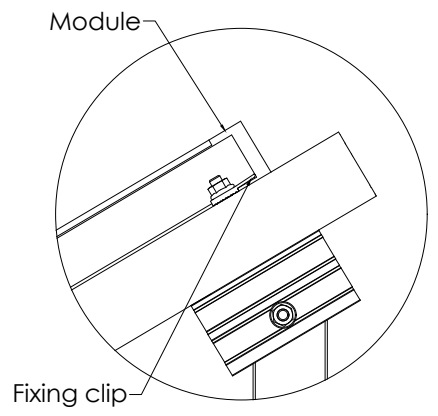
**10.**



Anchor detail  
module - safety clamp



Anchor detail  
module rear fin - fixing clip



Sunfer reserves the right to make changes to the product and its associated documents at any time. The images in this document are for illustration only and may differ from the products provided.



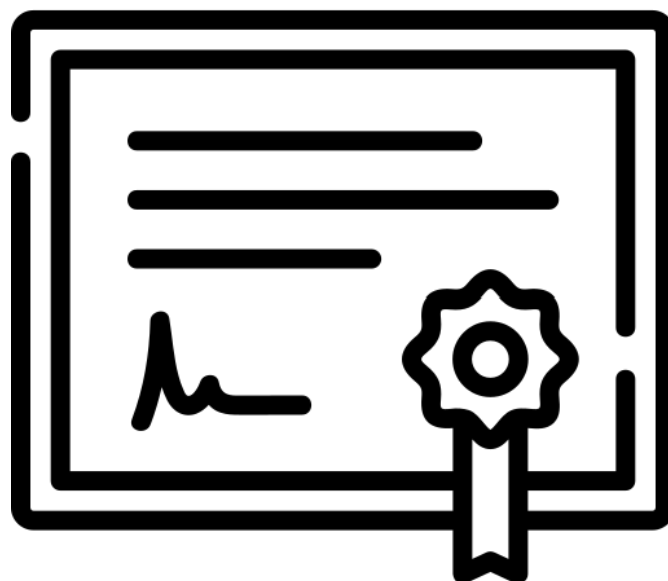
# 66H-EN

## Installation Video



Sunfer reserves the right to make changes to the product and its associated documents at any time. The images in this document are for illustration only and may differ from the products provided.





- ISO 9001 certificate
- ISO 14001 certificate
- CE marking
- Guarantee

Sunfer reserves the right to make changes to the product and its associated documents at any time. The images in this document are for illustration only and may differ from the products provided.



This is a translation of the certificate ES13/13899

The management system of

# SUNFER ESTRUCTURAS, S.L.U.

Camí de la Dula, s/n, 46687 Albalat de la Ribera, Valencia

has been assessed and certified as meeting the requirements of

**ISO 9001:2015**

For the following activities

Design, manufacture and sale of solar energy structures.

This certificate is valid from 19 May 2023 until 8 April 2025 and remains valid subject to satisfactory surveillance audits.

Issue 6. Certified with SGS since 8 April 2013

Last certificate expiry date 8 April 2022

Recertification audit date 31 March 2022

Authorised by \_\_\_\_\_

SGS International Certification Services Iberica, S.A.U.

C/Trespaderne, 29. 28042 Madrid. España

t +34 91 313 8115 - www.sgs.com



This document is an authentic electronic certificate for Client' business purposes use only. Printed version of the electronic certificate are permitted and will be considered as a copy. This document is issued by the Company subject to SGS General Conditions of certification services available on [Terms and Conditions](#) | [SGS](#). Attention is drawn to the limitation of liability, indemnification and jurisdictional clauses contained therein. This document is copyright protected and any unauthorized alteration, forgery or falsification of the content or appearance of this document is unlawful.





Certificate ES22/211172

The management system of

# SUNFER ESTRUCTURAS, S.L.

Camí de la Dula, s/n  
46687 Albalat de la Ribera (Valencia)

has been assessed and certified as meeting the requirements of

## ISO 14001:2015

For the following activities:

**Design, manufacture and sale of solar energy structures.**

in/ from the following sites

**Camí de la Dula, s/n - 46687 Albalat de la Ribera (Valencia)**

This certificate is valid from  
22 April 2022 until 22 April 2025.  
Issue 1.

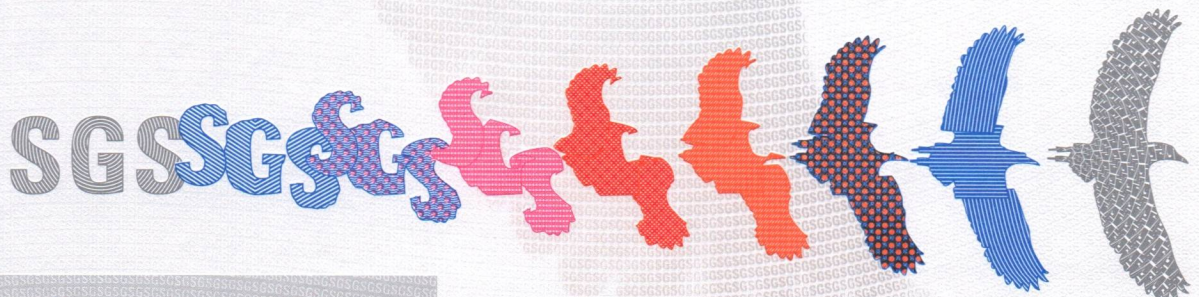


Authorized by

Certification Management

SGS INTERNATIONAL CERTIFICATION SERVICES IBERICA, S.A.U.  
C/Trespaderne, 29. 28042 Madrid. España.  
t 34 91 313 8115 www.sgs.com

Page 1 of 1



This document is issued by the Company subject to its General Conditions of Certification Services accessible at [www.sgs.com/terms\\_and\\_conditions.htm](http://www.sgs.com/terms_and_conditions.htm). Attention is drawn to the limitations of liability, indemnification and jurisdictional issues established therein. The authenticity of this document may be verified at <http://www.sgs.com/en/certified-clients-and-products/certified-client-directory>. Any unauthorized alteration, forgery or falsification of the content or appearance of this document is unlawful and offenders may be prosecuted to the fullest extent of the law.

## Warranty Terms and Conditions

Structural and anti-corrosion warranty

The supports manufactured by SUNFER, are manufactured under strict production control in the factory as well as our raw materials that are tested and controlled periodically, so we can offer the following guarantee for our products

Structural guarantee of twenty-five (25) years.

Anti-corrosion guarantee according to table 1.

| Materials          | NON-HARSH environment (1)<br>Distance to coastline<br>Greater than 5 Km | HARSH or MARINE environment<br>Distance to coastline<br>Less than 5 Km |
|--------------------|---|--|
| Raw Aluminium      | Fifteen (15) years  | Five (5) years   |
| Anodized Aluminium | Twenty-five (25) years  | Twenty-five (25) years   |

Table 1.

(1) Non-exhaustive list of zones considered to be harsh environments:

- a. Industrial zones with emissions that include sulphur dioxide, nitrogen oxides, sulphuric acid, sulphuric compounds, chlorine, or other volatile gases; 5 km safety distance.
- b. Electric generating stations that use the following fuels: coal, natural gas, petroleum: 5 km safety distance.
- c. Petrochemical plants; 5 km safety distance.
- d. Cellulose factories; 5 km safety distance
- e. Wastewater treatment facilities: 500 m safety distance.

In these areas it is necessary to use anodised aluminium as long as the safety distance indicated above is not exceeded.

The adhesive warranty on 07.1H and S07.1 is ten (10) years. The warranty on the 2-sided adhesive tape of the S07.1 anchor covers the product supplied by Sunfer and can be applied provided that the breakage is caused by the profile tearing away from the adhesive tape. In the event that the breakage is caused by the adhesive tape tearing away from the cover, it will be considered a faulty assembly on site.

Mixed galvanised steel and raw aluminium supports such as, for example: Elevated, Monopoles, Car parks:  
Environments C3 fifteen (15) years guarantee.  
Environments C4-C5 five (5) years.

Mixed galvanised steel and anodised aluminium supports, such as: Elevated, Monopoles, Car parks:  
Environments C3 guarantee twenty-five (25) years.  
Environments C4-C5 fifteen (15) years.

This warranty applies to orders supplied from 03/01/2023, orders supplied prior to this date will be governed by the warranty document in force on the date of supply.

The warranty covers the final installation and therefore applies directly to the end user of the structure. In order to manage the warranties, the final customer will have to contact the distributor who has made the supply so that he can send it to the SUNFER Customer Service. The guarantee period starts from the date of the delivery note and it will be cancelled if the customer has not complied with the payment terms agreed in the invoice.

In order to execute the guarantee, the following documents must be sent:

- Sales invoice
- Date of commissioning.
- Details of the end customer.
- General photographs showing the entire installation.
- Detailed photographs:
  - o Fixing of the structure to the roof showing the distance between fixings.
  - o Assembled structure without photovoltaic modules.
  - o Rear view of the structure. Drawing of the affected area showing the distances between anchor points and distances between frames if applicable.



Marking   
ES19/86524

## Coverage and exclusions

### Coverage

This warranty covers the replacement and transport to the destination of the defective part or the product in its entirety free of charge. If the product is not available, a product of similar characteristics will be supplied.

The warranty is limited to the replacement of the defective product, so no costs associated with the return will be assumed: disassembly, as well as compensation for consequential damages, supplementary or related to loss of profits or other indirect costs.

The warranty covers all those metallic elements included in the SUNFER brackets.

### Exclusions

The warranty does not cover any defects resulting from:

- Inadequate assembly due to not following the SUNFER installation manuals.
- Excessive or insufficient tightening torques.
- Modifications or installations other than those recommended by SUNFER.
- Installation of auxiliary elements other than the supports supplied by SUNFER.
- Improper handling of the product during installation.
- Inadequate handling of the goods. Damage to the product after the shipment, inadequate storage of the product.
- All those purely aesthetic defects that do not affect the structural safety of the product.
- Installations in locations where wind or snow loads exceed those indicated in the product data sheet.
- Inadequate maintenance, see MAINTENANCE MANUAL.
- Fire or exposure to temperatures above 110 °C.
- Problems or defects caused by pollutants not initially contemplated (1).
- Natural disasters such as earthquakes, floods, hurricanes, tornadoes, cyclones, landslides and avalanches, volcanic eruptions or earthquakes.

For those supports in which the fixation to the surface is not included, SUNFER will not be responsible in case of pulling out or collapse due to an insufficient or badly installed anchorage.

### Guarantor, execution of Warranties.

The guarantor is SUNFER ESTRUCTURAS S.L.U., registered office at Camino de la Dula s/n 46687, Albalat de la Ribera, Valencia, Spain.

Claims arising in connection with this warranty cannot be transferred to third parties.

The law in force in Spain shall apply with regard to the warranty and any disputes relating to it.

