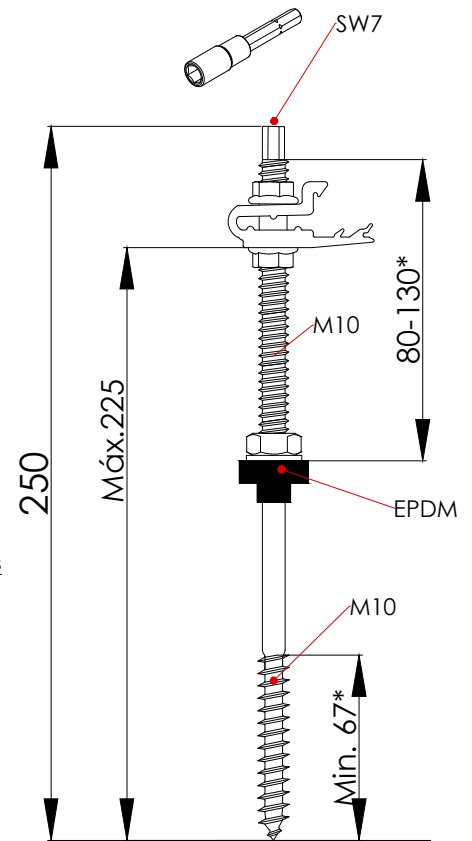


Compatible accessories



\* Variable dimensions depending on stock

Yield moment  $M_{y, RK} = 5.80$  [kN.cm] \*

Tensile and compressive strength characteristics\*

$K_{mod}=0.7$	Effective embedding depth $l_{ef}$ [mm]									
	40	43	46	49	52	55	58	61	64	67
$N_{RK}$ [kN]	2.40	2.58	2.76	2.94	3.12	3.30	3.48	3.66	3.84	4.02

\*Data valid for anchorage to wood C24 or higher

Specifications

Description	Fixing double thread screw with EPDM sealing washer Metric M10 Wooden tip
Length	250 mm
Diameter	10 mm
Anchoring surface	Concrete slab and wood. Maximum wood density 350 kg/m³. Wood type C24 or higher Concrete slab HA-25 [chemical dowel].
Compatible guide rail	G1-EN
Materials	Screws: A2-70 stainless steel Trim: Aluminium EN AW 6005A T6 (Raw or anodised) EPDM
Driving	Hexagonal SW7
Pre-drilling diameter	Wood: 7 mm Concrete: see dowel sheet
Tightening torque	Screw M10: 40 Nm

Tools required:



Safety:

