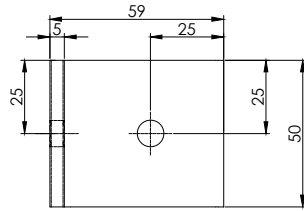
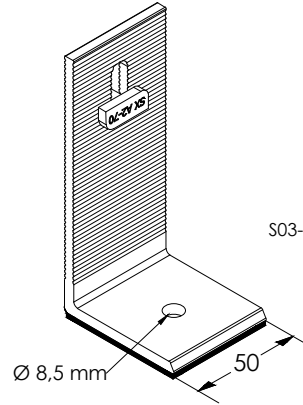


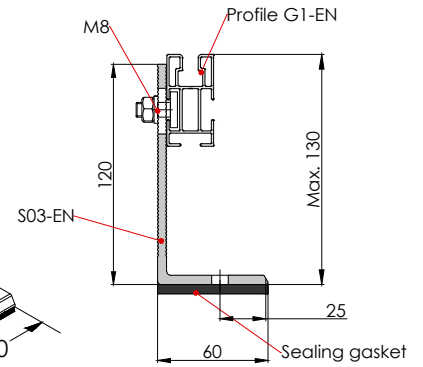
PLAN VIEW



3D VIEW



TOP VIEW

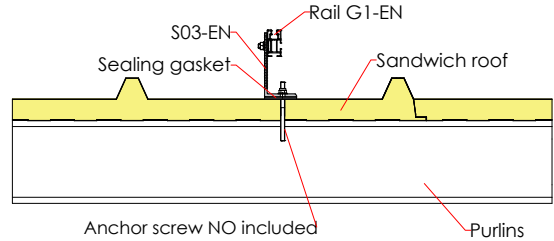
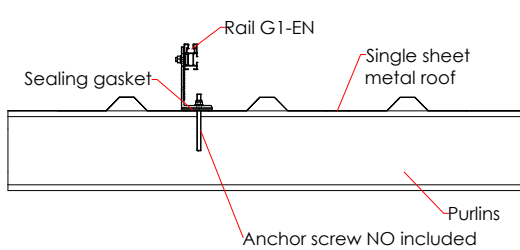
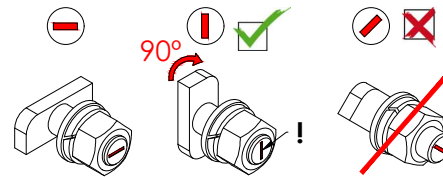


Units of dimensions in millimetres (mm)

*It is recommended to use screws with sealing washer.



Compatible rail G1-EN



Specifications

Description	Fastening for all types of metal roofs for anchoring to purlins with EPDM sealing washer
Height	120 mm
Wide	60 mm
Anchoring surface	Concrete slab Metal roofing Wooden beam
Materials	Screws: A2-70 stainless steel. Trim: Aluminium EN AW 6005A T6. EPDM
Compatible rail	G1- EN
Type of fixing	Screwed (Anchor screw NO included)
Area of application	Sheet metal / concrete slabs
Tightening torque	Screw M8 Hexagonal: 20 Nm

Tools required:



Sunfer Estructuras, S.L.U.

Safety:



100% Recyclable

Marking ES19/86524 CE

www.sunferenergy.com

Subject to change without notice. Product illustrations are for illustrative purposes only and may differ from the delivered product.