

1

2

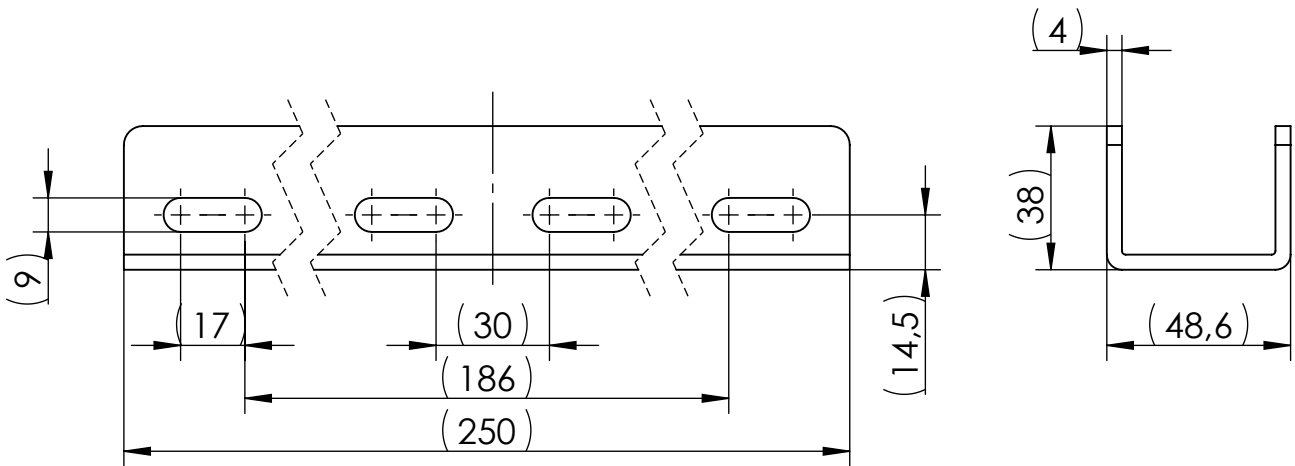
3

4

A

View without connecting elements

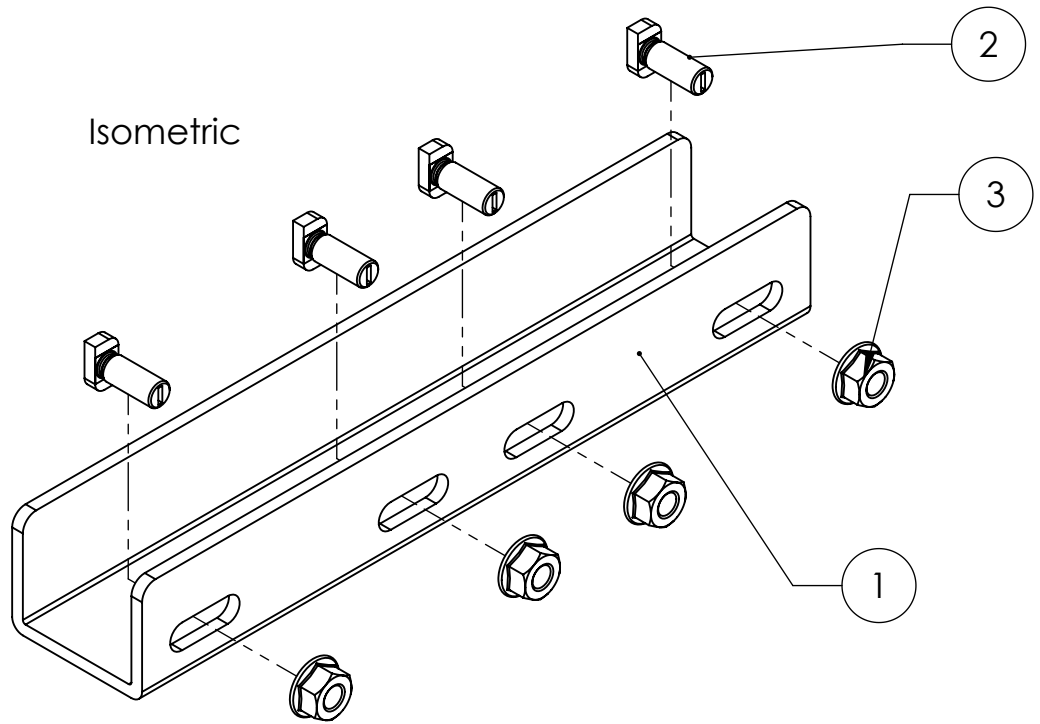
B



C

Isometric

D




The components are not pre-assembled

E

| Pos.No. | Item no. | Designation | Material | Quantity |
|---------|----------|--|----------------------|----------|
| 1 | 2001975 | SingleRail 36 RailConnector | EN AW 6063 T66 | 1 |
| 2 | 1002387 | T-Bolt 20/12 M8x20 | 1.4301 (X5CrNi18-10) | 4 |
| 3 | 1000043 | Hexagon flange nut serrated - sim. ISO 4161 - M8 - A2-70 | A2 | 4 |

F

| Rev. | Amendment | Date | Name | Weight: ca. 379,8 g / pc | Scale: 1:2 | Item no.: 2001976 | Revision: 03 | A4 | | | | |
|------|---------------------------|------------|------|---|------------|-------------------|--------------|----------------------|--|--|--|--------------|
| 03 | Designation changed | 06.03.2026 | CNI |  K2 Systems GmbH Haldenstr. 1 71272 Renningen Germany +49 7159 42059-0 | 1:2 | 2001976 | 03 | All dimensions in mm | | | | |
| 02 | old drawing no. 01-094-01 | 24.02.2026 | CNI | | | | | Tolerance ISO 8015 | | General Tolerance DIN ISO 2768:1991-mK | | Sheet 1 of 1 |
| Rev. | Amendment | Date | Name | | | | | | | | | |

This drawing is the sole property of K2 Systems GmbH. It is protected by copyright and may only be copied, reproduced or distributed to a third party with explicit permission!