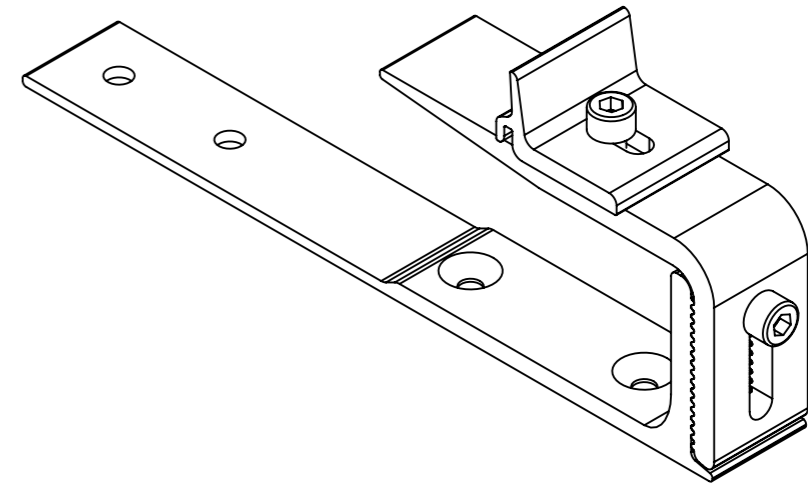
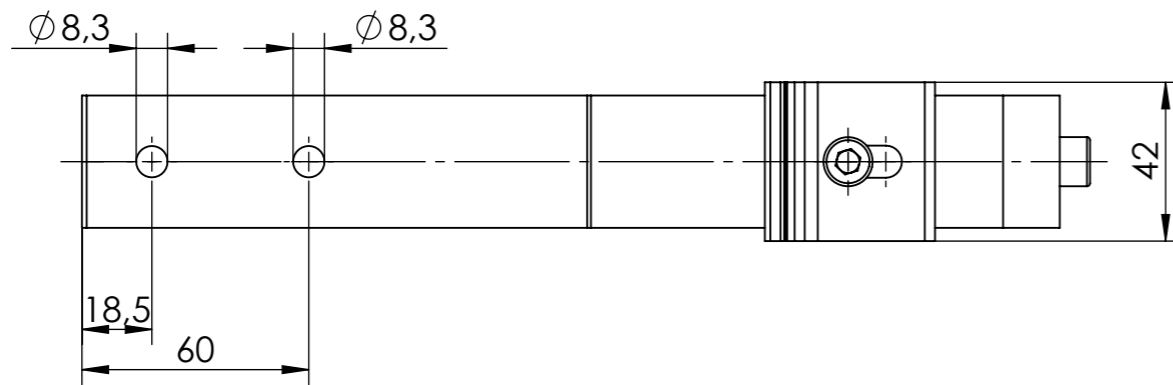


Isometric



Attention! - For increased safety and to prevent corrosion:

Use in coastal areas and in high humidity, screw M8-A2 (Pos.4) must be replaced with screw M8-A4 (item no.: 2005246).

Pos.No.	Item no.	Designation	Material	Quantity
1	2005240	SingleHook Slate Bracket Solo	EN AW 6063 T66	1
2	2003141	SingleHook 4S Angle	EN AW 6063 T66	1
3	2003140	Climber 36/50 Solo long-hole	EN AW 6063 T66	1
4	2001732	Socket head bolt - serrated - sim. ISO 4762 - M8x25 - A2-70	A2-70	2



K2 Systems GmbH
Haldenstr. 1
71272 Renningen
Germany
+49 7159 42059-0

Designation:

Data sheet
SingleHook Slate

	Name	Date	Material:
Designed	FGR	06.05.2026	-
Approved	KMA	06.05.2026	Surface: -
Last change			Weight: ca. 343.8 g /pc Scale: 1:2

Item no.:	Revision:	A3 All dimensions in mm Sheet 1 of 1
2005241	00	

This drawing is the sole property of K2 Systems GmbH. It is protected by copyright and may only be copied, reproduced or distributed to a third party with explicit permission!