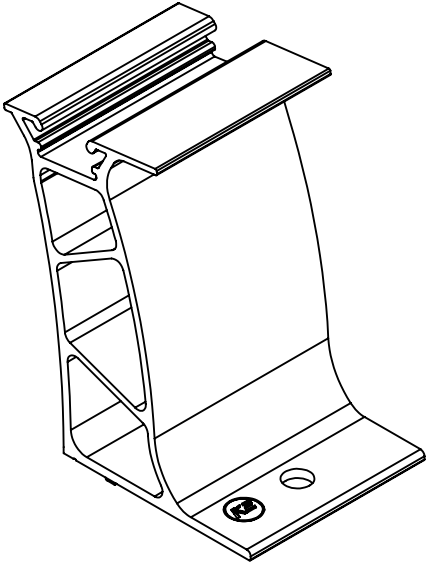


Isometric



K2 Systems GmbH
 Haldenstr. 1
 71272 Renningen
 Germany
 +49 7159 42059-0

Designation: **Data sheet
 Dome 6.07 SD**

Name	Date	Material:
Designed FGR	15.06.2026	EN AW 6063 T66
Approved JMA	16.06.2026	Surface: mill finish
Last change		Weight: ca. 201.7 g/pc Scale: 1:2

Item no.: 2005193	Revision: 00	A4 All dimensions in mm
Sheet 1 of 1		