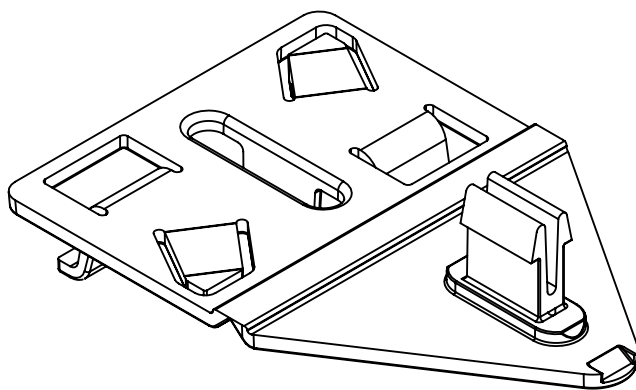


Isometric



K2 Systems GmbH  
 Haldenstr. 1  
 71272 Renningen  
 Germany  
 +49 7159 42059-0

Designation:

Data sheet  
 K2 OptiClip

Name	Date	Material:
Designed ASO	15.06.2026	PA 6 UV resistance
Approved GWO	15.06.2026	Surface: eroded VDI 33
Last change		Weight: ca. 12,3 g/pc Scale: 1:1

Item no.:	Revision:		A4
2005062	00		
		All dimensions in mm	
		Sheet 1 of 1	