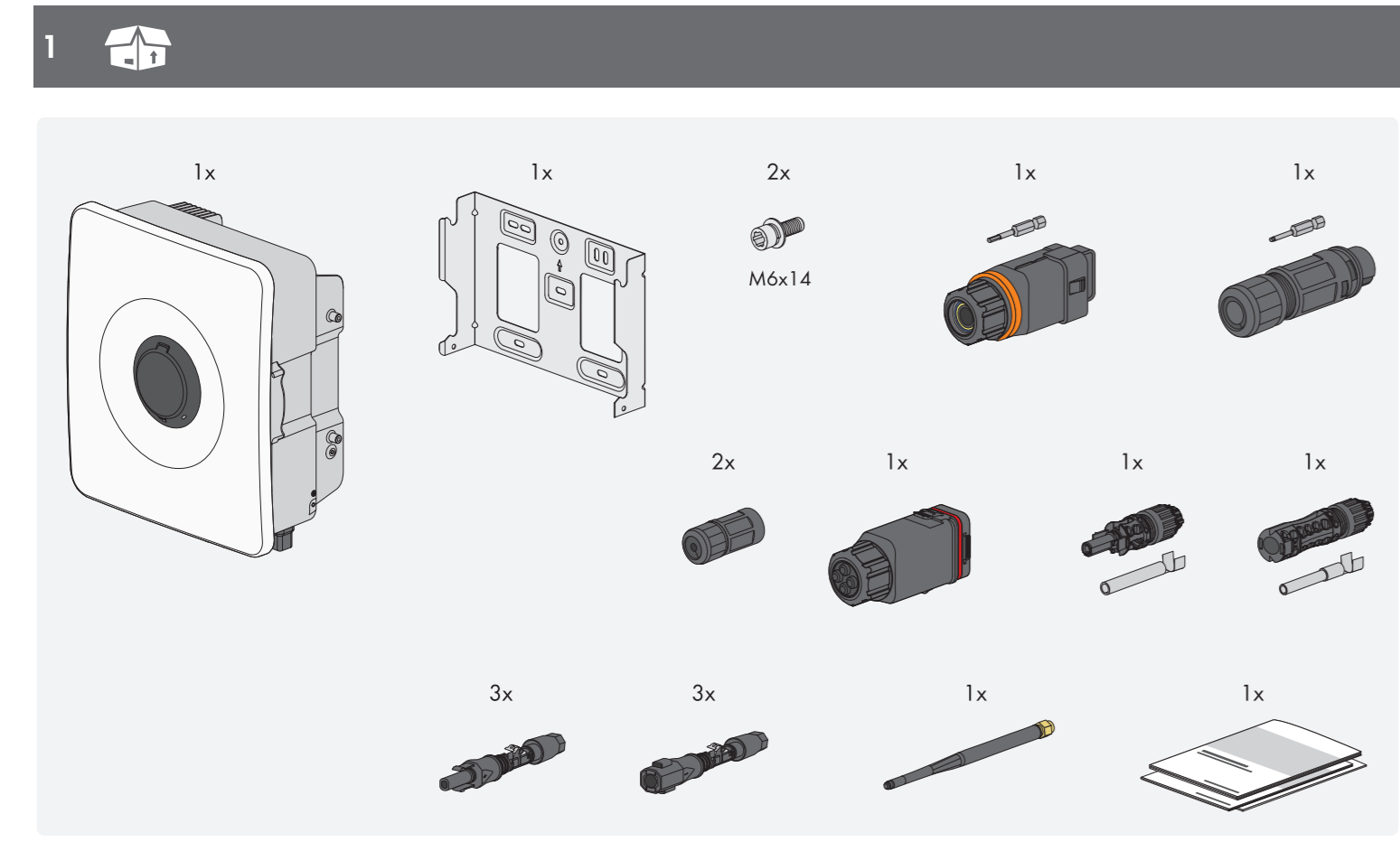


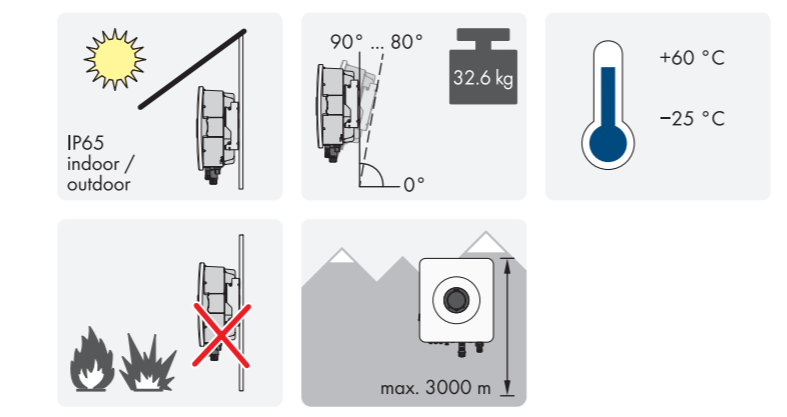


SUNNY TRIPOWER HYBRID X 5 / 6 / 8 / 10 / 12 / 15

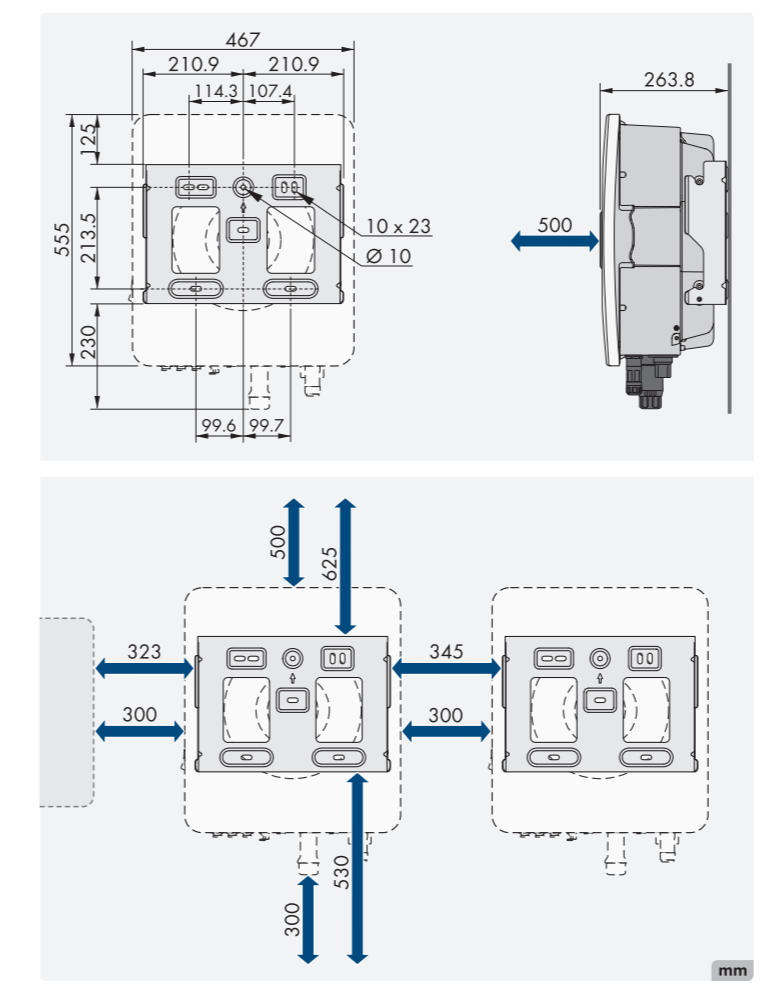
STPH5-60 / STPH6-60 / STPH8-60 / STPH10-60 / STPH12-60 / STPH15-60



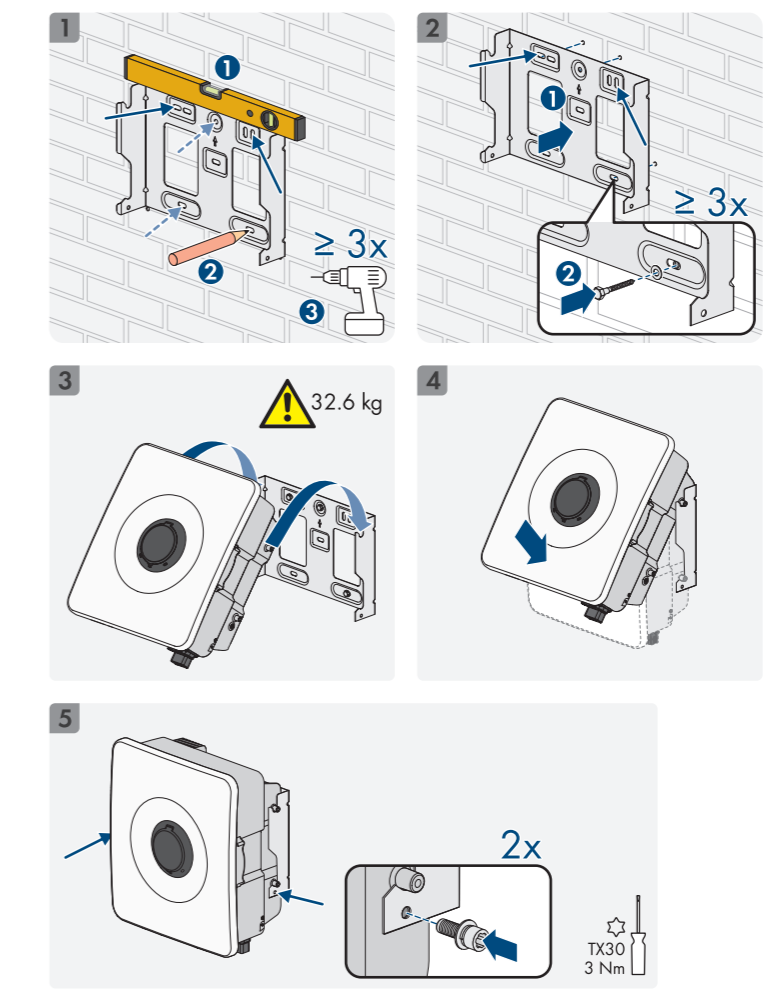
2



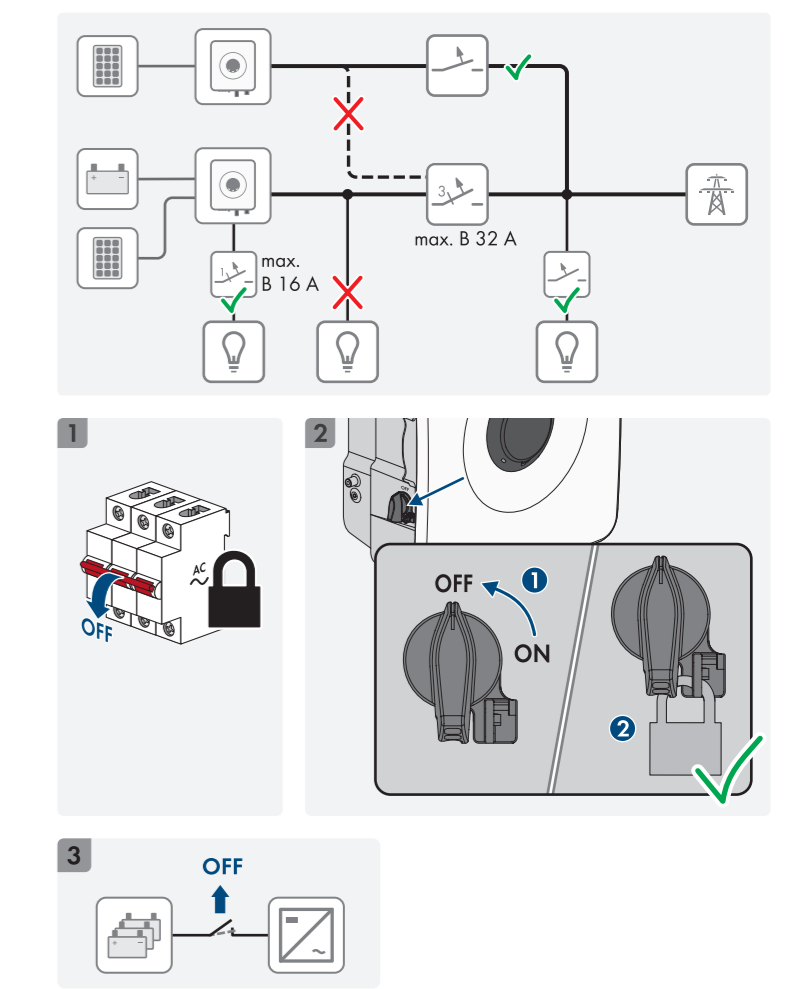
3



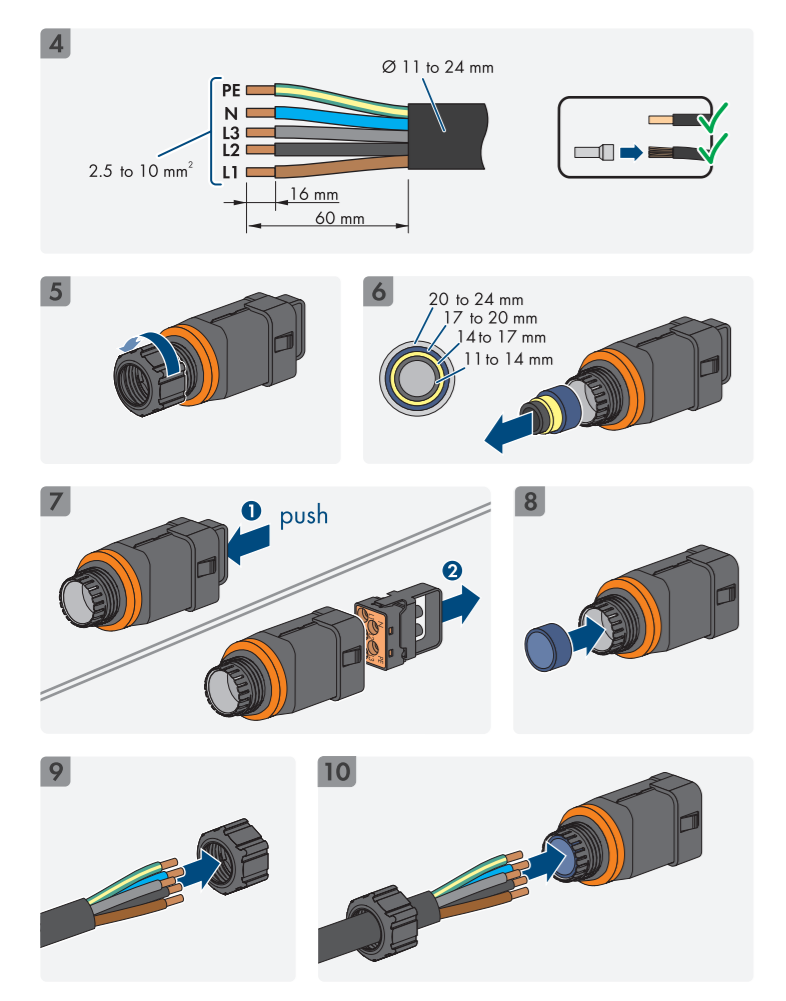
3



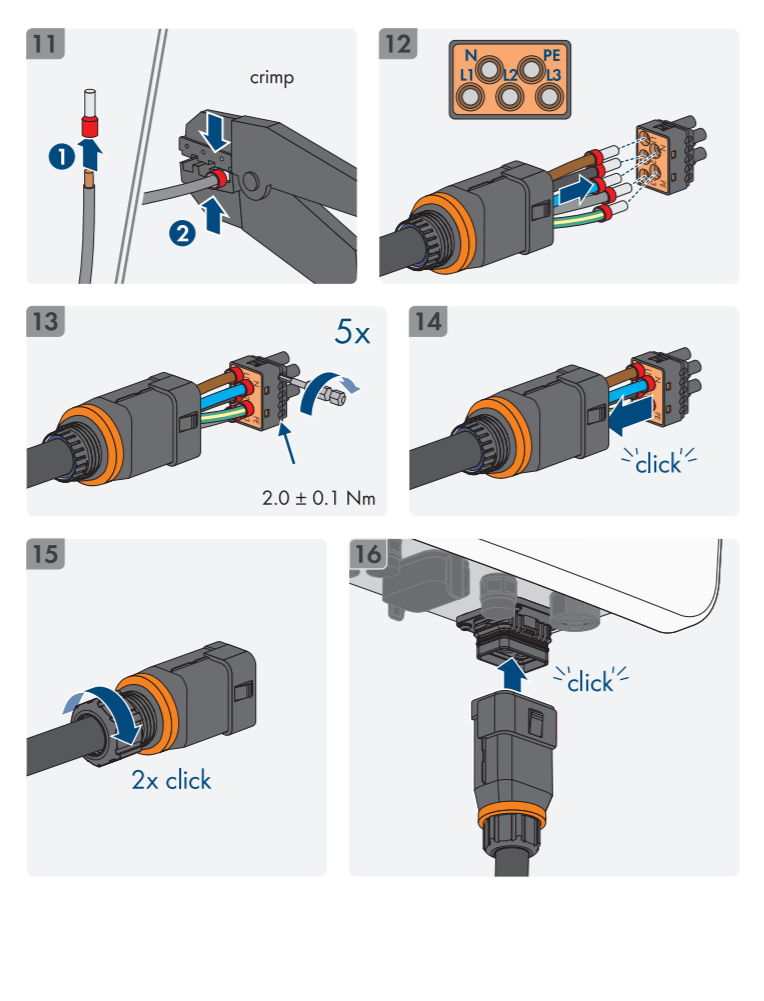
4



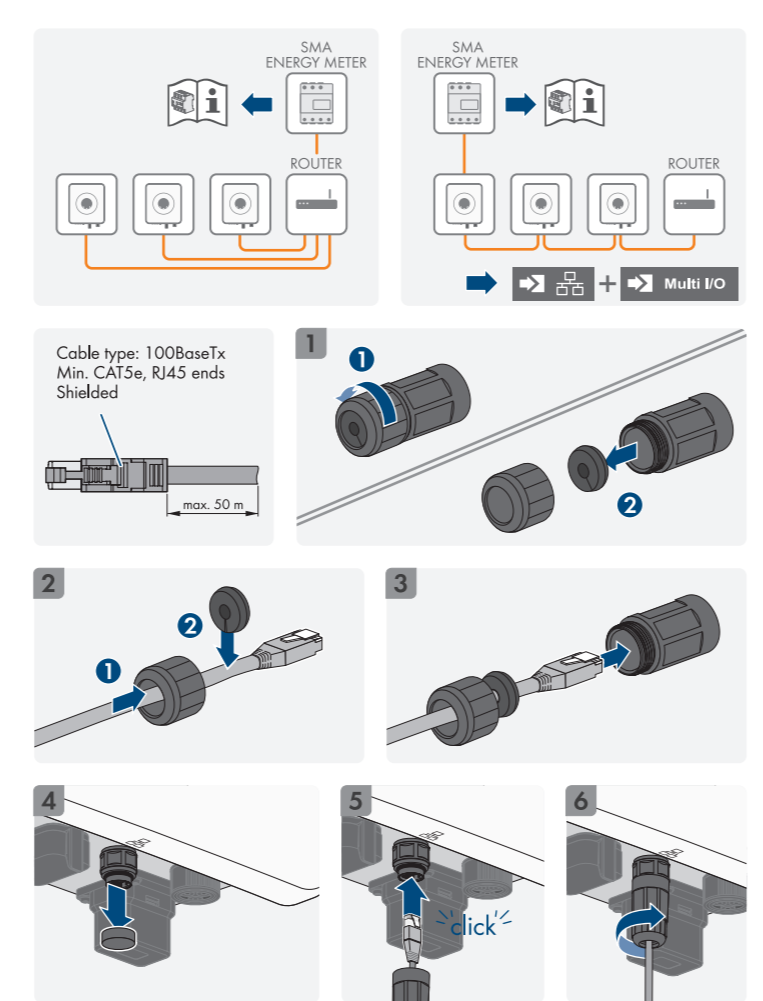
4



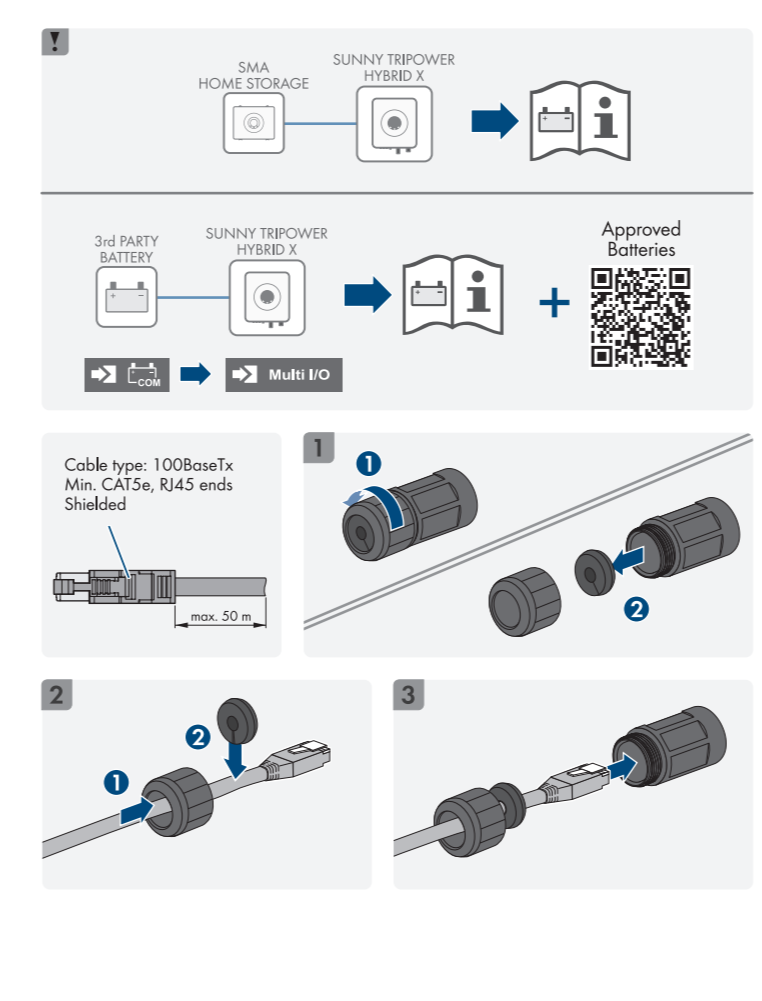
4



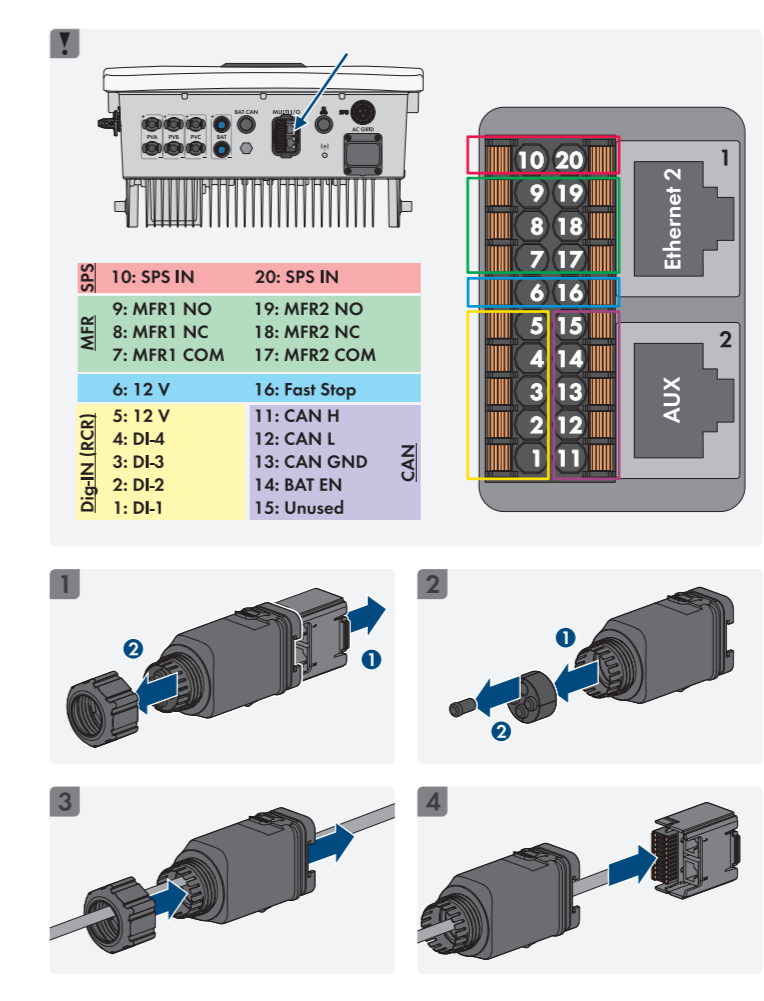
5



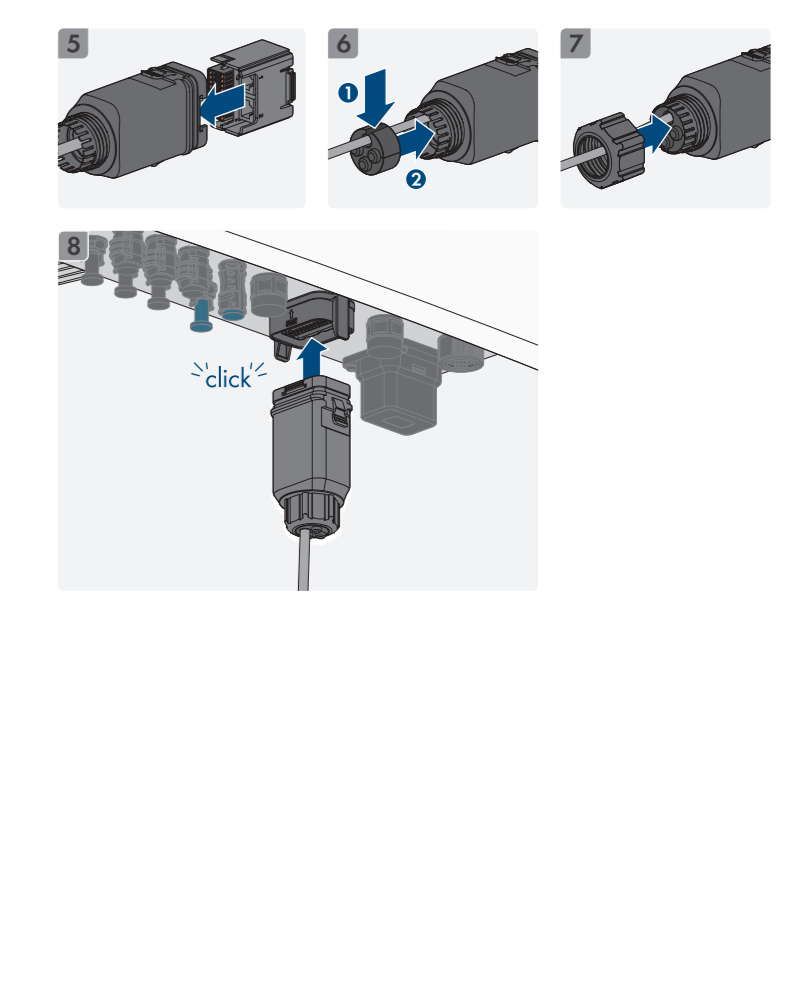
6 SMA HOME STORAGE



7



7



8

! BATTERY SUNNY TRIPOWER HYBRID X

1 OFF 2 3 BATTERY

tinned copper wire
 ≥ 7 10 mm² \varnothing 6.4 to 8.4 mm
 Battery DC
 max. 10 m I = 50 A V > 600 Vdc

4

8

5 6

7 **!**

8 "click"

8

9 **!**

PV-MS 4 Nm

10 11 "click"

9

SOLAR DC
 ≥ 7 2.5 to 6 mm² \varnothing 5.5 to 8 mm V > 1100 Vdc
 -15 mm

1 2 3 4

2x/4x/6x 3x

10

! optional 1x

M6 2.5 to 10 mm² 12 mm

1 crimp

2 3 TX30 3 Nm

11

1 2 OFF ON

3 OFF

4 crimp

5 1 2 3

1.5 to 6 mm² 33 mm \varnothing 9 to 15.5 mm
 10 mm 30 mm

11

6 7

8 PE 9 3x 1.0 ± 0.1 Nm

10 "click"

11 "click"

12 "click"

13 "click"

12 ON

1 2 OFF ON

3 ON

4 ~5 min

13 SMA 360° APP

1 SMA 360°

2 3 4

5 6

WPS LAN

14 System data

System Data

Topology	no galvanic isolation		
Overvoltage category in accordance with IEC 60664-1	II (DC), III (AC)		
Protection class in accordance with IEC 61140	I		
All-pole sensitive residual-current monitoring unit	integrated		
Maximum permissible value for relative humidity, condensing	100 %		
Extended humidity range according to IEC 60721-3-4	0 % to 100 %		
Pollution degree inside the enclosure	2		
Pollution degree outside the enclosure	3		

AC

	STPH5-60	STPH6-60	STPH8-60
P _{AC} (@230 V)	5 kW	6 kW	8 kW
S (@cos φ = 1, 230 V)	5 kVA	6 kVA	8 kVA
V _{AC, r}	220 V / 230 V / 240 V		
V _{AC, range}	184 V to 264 V		
I _{AC, max}	7,6 A	9,1 A	12,1 A
I _{AC, max} (Backup)	16 A		

14 System data

	STPH5-60	STPH6-60	STPH8-60
f _{AC}	50 Hz		
cos φ	0.8 overexcited to 0.8 underexcited		
P _{AC} (@230 V)	10 kW	12 kW	15 kW
S (@cos φ = 1, 230 V)	10 kVA	12 kVA	15 kVA
V _{AC, r}	220 V / 230 V / 240 V		
V _{AC, range}	184 V to 264 V		
I _{AC, max}	15,2 A	18,2 A	22,7 A
I _{AC, max} (Backup)	16 A	22,7 A	22,7 A
f _{AC}	50 Hz		
cos φ	0.8 overexcited to 0.8 underexcited		

DC

	STPH5-60	STPH6-60	STPH8-60
Max. generator power	7500 Wp	9000 Wp	12000 Wp
V _{DC, max}	1000 V		
V _{DC, MPP}	90 V to 850 V		
V _{DC, initial input}	100 V		
I _{DC, max} usable input A / B	18 A		
I _{SC} PV max, all inputs	24 A		

14 System data

	STPH10-60	STPH12-60	STPH15-60
Max. generator power	15000 Wp	18000 Wp	22500 Wp
V _{DC, max}	1000 V		
V _{DC, MPP}	90 V to 850 V		
V _{DC, initial input}	100 V		
I _{DC, max} usable input A / B	18 A		
I _{SC} PV max, all inputs	24 A		

Battery

Type	Li-ion battery
V _{DC, max}	600 V
V _{DC, min}	80 V
I _{DC, max}	50 A