



SolarEdge Nexus Information Center

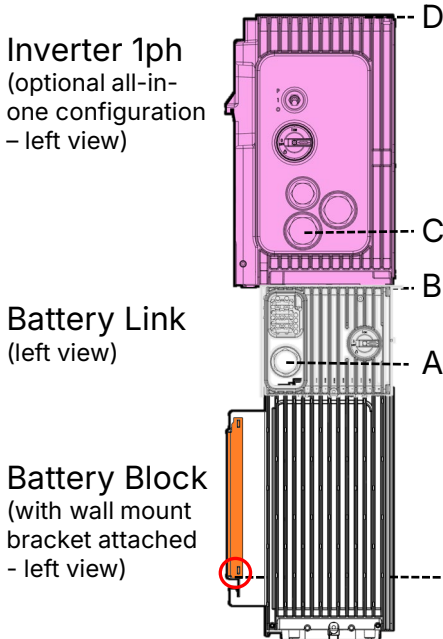
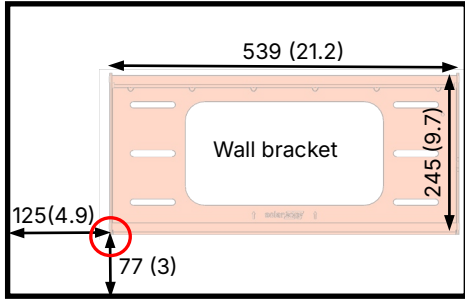
SolarEdge Nexus Wall Mount Bracket

PN: IAC-NX-BLCKWMB-01

Product Guide

Planning:

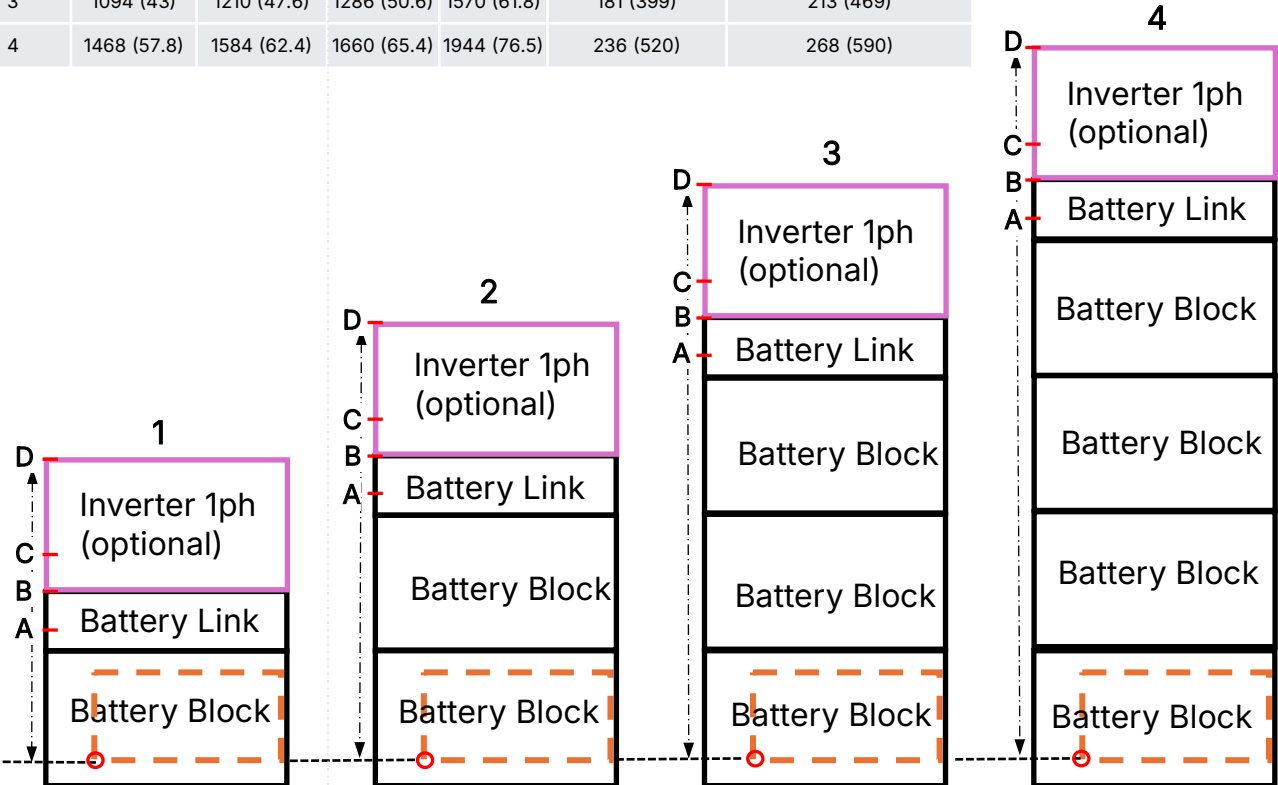
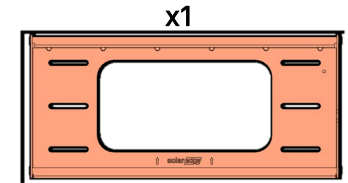
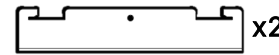
Battery Block front view – mm (in)



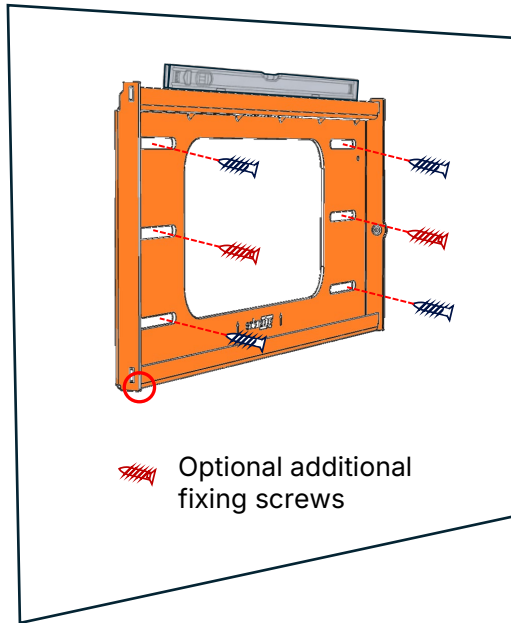
The Wall Mount Bracket is connected to the bottom Battery Block and is designed to carry the weight of the entire stack. Make sure to consider the dimensions in the table below for accurate planning.

Stack #	A mm (in)	B mm (in)	C mm (in)	D mm (in)	Total weight – Battery kg (lb)	Total weight – Battery + 1ph Inverter kg (lb)
1	346 (13.6)	462 (18.2)	538 (21.2)	822 (32.4)	71 (156)	103 (227)
2	720 (28.4)	836 (33)	912 (35.9)	1196 (47.1)	126 (277)	158 (348)
3	1094 (43)	1210 (47.6)	1286 (50.6)	1570 (61.8)	181 (399)	213 (469)
4	1468 (57.8)	1584 (62.4)	1660 (65.4)	1944 (76.5)	236 (520)	268 (590)

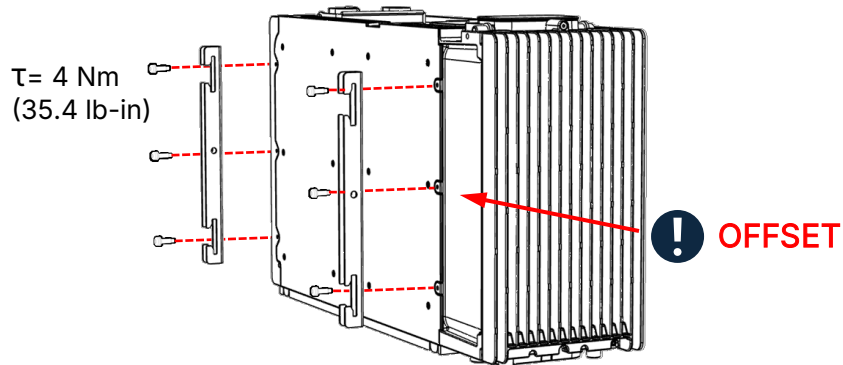
What's in the box:



Installation:

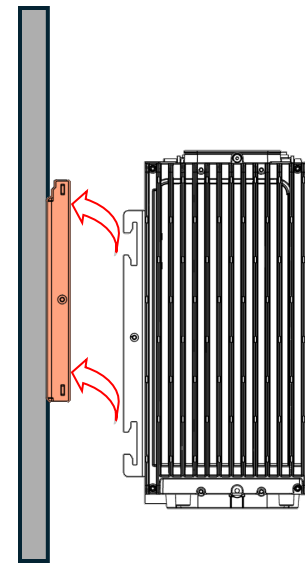


- 1 Level the wall bracket and attach it to the wall.



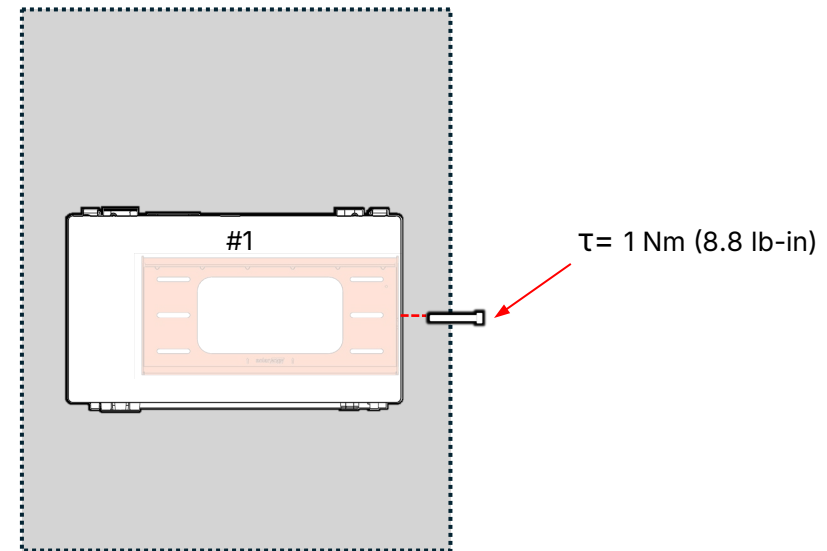
- 2 Attach the Battery Block brackets to the first block.
Recommended tool: Torx T25 long-shank magnetic.

! MAKE SURE TO TAKE INTO ACCOUNT THAT THE BATTERY BLOCK IS OFFSET RELATIVE TO THE WALL BRACKET.



- 3 Hang the first Battery Block on the wall bracket

- 4 Secure the first Battery Block to the wall bracket



! To complete the building of the Battery Stack, refer to the SolarEdge Nexis Solution QIG in the [SolarEdge Nexis Info Center](#).