

**SUN2000-(3K-6K)-LB0 Series**

# **User Manual**

**Issue**                    06  
**Date**                     2026-03-30



**Copyright © Huawei Digital Power Technologies Co., Ltd. 2026. All rights reserved.**

No part of this document may be reproduced or transmitted in any form or by any means without prior written consent of Huawei Digital Power Technologies Co., Ltd.

## **Trademarks and Permissions**



HUAWEI and other Huawei trademarks are the property of Huawei Technologies Co., Ltd.

All other trademarks and trade names mentioned in this document are the property of their respective holders.

## **Notice**

The purchased products, services and features are stipulated by the contract made between Huawei Digital Power Technologies Co., Ltd. and the customer. All or part of the products, services and features described in this document may not be within the purchase scope or the usage scope. Unless otherwise specified in the contract, all statements, information, and recommendations in this document are provided "AS IS" without warranties, guarantees or representations of any kind, either express or implied. The information in this document is subject to change without notice. Every effort has been made in the preparation of this document to ensure accuracy of the contents, but all statements, information, and recommendations in this document do not constitute a warranty of any kind, express or implied.

## **Huawei Digital Power Technologies Co., Ltd.**

Address: Huawei Digital Power Antuoshan Headquarters  
Futian, Shenzhen 518043  
People's Republic of China

Website: <https://digitalpower.huawei.com>

### **More Information**

Huawei Digital Power Information Experience Center

<https://info.support.huawei.com/Energy/info>



---

# About This Document

---

## Purpose

This document describes the following inverter models in terms of the safety precautions, product introduction, installation, electrical connections, power-on and commissioning, maintenance, and technical specifications. Read this document carefully before installing and operating the inverter.

- SUN2000-3K-LB0
- SUN2000-3.68K-LB0
- SUN2000-4K-LB0
- SUN2000-4.6K-LB0
- SUN2000-5K-LB0
- SUN2000-6K-LB0

## Statement

In this document, LUNA only refers to a specific model of Huawei Smart String ESS.


## Intended Audience





This document is intended for:

- Installers
- Users

## Symbol Conventions

The symbols that may be found in this document are defined as follows.

Symbol	Description
	Indicates a hazard with a high level of risk which, if not avoided, will result in death or serious injury.

Symbol	Description
	Indicates a hazard with a medium level of risk which, if not avoided, could result in death or serious injury.
	Indicates a hazard with a low level of risk which, if not avoided, could result in minor or moderate injury.
	Indicates a potentially hazardous situation which, if not avoided, could result in equipment damage, data loss, performance deterioration, or unanticipated results. NOTICE is used to address practices not related to personal injury.
	Supplements the important information in the main text. NOTE is used to address information not related to personal injury, equipment damage, and environment deterioration.

## Change History

Changes between document issues are cumulative. The latest document issue contains all the changes made in earlier issues.

### Issue 06 (2026-03-30)

- Updated [1.2 Electrical Safety](#).
- Updated [7.2 Device Commissioning](#).
- Updated [A Grid Codes](#).
- Updated the name of the App.
- Updated the name of the Smart Guard.
- Updated the name of the optimizer.

### Issue 05 (2025-12-30)

- Updated [5.2 Preparing Cables](#).
- Updated [A Grid Codes](#).

### Issue 04 (2025-09-30)

- Changed "Energy Management Assistant" to "SmartAssistant" throughout the document.
- Updated [2.2 Networking](#).
- Updated [A Grid Codes](#).
- Added [E System Shutdown via DI](#).

### Issue 03 (2025-07-25)

- Updated [2.2 Networking](#).

- Updated [5.2 Preparing Cables](#).
- Updated [5.8 \(Optional\) Installing the Smart Dongle and Anti-theft Components](#).

### **Issue 02 (2025-07-01)**

- Added AFCI.
- Added Resetting the Password for Logging In to the Local Commissioning Screen.
- Added One-Click Network Disconnection Settings.
- Added Resetting the Password for Logging In to the Local Commissioning Screen.

### **Issue 01 (2025-04-03)**

This issue is the first official release.

---

# Contents

---

<b>About This Document.....</b>	<b>ii</b>
<b>1 Safety Information.....</b>	<b>1</b>
1.1 Personal Safety.....	2
1.2 Electrical Safety.....	4
1.3 Environment Requirements.....	7
1.4 Mechanical Safety.....	9
<b>2 Overview.....</b>	<b>13</b>
2.1 Model Number Description.....	13
2.2 Networking.....	14
2.3 Appearance.....	20
2.4 Working Modes.....	21
2.5 Label Description.....	22
<b>3 Storage Requirements.....</b>	<b>25</b>
<b>4 Installation.....</b>	<b>26</b>
4.1 Installation Modes.....	26
4.2 Installation Requirements.....	26
4.2.1 Site Selection Requirements.....	26
4.2.2 Clearance Requirements.....	27
4.2.3 Angle Requirements.....	29
4.3 Tools.....	29
4.4 Checking Before Installation.....	31
4.5 Moving the Inverter.....	32
4.6 Installing the Inverter on a Wall.....	32
4.7 Installing the Inverter on a Support.....	35
<b>5 Electrical Connections.....</b>	<b>38</b>
5.1 Precautions.....	38
5.2 Preparing Cables.....	39
5.3 Connecting a PE Cable.....	43
5.4 Connecting an AC Output Power Cable.....	45
5.5 Connecting DC Input Power Cables.....	48
5.6 (Optional) Connecting Battery Cables.....	53

5.7 Connecting Signal Cables.....	55
5.7.1 Connecting RS485 Communications Cables (Inverter Cascading).....	59
5.7.2 Connecting RS485 Communications Cables (SmartAssistant and Battery).....	61
5.7.3 Connecting RS485 Communications Cables (Smart Guard and Battery).....	63
5.7.4 Connecting RS485 Communications Cables (Power Meter and Battery).....	66
5.7.5 Connecting Rapid Shutdown Signal Cables.....	69
5.8 (Optional) Installing the Smart Dongle and Anti-theft Components.....	71
5.9 Installing an Antenna.....	72
<b>6 Check Before Power-On.....</b>	<b>74</b>
<b>7 Power-On and Commissioning.....</b>	<b>75</b>
7.1 Powering On the Inverter.....	75
7.2 Device Commissioning.....	77
7.3 Viewing the Plant Creation Status.....	78
<b>8 System Maintenance.....</b>	<b>80</b>
8.1 Routine Maintenance.....	80
8.2 System Power-Off.....	82
8.3 Troubleshooting.....	82
8.4 Replacing an Inverter.....	82
8.5 Locating Insulation Resistance Faults.....	83
<b>9 Technical Specifications.....</b>	<b>86</b>
<b>A Grid Codes.....</b>	<b>93</b>
<b>B Baud Rate Negotiation.....</b>	<b>99</b>
<b>C Resetting Password.....</b>	<b>103</b>
<b>D Rapid Shutdown.....</b>	<b>104</b>
<b>E System Shutdown via DI.....</b>	<b>105</b>
<b>F Contact Information.....</b>	<b>106</b>
<b>G Digital Power Customer Service.....</b>	<b>108</b>
<b>H Certificate Management and Maintenance.....</b>	<b>109</b>
H.1 Initial Certificate Risk Disclaimer.....	109
H.2 Application Scenarios of initial Certificates.....	110
<b>I Acronyms and Abbreviations.....</b>	<b>111</b>

# 1 Safety Information

---

## Statement

**Before transporting, storing, installing, operating, using, and/or maintaining the equipment, read this document, strictly follow the instructions provided herein, and follow all the safety instructions on the equipment and in this document.** In this document, "equipment" refers to the products, software, components, spare parts, and/or services related to this document; "the Company" refers to the manufacturer (producer), seller, and/or service provider of the equipment; "you" refers to the entity that transports, stores, installs, operates, uses, and/or maintains the equipment.

The **Danger, Warning, Caution, and Notice** statements described in this document do not cover all the safety precautions. You also need to comply with relevant international, national, or regional standards and industry practices. **The Company shall not be liable for any consequences that may arise due to violations of safety requirements or safety standards concerning the design, production, and usage of the equipment.**

The equipment shall be used in an environment that meets the design specifications. Otherwise, the equipment may be faulty, malfunctioning, or damaged, which is not covered under the warranty. The Company shall not be liable for any property loss, personal injury, or even death caused thereby.

Comply with applicable laws, regulations, standards, and specifications during transportation, storage, installation, operation, use, and maintenance.

Do not perform reverse engineering, decompilation, disassembly, adaptation, implantation, or other derivative operations on the equipment software. Do not study the internal implementation logic of the equipment, obtain the source code of the equipment software, violate intellectual property rights, or disclose any of the performance test results of the equipment software.

**The Company shall not be liable for any of the following circumstances or their consequences:**

- The equipment is damaged due to force majeure such as earthquakes, floods, volcanic eruptions, debris flows, lightning strikes, fires, wars, armed conflicts, typhoons, hurricanes, tornadoes, and other extreme weather conditions.
- The equipment is operated beyond the conditions specified in this document.

- The equipment is installed or used in environments that do not comply with international, national, or regional standards.
- The equipment is installed or used by unqualified personnel.
- You fail to follow the operation instructions and safety precautions on the product and in the document.
- You remove or modify the product or modify the software code without authorization.
- You or a third party authorized by you cause the equipment damage during transportation.
- The equipment is damaged due to storage conditions that do not meet the requirements specified in the product document.
- You fail to prepare materials and tools that comply with local laws, regulations, and related standards.
- The equipment is damaged due to your or a third party's negligence, intentional breach, gross negligence, or improper operations, or other reasons not related to the Company.

## 1.1 Personal Safety

---

 **DANGER**

Ensure that power is off during installation. Do not install or remove a cable with power on. Transient contact between the core of the cable and the conductor will generate electric arcs or sparks, which may cause a fire or personal injury.

---

---

 **DANGER**

Non-standard and improper operations on the energized equipment may cause fire, electric shocks, or explosion, resulting in property damage, personal injury, or even death.

---

---

 **DANGER**

Before operations, remove conductive objects such as watches, bracelets, bangles, rings, and necklaces to prevent electric shocks.

---

---

 **DANGER**

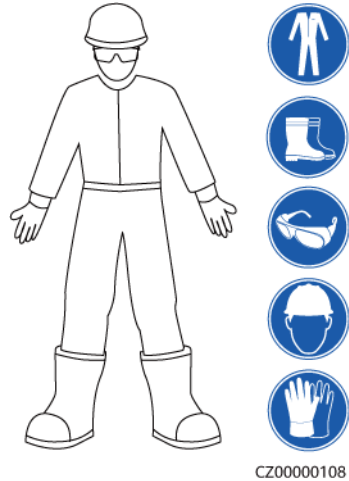
During operations, use dedicated insulated tools to prevent electric shocks or short circuits. The dielectric withstanding voltage level must comply with local laws, regulations, standards, and specifications.

---

**WARNING**

During operations, wear personal protective equipment such as protective clothing, insulated shoes, goggles, safety helmets, and insulated gloves.

**Figure 1-1** Personal protective equipment



## General Requirements

- Do not stop protective devices. Pay attention to the warnings, cautions, and related precautionary measures in this document and on the equipment.
- If there is a likelihood of personal injury or equipment damage during operations, immediately stop, report the case to the supervisor, and take feasible protective measures.
- Do not power on the equipment before it is installed or confirmed by professionals.
- Do not touch the power supply equipment directly or with conductors such as damp objects. Before touching any conductor surface or terminal, measure the voltage at the contact point to ensure that there is no risk of electric shock.
- Do not touch operating equipment because the enclosure is hot.
- Do not touch a running fan with your hands, components, screws, tools, or boards. Otherwise, personal injury or equipment damage may occur.
- In the case of a fire, immediately leave the building or the equipment area and activate the fire alarm or call emergency services. Do not enter the affected building or equipment area under any circumstances.

## Personnel Requirements

- Only professionals and trained personnel are allowed to operate the equipment.
  - Professionals: personnel who are familiar with the working principles and structure of the equipment, trained or experienced in equipment operations and are clear of the sources and degree of various potential hazards in equipment installation, operation, maintenance

- Trained personnel: personnel who are trained in technology and safety, have required experience, are aware of possible hazards on themselves in certain operations, and are able to take protective measures to minimize the hazards on themselves and other people
- Personnel who plan to install or maintain the equipment must receive adequate training, be able to correctly perform all operations, and understand all necessary safety precautions and local relevant standards.
- Only qualified professionals or trained personnel are allowed to install, operate, and maintain the equipment.
- Only qualified professionals are allowed to remove safety facilities and inspect the equipment.
- Personnel who will perform special tasks such as electrical operations, working at heights, and operations of special equipment must possess the required local qualifications.
- Only authorized professionals are allowed to replace the equipment or components (including software).
- Only personnel who need to work on the equipment are allowed to access the equipment.

## 1.2 Electrical Safety

---

 **DANGER**

Before connecting cables, ensure that the equipment is intact. Otherwise, electric shocks or fire may occur.

---

---

 **DANGER**

Non-standard and improper operations may result in fire or electric shocks.

---

---

 **DANGER**

Prevent foreign matter from entering the equipment during operations. Otherwise, equipment short-circuits or damage, load power derating, power failure, or personal injury may occur.

---

---

 **WARNING**

For the equipment that needs to be grounded, install the ground cable first when installing the equipment and remove the ground cable last when removing the equipment.

---

---

 **WARNING**

During the installation of PV strings and the inverter, the positive or negative terminals of PV strings may be short-circuited to ground if the power cables are not properly installed or routed. In this case, an AC or DC short circuit may occur and damage the inverter. The resulting device damage is not covered under any warranty.

---

---

 **CAUTION**

Do not route cables near the air intake or exhaust vents of the equipment.

---

---

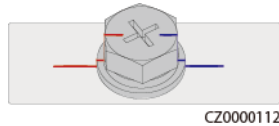
 **CAUTION**

The components (such as power distribution boxes, circuit breakers, and cables) used for electrical connections shall comply with fire resistance and flame retardance standards (such as IEC 60670-1). The materials and structure shall meet fire safety requirements.

---

## General Requirements

- Follow the procedures described in the document for installation, operation, and maintenance. Do not reconstruct or alter the equipment, add components, or change the installation sequence without permission.
- Obtain approval from the national or local electric utility company before connecting the equipment to the grid.
- Observe the power plant safety regulations, such as the operation and work ticket mechanisms.
- Install temporary fences or warning ropes and hang "No Entry" signs around the operation area to keep unauthorized personnel away from the area.
- Before installing or removing power cables, turn off the switches of the equipment and its upstream and downstream switches.
- Before performing operations on the equipment, check that all tools meet the requirements and record the tools. After the operations are complete, collect all of the tools to prevent them from being left inside the equipment.
- Before installing power cables, check that cable labels are correct and cable terminals are insulated.
- When installing the equipment, use a torque tool of a proper measurement range to tighten the screws. When using a wrench to tighten the screws, ensure that the wrench does not tilt and the torque error does not exceed 10% of the specified value.
- Ensure that bolts are tightened with a torque tool and marked in red and blue after double-check. Installation personnel mark tightened bolts in blue. Quality inspection personnel confirm that the bolts are tightened and then mark them in red. (The marks must cross the edges of the bolts.)



- If the equipment has multiple inputs, disconnect all the inputs and wait until the equipment is completely powered off before performing operations on the equipment.
- Before maintaining a downstream electrical or power distribution device, turn off the output switch on the power supply equipment.
- During equipment maintenance, attach "Do not switch on" labels near the upstream and downstream switches or circuit breakers as well as warning signs to prevent accidental connection. The equipment can be powered on only after troubleshooting is complete.
- Do not open equipment panels.
- Check equipment connections periodically, ensuring that all screws are securely tightened.
- Only qualified professionals can replace a damaged cable.
- Do not scrawl, damage, or block any labels or nameplates on the equipment. Promptly replace labels that have worn out.
- Do not use solvents such as water, alcohol, or oil to clean electrical components inside or outside of the equipment.

## Grounding

- Ensure that the grounding impedance of the equipment complies with local electrical standards.
- Ensure that the equipment is connected permanently to the protective ground. Before operating the equipment, check its electrical connection to ensure that it is reliably grounded.
- Do not work on the equipment in the absence of a properly installed ground conductor.
- Do not damage the ground conductor.

## Cabling Requirements

- When selecting, installing, and routing cables, follow local safety regulations and rules.
- When routing power cables, ensure that there is no coiling or twisting. Do not join or weld power cables. If necessary, use a longer cable.
- Ensure that all cables are properly connected and insulated, and meet specifications.
- Ensure that the slots and holes for routing cables are free from sharp edges, and that the positions where cables are routed through pipes or cable holes are equipped with cushion materials to prevent the cables from being damaged by sharp edges or burrs.
- Ensure that cables of the same type are bound together neatly and straight and that the cable sheath is intact. When routing cables of different types, ensure that they are away from each other without entanglement and overlapping.

- Secure buried cables using cable supports and cable clips. Ensure that the cables in the backfill area are in close contact with the ground to prevent cable deformation or damage during backfilling.
- If the external conditions (such as the cable layout or ambient temperature) change, verify the cable usage in accordance with the IEC-60364-5-52 or local laws and regulations. For example, check that the current-carrying capacity meets requirements.
- When routing cables, reserve at least 30 mm clearance between the cables and heat-generating components or areas. This prevents deterioration or damage to the cable insulation layer.

## 1.3 Environment Requirements

---

 **DANGER**

Do not expose the equipment to flammable or explosive gas or smoke. Do not perform any operation on the equipment in such environments.

---

---

 **DANGER**

Do not store any flammable or explosive materials in the equipment area.

---

---

 **DANGER**

Do not place the equipment near heat sources or fire sources, such as smoke, candles, heaters, or other heating devices. Overheat may damage the equipment or cause a fire.

---

---

 **WARNING**

Install the equipment in an area far away from liquids. Do not install it under areas prone to condensation, such as under water pipes and air exhaust vents, or areas prone to water leakage, such as air conditioner vents, ventilation vents, or feeder windows of the equipment room. Ensure that no liquid enters the equipment to prevent faults or short circuits.

---

---

 **WARNING**

To prevent damage or fire due to high temperature, ensure that the ventilation vents or heat dissipation systems are not obstructed or covered by other objects while the equipment is running.

---

## General Requirements

- Store the equipment according to the storage requirements. Equipment damage caused by unqualified storage conditions is not covered under the warranty.
- Keep the installation and operating environments of the equipment within the allowed ranges. Otherwise, its performance and safety will be compromised.
- The operating temperature range provided in the equipment's technical specifications refers to the ambient temperatures in equipment's installation environment.
- Do not install, use, or operate outdoor equipment and cables (including but not limited to moving equipment, operating equipment and cables, inserting connectors to or removing connectors from signal ports connected to outdoor facilities, working at heights, performing outdoor installation, and opening doors) in harsh weather conditions such as lightning, rain, snow, and level 6 or stronger wind.
- Do not install the equipment in an environment with dust, smoke, volatile or corrosive gases, infrared and other radiations, organic solvents, or salty air.
- Do not install the equipment in an environment with conductive metal or magnetic dust.
- Do not install the equipment in an area conducive to the growth of microorganisms such as fungus or mildew.
- Do not install the equipment in an area with strong vibration, noise, or electromagnetic interference.
- Ensure that the site complies with local laws, regulations, and related standards.
- Ensure that the ground in the installation environment is solid, free from spongy or soft soil, and not prone to subsidence. The site must not be located in a low-lying land prone to water or snow accumulation, and the horizontal level of the site must be above the highest water level of that area in history.
- Do not install the equipment in a position that may be submerged in water.
- If the equipment is installed in a place with abundant vegetation, in addition to routine weeding, harden the ground underneath the equipment using cement or gravel (the area shall be greater than or equal to 3 m x 2.5 m).
- Do not install the equipment outdoors in salt-affected areas because it may be corroded. A salt-affected area refers to the region within 500 m of the coast or prone to sea breeze. Regions prone to sea breeze vary with weather conditions (such as typhoons and monsoons) or terrains (such as dams and hills).
- Before installation, operation, and maintenance, clean up any water, ice, snow, or other foreign objects on the top of the equipment.
- When installing the equipment, ensure that the installation surface is solid enough to bear the weight of the equipment.
- After installing the equipment, remove the packing materials such as cartons, foam, plastics, and cable ties from the equipment area.

## 1.4 Mechanical Safety

### WARNING

Ensure that all necessary tools are ready and inspected by a professional organization. Do not use tools that have signs of scratches or fail to pass the inspection or whose inspection validity period has expired. Ensure that the tools are secure and not overloaded.

### WARNING

Do not drill holes into the equipment. Doing so may affect the sealing performance and electromagnetic containment of the equipment and damage components or cables inside. Metal shavings from drilling may short-circuit boards inside the equipment.

## General Requirements

- Repaint any paint scratches caused during equipment transportation or installation in a timely manner. Equipment with scratches must not be exposed for an extended period of time.
- Do not perform operations such as arc welding and cutting on the equipment without evaluation by the Company.
- Do not install other devices on the top of the equipment without evaluation by the Company.
- When performing operations over the top of the equipment, take measures to protect the equipment against damage.
- Use correct tools and operate them in the correct way.

## Moving Heavy Objects

- Be cautious to prevent injury when moving heavy objects.



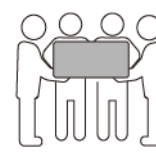
< 18 kg  
(< 40 lbs)



18–32 kg  
(40–70 lbs)



32–55 kg  
(70–121 lbs)



55–68 kg  
(121–150 lbs)



> 68 kg  
(> 150 lbs)

CZ0000110

- If multiple persons need to move a heavy object together, determine the manpower and work division with consideration of height and other conditions to ensure that the weight is equally distributed.
- If two persons or more move a heavy object together, ensure that the object is lifted and landed simultaneously and moved at a uniform pace under the supervision of one person.

- Wear personal protective gears such as protective gloves and shoes when manually moving the equipment.
- To move an object by hand, approach to the object, squat down, and then lift the object gently and stably by the force of the legs instead of your back. Do not lift it suddenly or turn your body around.
- Do not quickly lift a heavy object above your waist. Place the object on a workbench that is half-waist high or any other appropriate place, adjust the positions of your palms, and then lift it.
- Move a heavy object stably with balanced force at an even and low speed. Put down the object stably and slowly to prevent any collision or drop from scratching the surface of the equipment or damaging the components and cables.
- When moving a heavy object, be aware of the workbench, slope, staircase, and slippery places. When moving a heavy object through a door, ensure that the door is wide enough to move the object and avoid bumping or injury.
- When transferring a heavy object, move your feet instead of turning your waist around. When lifting and transferring a heavy object, ensure that your feet point to the target direction of movement.
- When transporting the equipment using a pallet truck or forklift, ensure that the tynes are properly positioned so that the equipment does not topple. Before moving the equipment, secure it to the pallet truck or forklift using ropes. When moving the equipment, assign dedicated personnel to take care of it.
- Choose sea, roads in good conditions, or airplanes for transportation. Do not transport the equipment by railway. Avoid tilt or jolt during transportation.

## Using Ladders

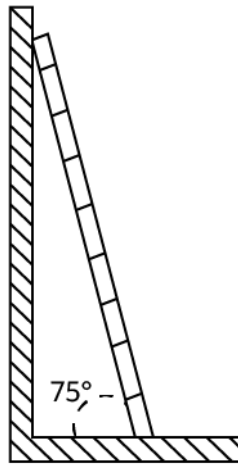
- Use wooden or insulated ladders when you need to perform live-line working at heights.
- Platform ladders with protective rails are preferred. Single ladders are not recommended.
- Before using a ladder, check that it is intact and confirm its load bearing capacity. Do not overload it.
- Ensure that the ladder is securely positioned and held firm.



CZ00000107

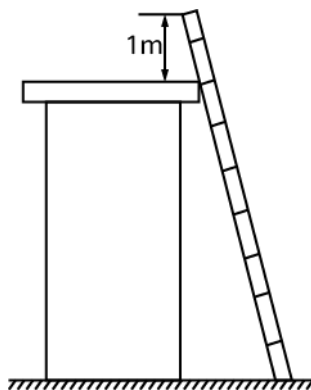
- When climbing up the ladder, keep your body stable and your center of gravity between the side rails, and do not overreach to the sides.

- When a step ladder is used, ensure that the pull ropes are secured.
- If a single ladder is used, the recommended angle for the ladder against the floor is 75 degrees, as shown in the following figure. A square can be used to measure the angle.



PI02SC0008

- If a single ladder is used, ensure that the wider end of the ladder is at the bottom, and take protective measures to prevent the ladder from sliding.
- If a single ladder is used, do not climb higher than the fourth rung of the ladder from the top.
- If you use a single ladder to climb up to a platform, ensure that the ladder is at least 1 m higher than the platform.

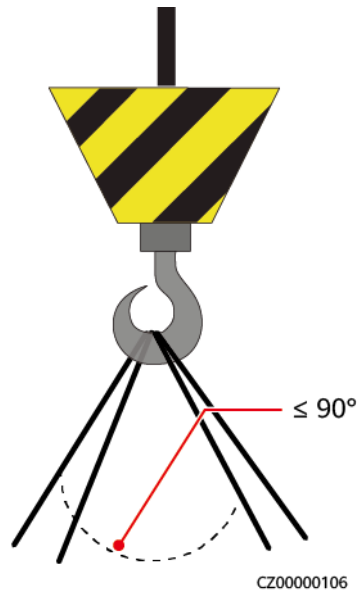


PI02SC0009

## Hoisting

- Only trained and qualified personnel are allowed to perform hoisting operations.
- Install temporary warning signs or fences to isolate the hoisting area.
- Ensure that the foundation where hoisting is performed on meets the load-bearing requirements.
- Before hoisting objects, ensure that hoisting tools are firmly secured onto a fixed object or wall that meets the load-bearing requirements.
- During hoisting, do not stand or walk under the crane or the hoisted objects.
- Do not drag steel ropes and hoisting tools or bump the hoisted objects against hard objects during hoisting.

- Ensure that the angle between two hoisting ropes is no more than 90 degrees, as shown in the following figure.



## Drilling Holes

- Obtain consent from the customer and contractor before drilling holes.
- Wear protective equipment such as safety goggles and protective gloves when drilling holes.
- To avoid short circuits or other risks, do not drill holes into buried pipes or cables.
- When drilling holes, protect the equipment from shavings. After drilling, clean up any shavings.

# 2 Overview

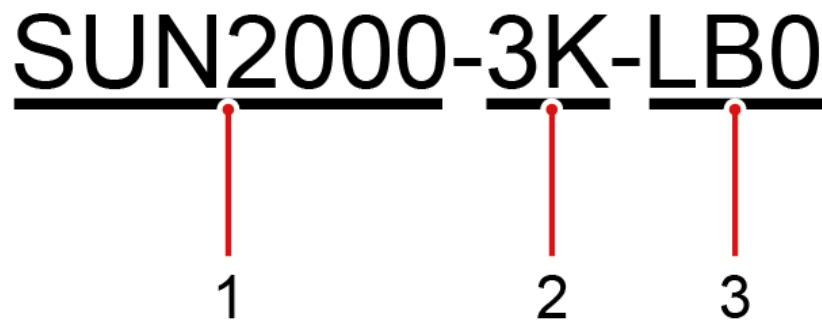
The inverter is a single-phase grid-tied string inverter that converts the DC power generated by PV strings into AC power and feeds the electricity into the power grid.

## 2.1 Model Number Description

This document involves the following product models:

- SUN2000-3K-LB0
- SUN2000-3.68K-LB0
- SUN2000-4K-LB0
- SUN2000-4.6K-LB0
- SUN2000-5K-LB0
- SUN2000-6K-LB0

Figure 2-1 Model number (using SUN2000-3K-LB0 as an example)



IH11W00002

Table 2-1 Model number description

No.	Item	Description
1	Series name	SUN2000: grid-tied solar inverter





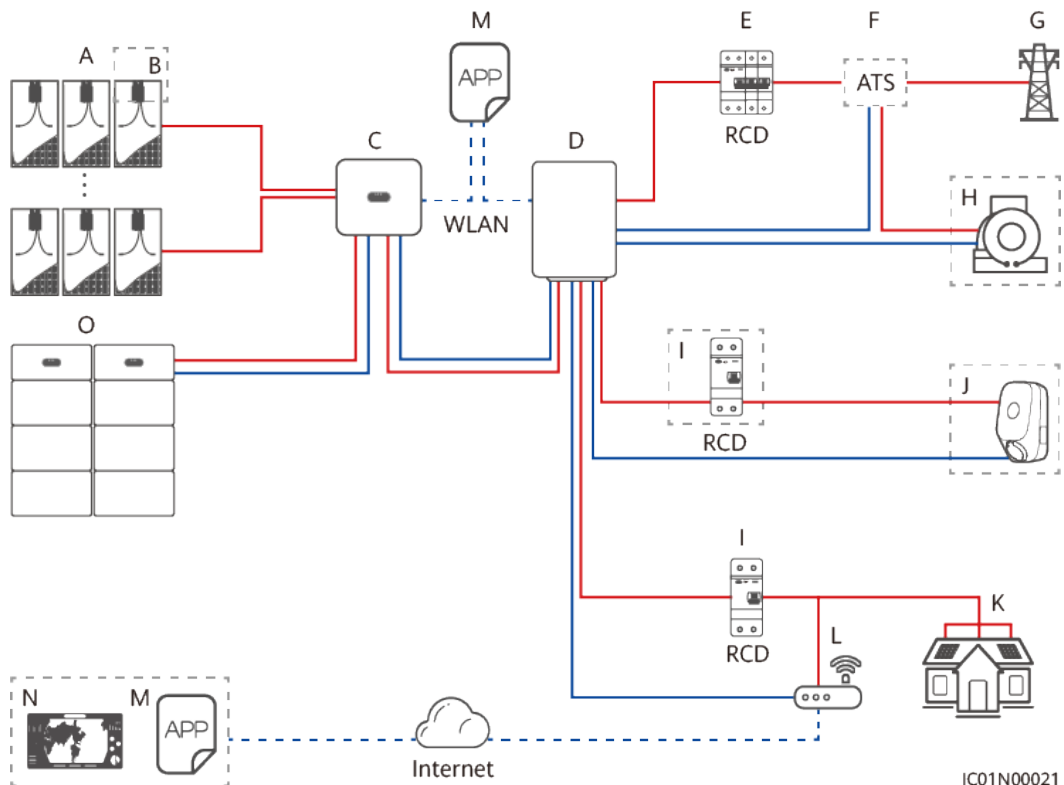
- |                                   |                          |                    |
|-----------------------------------|--------------------------|--------------------|
| (A) PV strings                    | (B) Master inverter      | (C) AC switches    |
| (D) AC PDU                        | (E) Power meter          | (F) Power grid     |
| (G) 4G Smart Dongle               | (H) WLAN-FE Smart Dongle | (I) Router         |
| (J) Management System (SmartPVMS) | (K) App                  | (L) Load           |
| (M) Optimizer                     | (N) Battery              | (O) Slave inverter |

**NOTE**

- indicates a power cable, — indicates a signal cable, and - - - indicates wireless communication.
- In the inverter cascading scenario, only one power meter can be connected to the master inverter.
- In the inverter cascading scenario, cascading with the SUN2000-(2KTL-6KTL)-L1 or SUN2000-(8K,10K)-LC0 is supported, a maximum of three inverters can be cascaded, and each inverter can connect to a maximum of two ESSs.
- In the inverter cascading scenario, the inverters connected to the power grid must meet the local power grid requirements.
- For details about Smart Dongle networking, see [Residential Solution Mapping Relationship and Wiring Guide](#).

### Smart Guard Networking


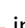

**Figure 2-4** Smart Guard networking (the components in dashed boxes are optional)



IC01N00021

(A) PV string	(B) Smart PV Optimizer	(C) Inverter
(D) Smart Guard	(E) Main circuit breaker (RCD)	(F) ATS
(G) Power grid	(H) Generator	(I) Residual current device (RCD)
(J) Non-backup load	(K) Backup load	(L) Router
(M) App	(N) Management system	(O) Battery

 **NOTE**

-  indicates a power cable,  indicates a signal cable, and  indicates wireless communication.
- For details about Smart Guard networking, see [Residential Solution Mapping Relationship and Wiring Guide](#).

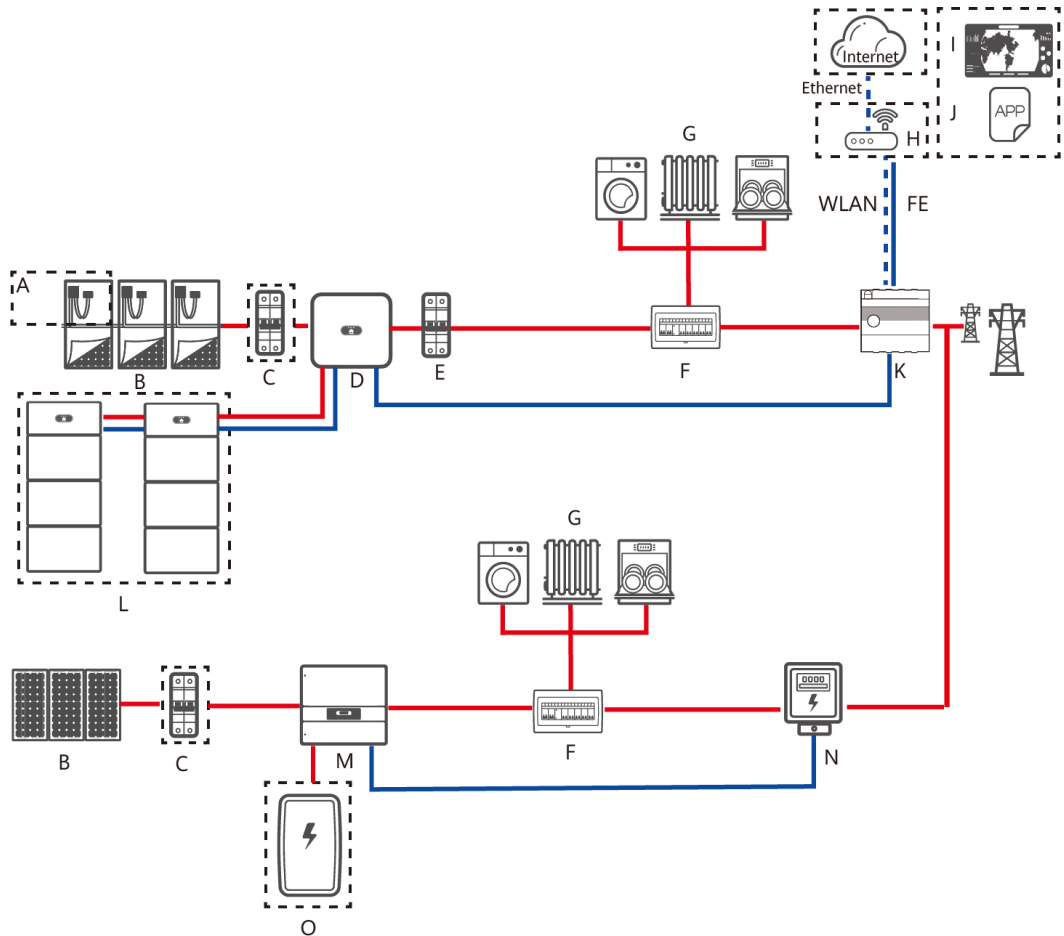
 **NOTE**

Inverters cannot be cascaded in the Smart Guard networking.

## Compatibility with Third-Party Systems

Huawei inverters are compatible with third-party inverters or third-party energy storage systems (ESSs).

**Figure 2-5** Networking with third-party systems

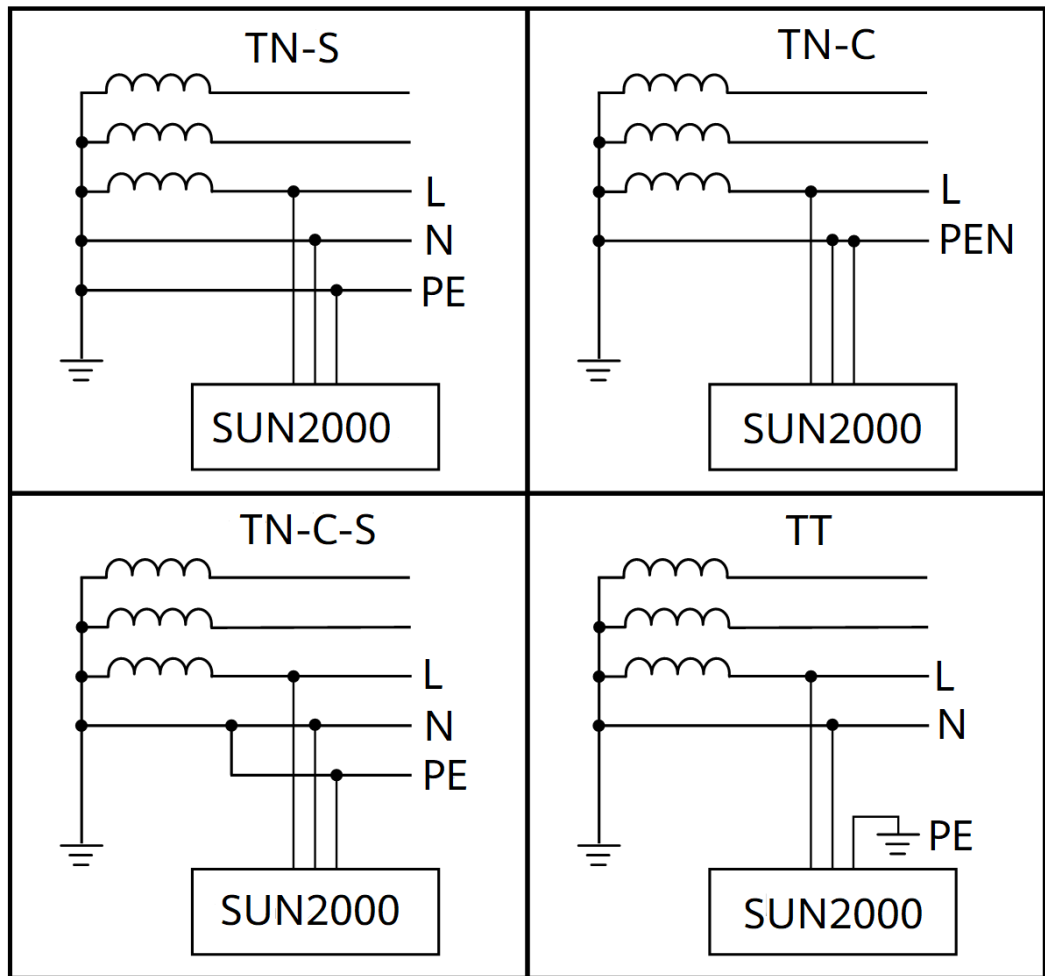


- |   |                    |                                      |
|---|--------------------|--------------------------------------|
| (A) Optimizer                                 | (B) PV string      | (C) DC switch                        |
| (D) Huawei smart PV inverter                  | (E) AC switch      | (F) AC power distribution unit (PDU) |
| (G) Load                                      | (H) Router         | (I) Management System (SmartPVMS)    |
| (J) App                                       | (K) SmartAssistant | (L) LUNA2000                         |
| (M/O) Third-party inverter or third-party ESS | (N) Power meter    |                                      |

## Supported Earthing Systems

The inverter supports the TN-S, TN-C, TN-C-S, and TT earthing systems. In the TT power grid, the N-to-PE voltage must be less than 30 V.

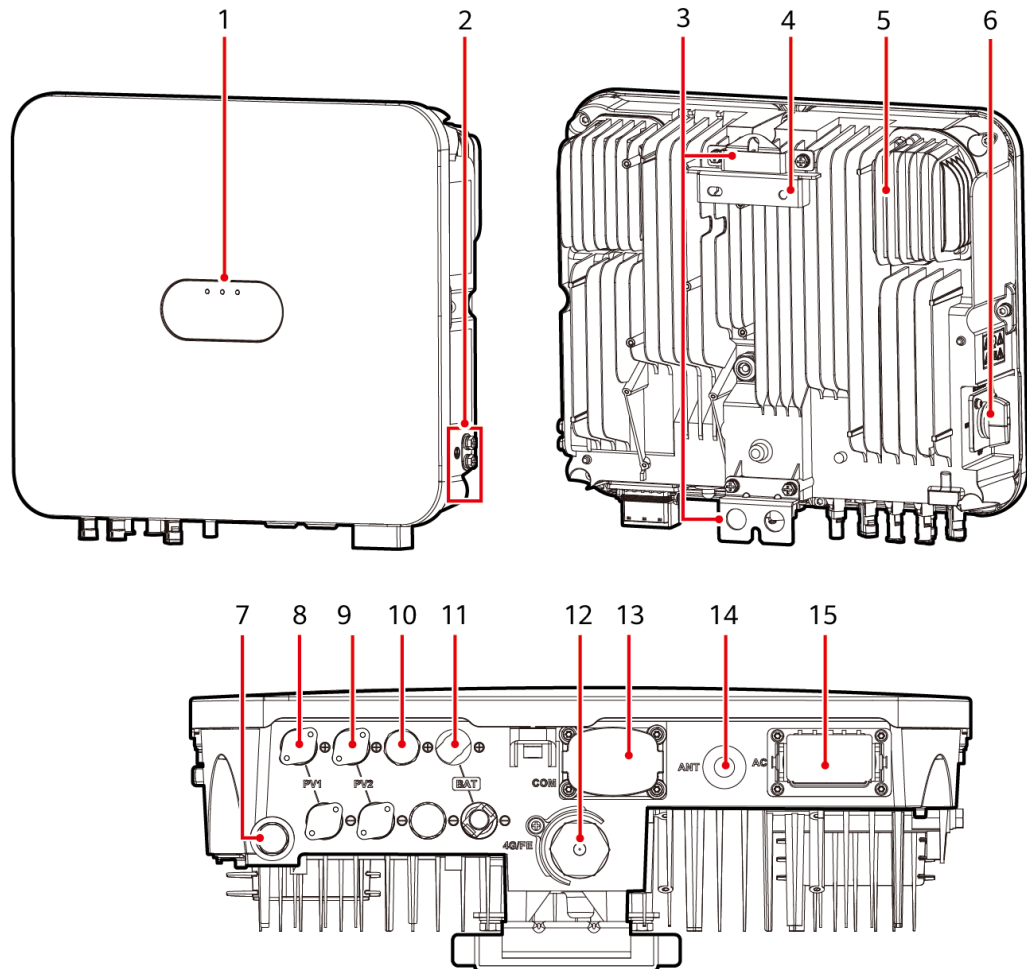
Figure 2-6 Earthing systems



## 2.3 Appearance

### Appearance and Ports

Figure 2-7 Appearance



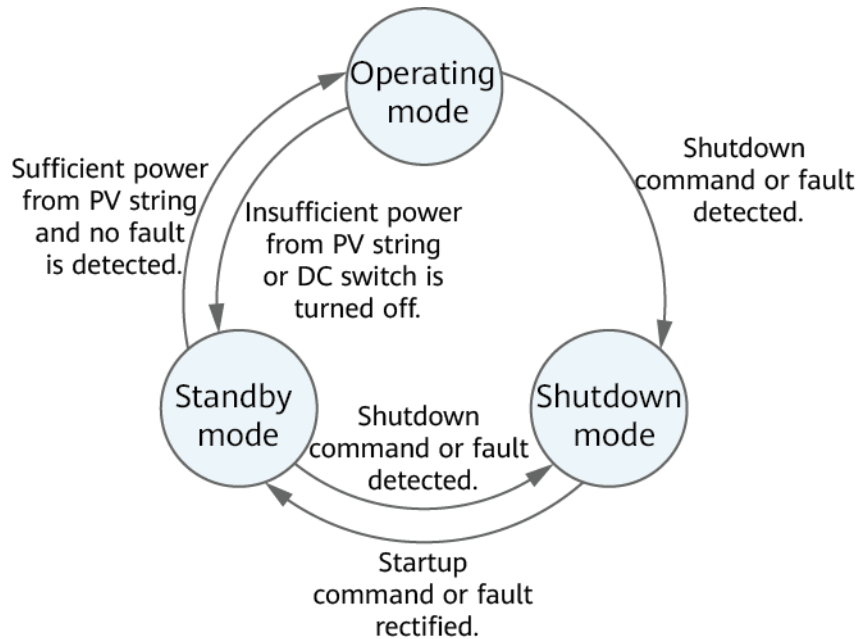
IH10W00001

- |                                   |                                   |
|-----------------------------------|-----------------------------------|
| (1) LED indicators                | (2) Ground screws                 |
| (3) Hanging kits                  | (4) Mounting bracket              |
| (5) Heat sink                     | (6) DC switch (DC SWITCH)         |
| (7) Ventilation valve             | (8) DC input terminal (PV1+/PV1-) |
| (9) DC input terminal (PV2+/PV2-) | (10) Reserved                     |
| (11) Battery terminal (BAT+/BAT-) | (12) Smart Dongle port (4G/FE)    |
| (13) Communications port (COM)    | (14) Antenna port (ANT)           |
| (15) AC output port (AC)          |                                   |

## 2.4 Working Modes

The inverter has three working modes: standby, operating, and shutdown.

**Figure 2-8** Working modes



IS07500001




**Table 2-2** Working mode description







Working Mode	Description
Standby	In standby mode: <ul style="list-style-type: none"> <li>The inverter continuously detects its operation status. Once the operation conditions are met, the inverter enters operating mode.</li> <li>If the inverter receives a shutdown command or detects a fault after startup, it enters shutdown mode.</li> </ul>
Operating	In operating mode: <ul style="list-style-type: none"> <li>The inverter converts DC power from PV strings into AC power and feeds the power to the power grid.</li> <li>The inverter tracks the maximum power point to maximize the PV string output power.</li> <li>If the inverter receives a shutdown command or detects a fault, it enters shutdown mode.</li> <li>If the inverter detects that the output power of PV strings does not meet the requirements for grid-tied power generation, it enters standby mode.</li> </ul>

Working Mode	Description
Shutdown	<ul style="list-style-type: none"> <li>In standby or operating mode, if the inverter receives a shutdown command or detects a fault, it enters shutdown mode.</li> <li>In shutdown mode, if the inverter detects that the fault is rectified or receives a startup command, it enters standby mode.</li> </ul>

## 2.5 Label Description

### Enclosure Labels

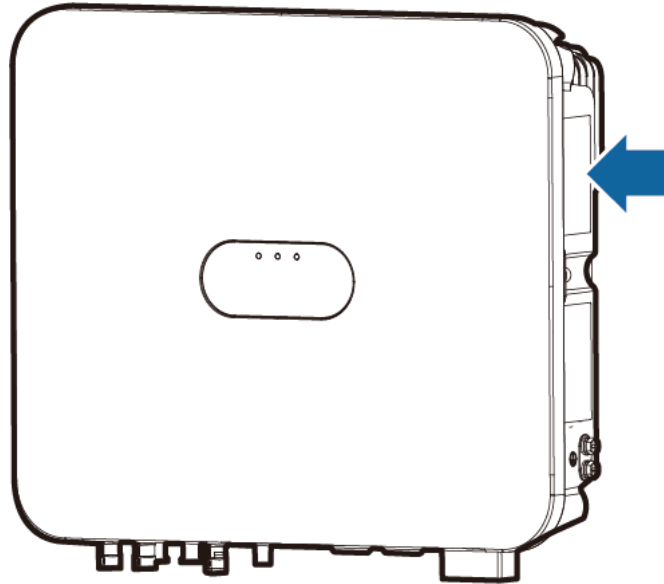
Label	Symbol	Name	Meaning
		Delayed discharge	Residual voltage exists after the inverter is powered off. It takes 5 minutes for the inverter to discharge to the safe voltage level before maintenance.
		Burn warning	Do not touch the inverter when it is running because its enclosure is hot.

Label	Symbol	Name	Meaning
		Electric shock warning	<ul style="list-style-type: none"> <li>High voltage exists after the inverter is powered on. Only qualified and trained electrical technicians are allowed to perform operations on the inverter.</li> <li>High touch current exists after the inverter is powered on. Before powering on the inverter, ensure that the inverter is properly grounded.</li> </ul>
		Refer to documentation	Reminds operators to refer to the documents delivered with the inverter.
		Operation warning	Do not remove the DC input connector or AC output connector when the inverter is running.
 (1P)PN/ITEM:XXXXXXXX Y (32P)Model:XXXXXXXX (S)SN:XXXXXXXXXXXXX MADE IN CHINA	-	Serial number (SN)	Indicates the product SN.
	-	QR code for inverter WiFi connection	Scan the QR code to connect to the Huawei inverter WiFi.
	-	QR code for technical support	Scan the QR code to obtain support.

## Product Nameplate

The nameplate contains the trademark, product model, important technical specifications, compliance symbols, company name, and place of origin.

**Figure 2-9** Nameplate



IH10W00001

# 3 Storage Requirements

---

The following requirements shall be met if inverters are not put into use immediately:

- Do not unpack inverters.
- Keep the storage temperature at  $-40^{\circ}\text{C}$  to  $+70^{\circ}\text{C}$  and the humidity at 5%–95% RH.
- Store inverters in a clean and dry place and protect them from dust and moisture.
- Inverters can be stacked in a maximum of eight layers. To avoid personal injury or device damage, stack inverters with caution to prevent them from falling over.
- During the storage period, check inverters periodically (recommended: once every three months). Replace the packing materials that are damaged by insects or rodents in a timely manner.
- If inverters have been stored for two years or longer, they must be checked and tested by professionals before being put into use.

# 4 Installation

## 4.1 Installation Modes

The inverter can be wall-mounted or support-mounted.

**Table 4-1** Installation modes

Installation Mode	Screw Specifications	Description
Wall mounting	M6x60 stainless steel expansion bolt	Delivered with the product
Support mounting	M6 bolt assembly	Prepared by the customer

## 4.2 Installation Requirements

### 4.2.1 Site Selection Requirements

#### Basic Requirements

- The inverter is protected to IP66 and can be installed indoors or outdoors.
- Do not install the inverter in a place where personnel are easy to come into contact with its enclosure and heat sink, because these parts are hot during operation.
- Do not install the inverter in noise-sensitive areas.
- Do not install the inverter near flammable or explosive materials.
- Keep the inverter out of reach of children.
- The inverter will be corroded in salt areas, and the salt corrosion may cause fire. Do not install the inverter outdoors in salt areas. A salt-affected area

refers to the region within 500 m of the coast or prone to sea breeze. Regions prone to sea breeze vary with weather conditions (such as typhoons and monsoons) or terrains (such as dams and hills).

- Install the inverter in a well-ventilated environment to ensure good heat dissipation.
- You are advised to install the inverter in a sheltered area or install an awning over it.

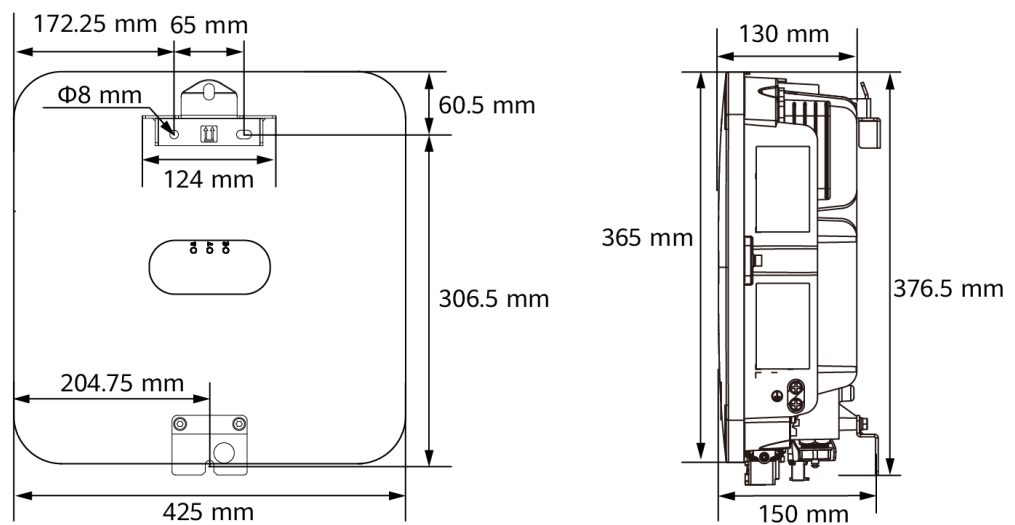
## Mounting Structure Requirements

- The mounting structure where the inverter is installed must be fire resistant.
- Do not install the inverter on flammable building materials.
- The inverter is heavy. Ensure that the installation surface is solid enough to bear the weight.
- In residential areas, do not install the inverter on a drywall or wall made of similar materials which have a weak sound insulation performance because the inverter generates noise during operation.

## 4.2.2 Clearance Requirements

Figure 4-1 shows the dimensions of mounting holes for the inverter.

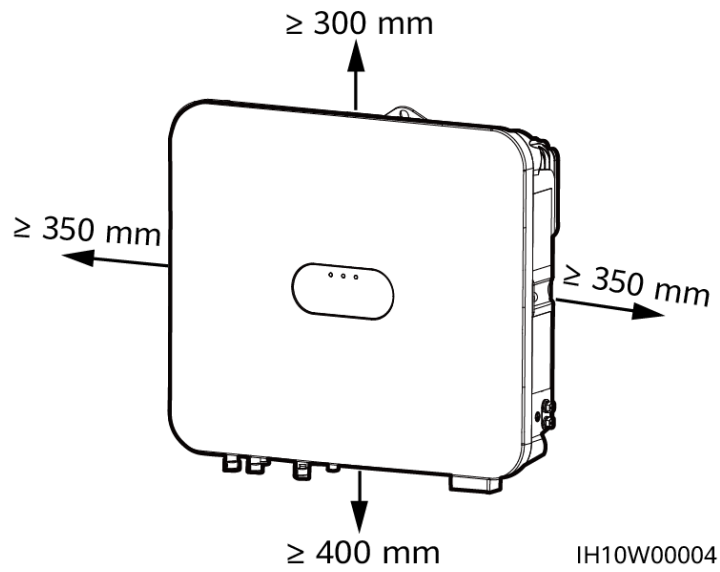
Figure 4-1 Mounting bracket dimensions



IH10W00003

- Reserve enough clearances around the inverter to ensure sufficient space for installation and heat dissipation.

Figure 4-2 Clearances



- When installing multiple inverters, install them in horizontal mode if sufficient space is available and install them in triangle mode if no sufficient space is available. Stacked installation is not recommended.

Figure 4-3 Horizontal installation mode (recommended)

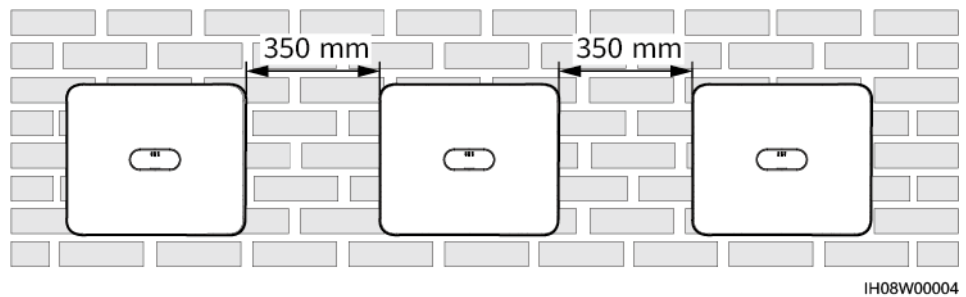
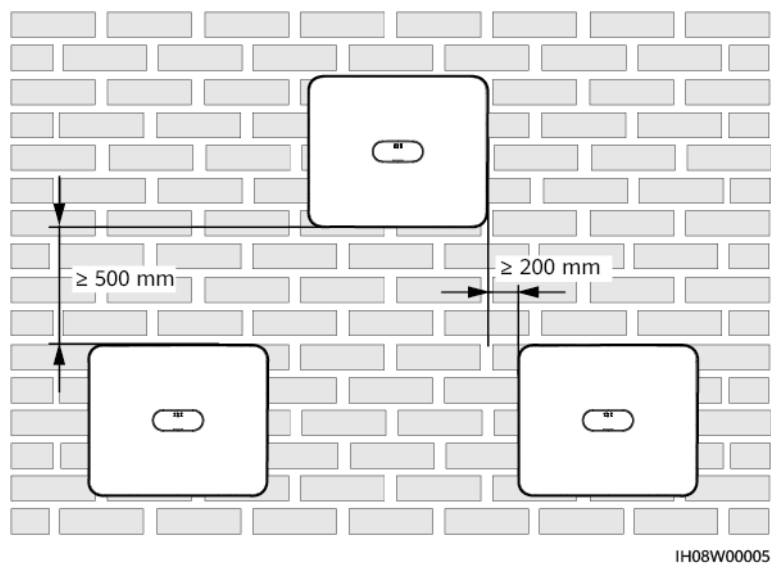


Figure 4-4 Triangle installation mode (recommended)

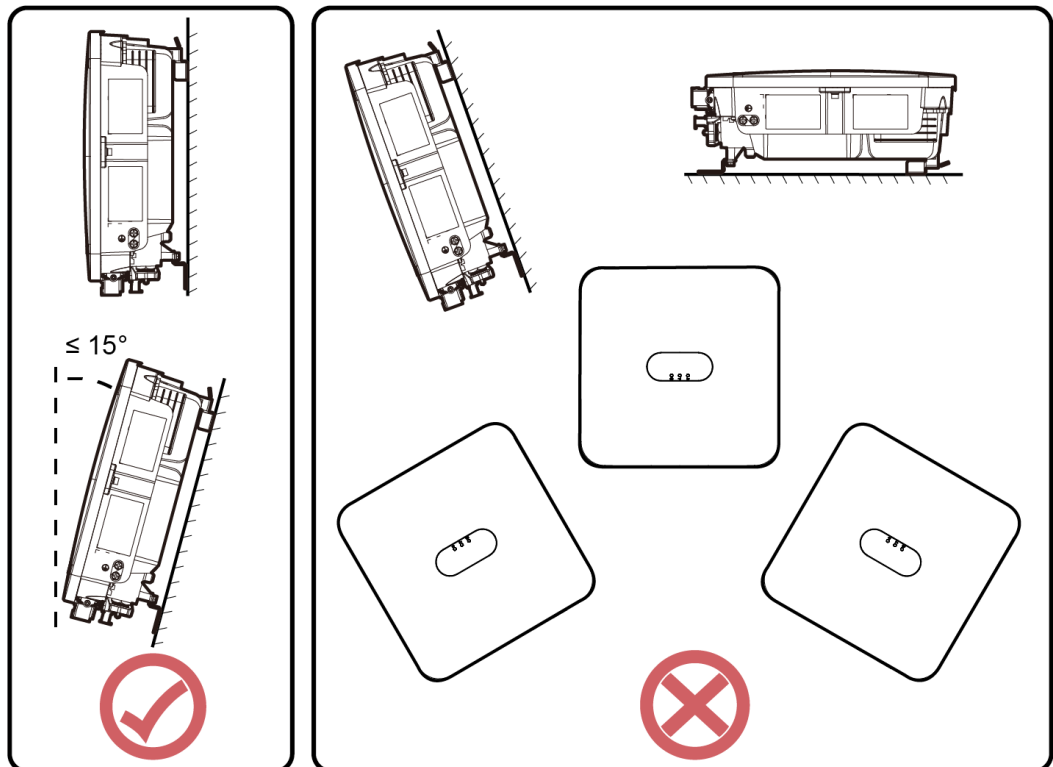


### 4.2.3 Angle Requirements

The inverter can be wall-mounted or support-mounted. The installation angle requirements are as follows:

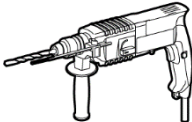






- Install the inverter vertically or at a maximum back tilt of 15 degrees to facilitate heat dissipation.
- Do not install the inverter at forward tilted, excessive backward tilted, side tilted, horizontal, or upside down positions.


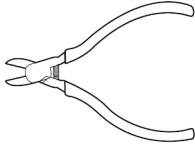
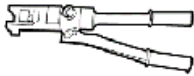
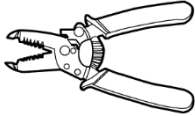

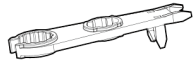



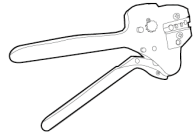


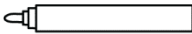
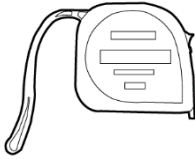


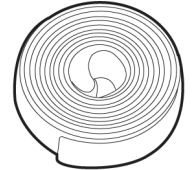
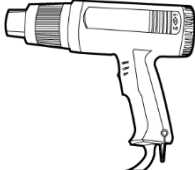
Figure 4-5 Installation angle








IH10W00005

### 4.3 Tools

Type	Tool			
Installation tools	 Hammer drill Drill bit: $\Phi 8$ mm, $\Phi 6$ mm	  Flat-head insulated torque screwdriver	  Phillips insulated torque screwdriver	  Hex insulated torque screwdriver

Type	Tool			
	 Insulated torque socket wrench	 Diagonal pliers	 Hydraulic pliers	 Wire stripper
	 Cable tie	 Removal wrench Model: H4TW0001	 Rubber mallet	 Utility knife
	 Cable cutter	 Crimping tool Model: H4TC0003	 Multimeter DC voltage measurement range $\geq 1100$ V DC	 Vacuum cleaner
	 Marker	 Steel measuring tape	 Digital or bubble level	 Cord end terminal crimping tool
	 Heat shrink tubing	 Heat gun	-	-

Type	Tool			
Personal protective equipment (PPE)	 Insulated gloves	 Protective gloves	 Dust mask	 Safety shoes
	 Safety goggles	-	-	-

## 4.4 Checking Before Installation

### Outer Packing Materials

Before unpacking the inverter, check the outer packing materials for damage, such as holes and cracks, and check the inverter model. If any damage is found or the inverter model is not what you requested, do not unpack the package and contact your supplier as soon as possible.

 **NOTE**

You are advised to remove the packing materials within 24 hours before installing the inverter.

### Package Contents

**NOTICE**

- After placing the equipment in the installation position, unpack it with care to prevent scratches. Keep the equipment stable during unpacking.

After unpacking the inverter, check that the contents are intact and complete. If any damage is found or any component is missing, contact your supplier.

 **NOTE**

For details about the number of contents, see the *Packing List* in the packing case.

## 4.5 Moving the Inverter

### Procedure

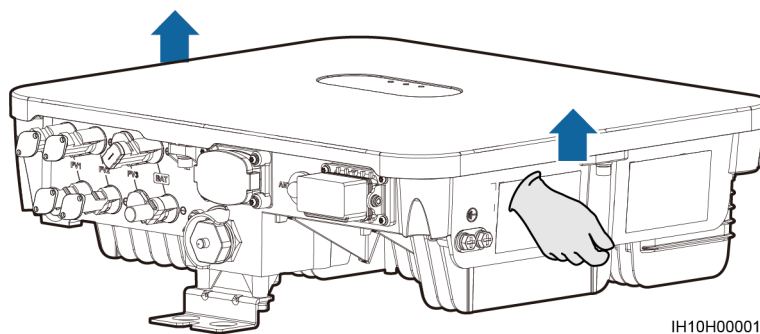
- Step 1** Hold the handles on both sides of the inverter, lift the inverter from the packing case, and transport it to the installation position.

---

**CAUTION**

- Move the inverter with care to prevent device damage and personal injury.
  - Do not use the wiring terminals and ports at the bottom to support any weight of the inverter.
  - When you need to temporarily place the inverter on the ground, use foam, cardboard, or other protection material to prevent damage to its enclosure.
- 

**Figure 4-6** Moving the inverter



----End

## 4.6 Installing the Inverter on a Wall

### Procedure

- Step 1** Determine the positions for drilling holes using the marking-off template, level the holes using a level, and mark the positions using a marker.
- Step 2** Secure the mounting bracket.

---

**DANGER**

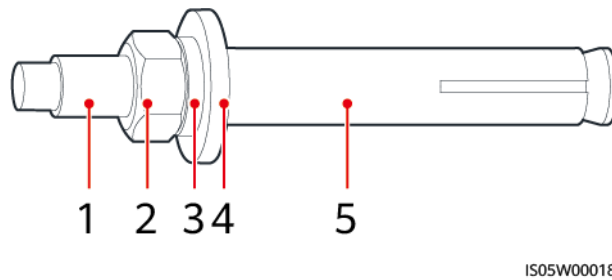
Avoid drilling holes into the water pipes or power cables buried in the wall.

---

**NOTE**

- M6x60 expansion bolts are delivered with the inverter. If the length and amount of the bolts do not meet installation requirements, prepare M6 stainless steel expansion bolts by yourself.
- The expansion bolts delivered with the inverter are mainly used for solid brick-concrete walls. For other types of walls, prepare bolts by yourself and ensure that the wall meets the load bearing requirements of the inverter.

**Figure 4-7** Expansion bolt composition



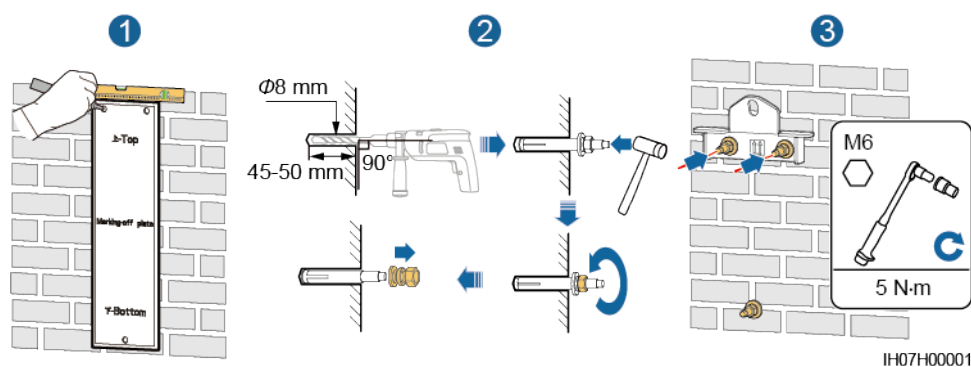
IS05W00018

- |                 |                      |                   |
|-----------------|----------------------|-------------------|
| (1) Bolt        | (2) Nut              | (3) Spring washer |
| (4) Flat washer | (5) Expansion sleeve |                   |

**NOTICE**

- To prevent dust inhalation or contact with eyes, wear safety goggles and a dust mask when drilling holes.
- Use a vacuum cleaner to clean up dust in and around the holes, and measure the spacing. If the holes are inaccurately positioned, drill the holes again.
- Level the top of the expansion sleeve with the concrete wall after removing the nut, spring washer, and flat washer. Otherwise, the mounting bracket will not be securely installed on the concrete wall.
- Loosen the nut, spring washer, and flat washer of the expansion bolt at the bottom.

**Figure 4-8** Installing expansion bolts

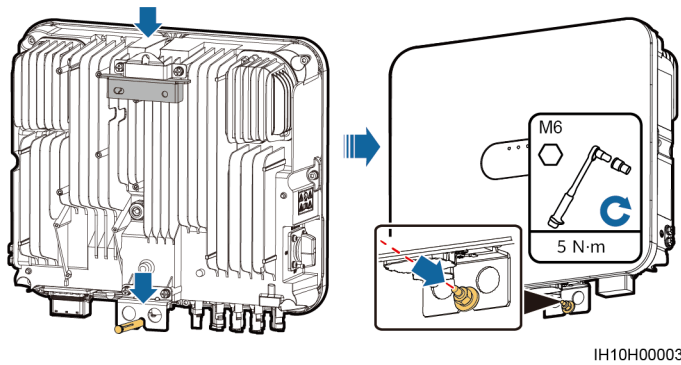


IH07H00001

**Step 3** Install the inverter on the mounting bracket.

**Step 4** Tighten the nuts.

**Figure 4-9** Tightening nuts



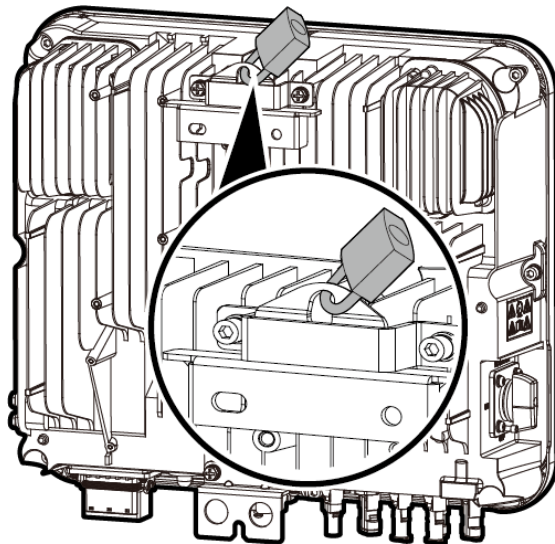
**Step 5** (Optional) Install an anti-theft lock.

---

**NOTICE**

- Prepare an anti-theft lock suitable for the lock hole diameter ( $\Phi 10$  mm).
  - An outdoor waterproof lock is recommended.
  - Keep the key to the anti-theft lock.
- 

**Figure 4-10** Installing an anti-theft lock



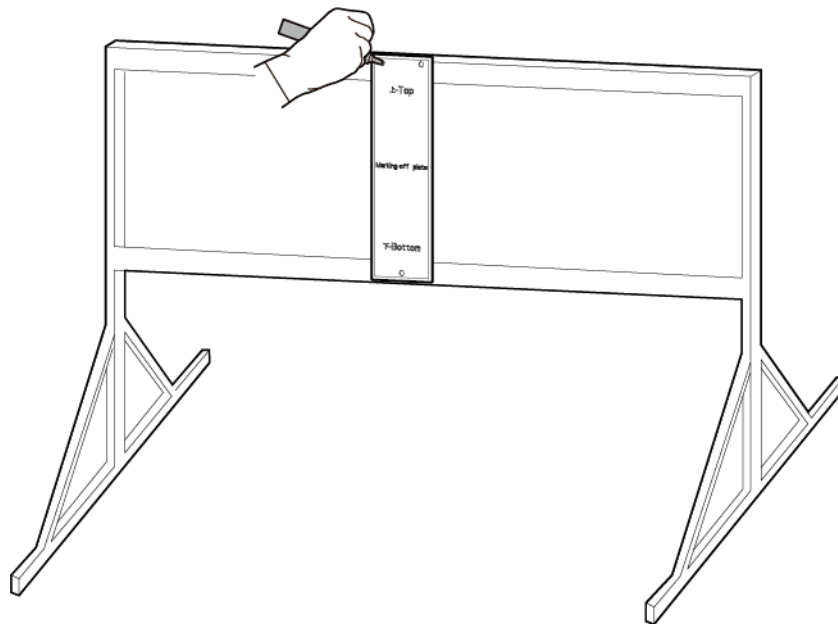
IH10H00005

----End

## 4.7 Installing the Inverter on a Support

- Step 1** Determine the positions for drilling holes using the marking-off template, and then mark the positions with a marker.

**Figure 4-11** Determining hole positions



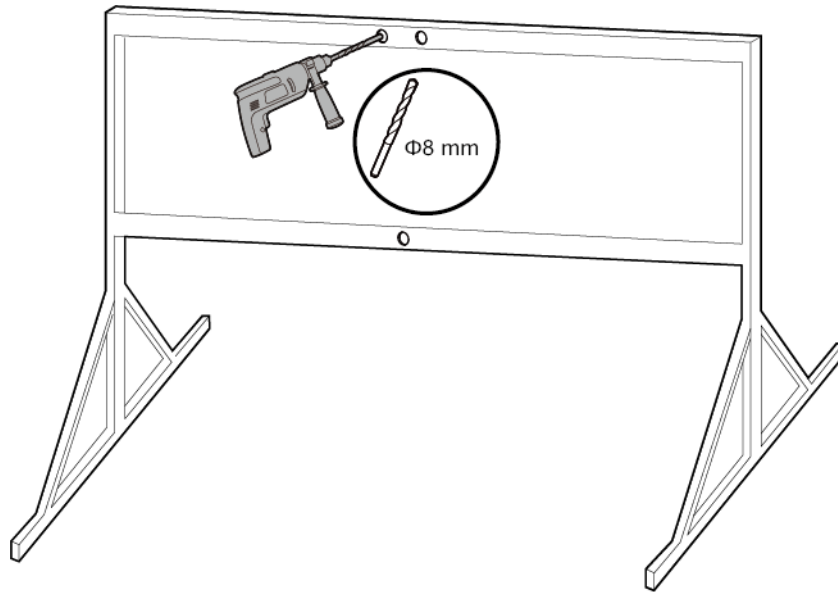
IH07H00011

- Step 2** Drill holes using a hammer drill.

**NOTE**

You are advised to apply anti-rust paint on the hole positions for protection.

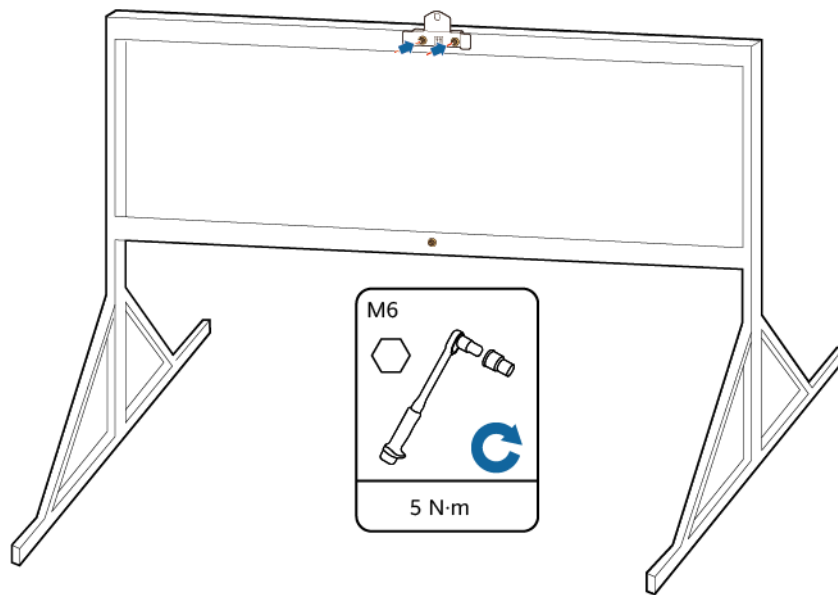
**Figure 4-12** Drilling holes



IH07H00012

**Step 3** Secure the mounting bracket.

**Figure 4-13** Securing the mounting bracket



IH07H00013

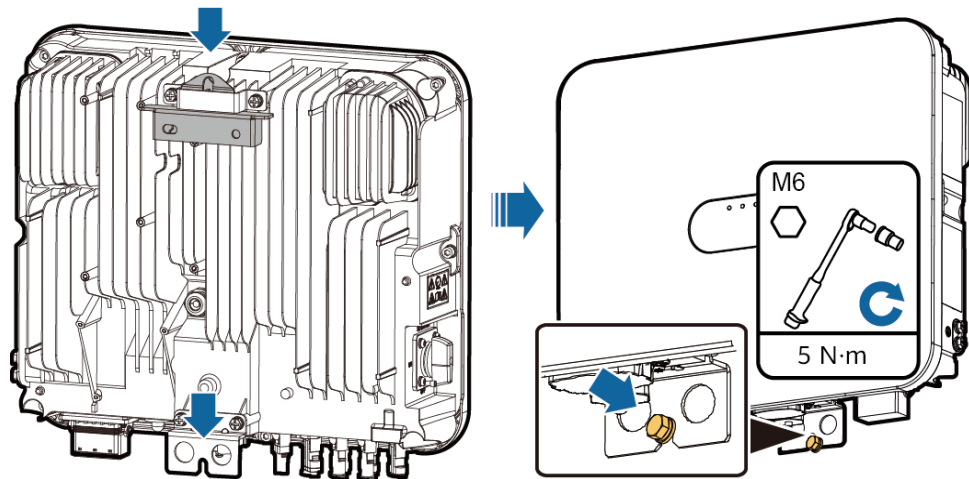
**NOTE**

Prepare bolt assemblies based on the hole diameter of the mounting bracket.

**Step 4** Install the inverter on the mounting bracket.

**Step 5** Tighten the bolt assemblies.

**Figure 4-14** Tightening the bolt assemblies



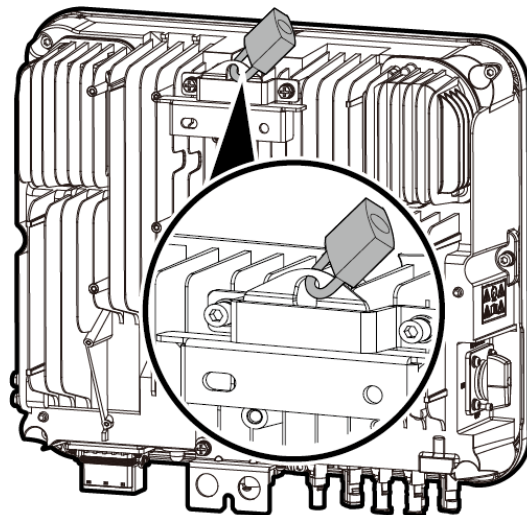
IH10H00004

**Step 6** (Optional) Install an anti-theft lock.

**NOTICE**

- Prepare an anti-theft lock suitable for the lock hole diameter ( $\Phi 10$  mm).
- An outdoor waterproof lock is recommended.
- Keep the key to the anti-theft lock.

**Figure 4-15** Installing an anti-theft lock



IH10H00005

----End

# 5 Electrical Connections

---

## 5.1 Precautions

---

 **DANGER**

When exposed to sunlight, the PV arrays supply DC voltage to the inverter. Before connecting cables, ensure that all **DC SWITCH** on the inverter are OFF. Otherwise, the high voltage of the inverter may result in electric shocks.

---

---

 **DANGER**

- The site must be equipped with qualified fire fighting facilities, such as fire sand and carbon dioxide fire extinguishers.
  - Wear personal protective equipment and use dedicated insulated tools to avoid electric shocks or short circuits.
- 

---

 **WARNING**

- The equipment damage caused by incorrect cable connections is beyond the warranty scope.
  - Only certified electrician can perform electrical terminations.
  - Operation personnel must wear PPE when connecting cables.
  - Before connecting cables to ports, leave enough slack to reduce the tension on the cables and prevent poor cable connections.
-

**CAUTION**

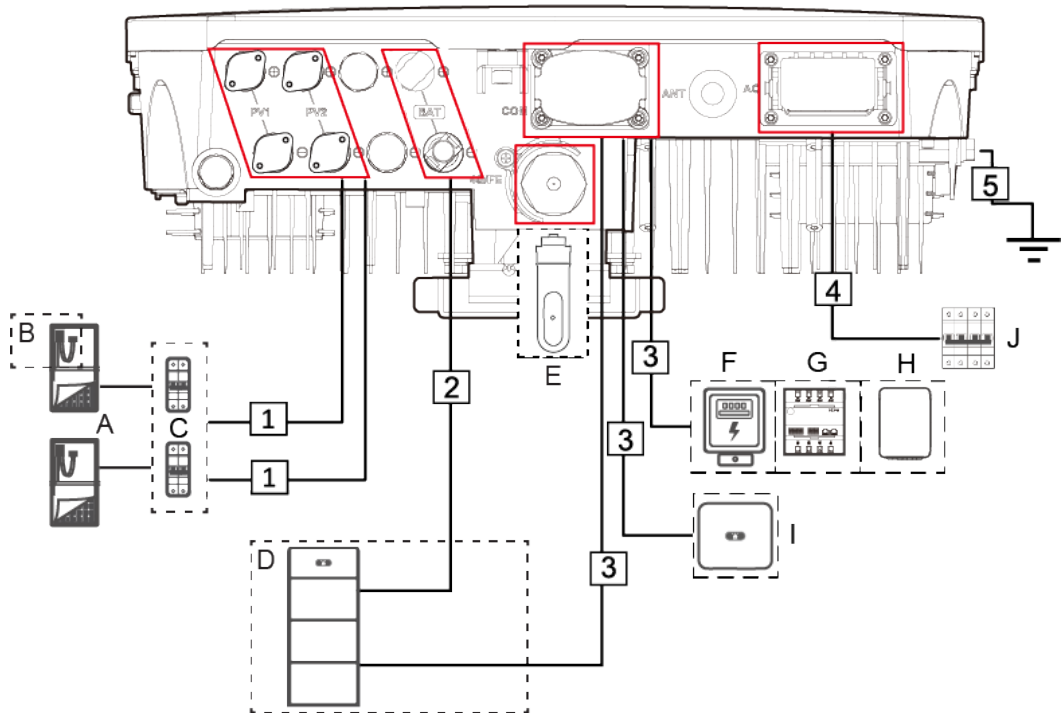
- Stay away from the equipment when preparing cables to prevent cable scraps from entering the equipment. Cable scraps may cause sparks and result in personal injury and equipment damage.

**NOTE**

The cable colors shown in the electrical connection diagrams provided in this section are for reference only. Select cables in accordance with local cable specifications (green-and-yellow cables are only used for protective earthing).

## 5.2 Preparing Cables

**Figure 5-1** Inverter cable connections (the components in dashed boxes are optional)



IH10N10005

**Table 5-1** Component description

No.	Component	Description	Source
A	PV module	<ul style="list-style-type: none"> <li>A PV string consists of PV modules connected in series.</li> <li>The inverter supports two PV string inputs.</li> </ul>	Prepared by the customer
B	Optimizer <sup>[2]</sup>	Supported models: SUN2000-(600W-P, 450W-P2) and SUN2000-600W-PA0 <sup>[1]</sup> .	Purchased from Huawei

No.	Component	Description	Source
C	DC switch	Recommended: a DC circuit breaker with a rated voltage greater than or equal to 600 V DC and a rated current of 20 A	Prepared by the customer
D	Battery	The inverter can connect to the LUNA2000.	Purchased from Huawei
E	Smart Dongle <sup>[3]</sup>	Supported models: <ul style="list-style-type: none"> <li>• WLAN-FE Smart Dongle: SDongleA-05</li> <li>• 4G Smart Dongle: SDongleB-06</li> </ul>	Purchased from Huawei
F	Power meter <sup>[4]</sup>	Recommended models: DDSU666-H, YDS70-C16, DDSU71, DDSU1079-CT, DTSU666-H, DTSU71, and DHSU1079-CT <sup>[5]</sup>	Purchased from Huawei
G	SmartAssistant	An energy management device used in a residential PV system.	Purchased from Huawei
H	Smart Guard <sup>[7]</sup>	The Smart Guard can be used to switch the inverter between on-grid and off-grid states. The models are SmartGuard-63A-S0 and SmartGuard-63A-AUS0.	Purchased from Huawei
I	Inverter	A maximum of three inverters can be cascaded.	Purchased from Huawei

No.	Component	Description	Source
J	AC switch	<p>To ensure that the inverter can be safely disconnected from the power grid when an exception occurs, connect an AC switch to the AC side of the inverter. Select an appropriate AC switch in accordance with local industry standards and regulations. Huawei recommends the following switch specifications:</p> <p>a single-phase AC circuit breaker with a rated voltage greater than or equal to 250 V AC and a rated current of:</p> <ul style="list-style-type: none"> <li>● 3K: 25 A</li> <li>● 3.68K: 25 A</li> <li>● 4K: 32 A</li> <li>● 4.6K: 32 A</li> <li>● 5K: 32 A</li> <li>● 6K: 32 A</li> </ul>	Prepared by the customer
<p>Note [1]:</p> <ul style="list-style-type: none"> <li>● The SUN2000-(600W-P, 450W-P2) cannot be used together with the SUN2000-600W-PA0.</li> <li>● The SUN2000-600W-PA0 optimizers apply only to the scenarios where optimizers are configured for all PV modules connected to an inverter or MPPT.</li> </ul> <p>Note [2]: For details about how to operate a Smart PV Optimizer, see <a href="#">SUN2000-(600W-P, 450W-P2) Smart PV Optimizer Quick Guide</a> and <a href="#">SUN2000-600W-PA0 Quick Guide</a>.</p> <p>Note [3]: For details about how to operate a WLAN-FE Smart Dongle SDongleA-05, see <a href="#">SDongleA-05 Smart Dongle Quick Guide (WLAN-FE)</a>. For details about how to operate a 4G Smart Dongle SDongleB-06, see <a href="#">SDongleB-06 Smart Dongle Quick Guide (4G)</a>. You can obtain these documents at <a href="https://support.huawei.com/enterprise">https://support.huawei.com/enterprise</a> by searching for models.</p> <p>Note [4]: For details about how to operate a meter, see <a href="#">YDS70-C16 Smart Power Sensor Quick Guide</a>, <a href="#">DDSU666-H Smart Power Sensor Quick Guide</a>, <a href="#">DTSU666-H and DTSU666-H 250 A (50 mA) Smart Power Sensor Quick Guide</a>, <a href="#">DDSU71 Smart Power Sensor Quick Guide</a>, <a href="#">DDSU1079-CT Smart Power Sensor Quick Guide</a>, <a href="#">DTSU71 Smart Power Sensor Quick Guide</a>, and <a href="#">DHSU1079-CT Smart Power Sensor Quick Guide</a>.</p> <p>Note [5]: Retain the default baud rates for the power meters. If they are changed, the power meters may go offline, generate alarms, or affect the inverter output power.</p> <p>Note [6]: For details about how to operate the Smart Guard, see <a href="#">SmartGuard-63A-(S0, AUS0) Quick Guide</a>.</p>			

**Table 5-2** Cable description

No.	Cable	Type	Recommended Specifications	Source
1	DC input power cable	Common outdoor PV cable in the industry	<ul style="list-style-type: none"> <li>Conductor cross-sectional area: 4–6 mm<sup>2</sup></li> <li>Cable outer diameter: 5.5–9 mm</li> </ul>	Prepared by the customer
2	(Optional) Battery cable	Common outdoor PV cable in the industry	<ul style="list-style-type: none"> <li>Conductor cross-sectional area: 4–6 mm<sup>2</sup></li> <li>Cable outer diameter: 5.5–9 mm</li> </ul>	Prepared by the customer
3	(Optional) Signal cable	Outdoor shielded twisted pair cable	<ul style="list-style-type: none"> <li>Conductor cross-sectional area:                             <ul style="list-style-type: none"> <li>Crimping cables together: 0.2–0.35 mm<sup>2</sup></li> <li>Crimping cables separately: 0.2–1 mm<sup>2</sup></li> </ul> </li> <li>Cable outer diameter: 4–8 mm</li> </ul>	Prepared by the customer
4	AC output power cable <sup>a</sup>	Using the PE equipotential bonding point at the AC output port: three-core (L, N, and PE) outdoor copper cable	<ul style="list-style-type: none"> <li>Conductor cross-sectional area:                             <ul style="list-style-type: none"> <li>3K–4.6K: 4–6 mm<sup>2</sup></li> <li>5–6K: 6 mm<sup>2</sup></li> </ul> </li> <li>Cable outer diameter: 10–21 mm</li> </ul>	Prepared by the customer
5	PE cable	Single-core outdoor copper cable and M6 OT terminal	10 mm <sup>2</sup>	Prepared by the customer
Note a: The minimum cross-sectional area should be determined based on the rated value of the AC fuse.				

 NOTE

- The minimum cable cross-sectional area must meet local standards. Aluminum cables are prohibited.
- The factors to be considered in cable selection include the rated current, cable type, routing mode, ambient temperature, and maximum acceptable line loss.

## 5.3 Connecting a PE Cable

### Precautions

---

 DANGER

- Ensure that the PE cable is securely connected. Otherwise, electric shocks may occur.
- Do not connect the neutral wire to the enclosure as a PE cable. Otherwise, electric shocks may occur.

---

 NOTE

- The PE point at the AC output port is used only as a PE equipotential bonding point, and cannot substitute for the PE point on the enclosure.
- It is recommended that silicone grease or paint be applied around the ground terminal after the PE cable is connected.

### Additional Information

The inverter provides the grounding detection function. This function is used to check whether the inverter is properly grounded before the inverter starts, or check whether the ground cable is disconnected when the inverter is running. This function is only available under limited conditions. To ensure the safe operation of the inverter, properly ground the inverter according to the connection requirements of the PE cable. For some power grid types, if the output side of the inverter is connected to an isolation transformer, ensure that the inverter is properly grounded and then set **Grounding Exception Detection** to **Disable** so that the inverter can run properly.

- According to IEC 62109, to ensure the safe operation of the inverter in the case of PE cable damage or disconnection, properly connect the PE cable of the inverter and ensure that it meets at least one of the following requirements before the grounding detection function becomes invalid.
  - If the PE terminal of the AC connector is not connected, the PE cable on the enclosure must be a single-core outdoor copper cable with a cross-sectional area of at least 10 mm<sup>2</sup>.
  - Use cables with the same diameter as the AC output power cable and ground the PE terminal on the AC connector and the ground screws on the enclosure.
- In some countries and regions, the inverter must have additional ground cables. In this case, use cables with the same diameter as the AC output

power cable to ground the PE terminal of the AC connector and the ground screws of the enclosure, respectively.

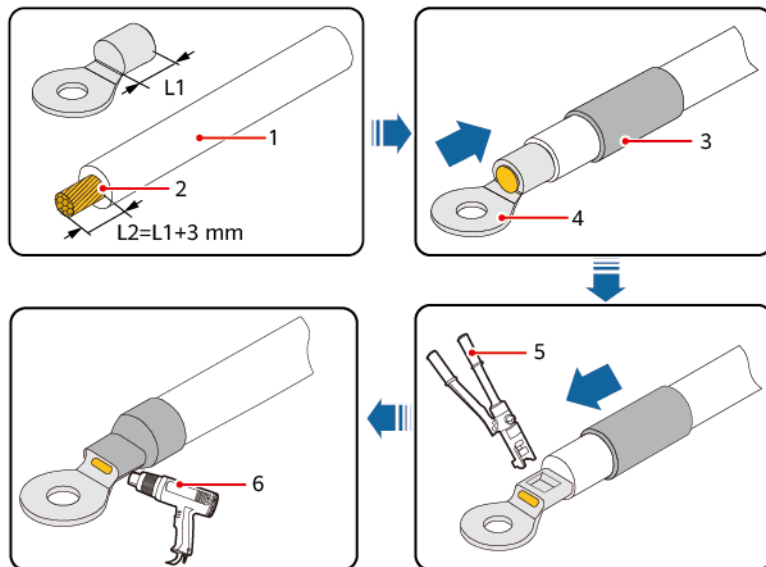
## Procedure

### Step 1 Crimp an OT terminal.

#### NOTICE

- Avoid scratching the core wire when stripping a cable.
- The cavity formed after the conductor crimp strip of the OT terminal is crimped must wrap the core wire completely. The core wire must make close contact with the OT terminal.
- Wrap the wire crimping area with heat shrink tubing or insulation tape. The heat shrink tubing is used as an example.
- Use a heat gun carefully to avoid heat damage to the equipment.

Figure 5-2 Crimping an OT terminal

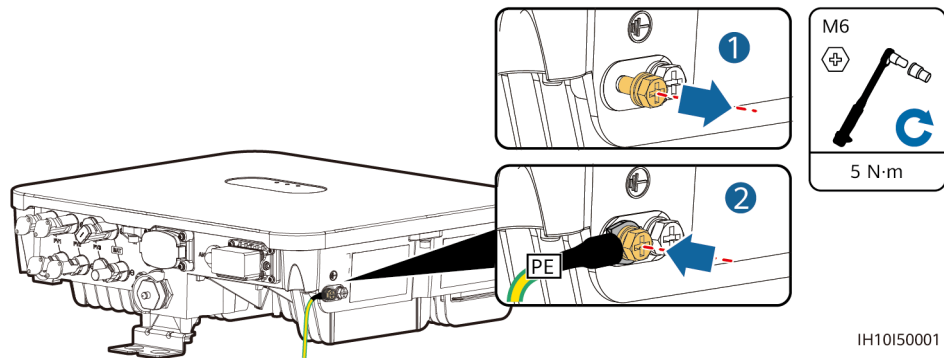


IS06Z00001

- |                 |                      |                        |
|-----------------|----------------------|------------------------|
| (1) Cable       | (2) Core wire        | (3) Heat shrink tubing |
| (4) OT terminal | (5) Hydraulic pliers | (6) Heat gun           |

### Step 2 Connect the PE cable.

Figure 5-3 Connecting the PE cable



----End

## 5.4 Connecting an AC Output Power Cable

### Precautions

An AC switch shall be installed on the AC side of the inverter. To ensure that the inverter can safely disconnect itself from the power grid when an exception occurs, select a proper overcurrent protection device in compliance with local power distribution regulations.

---

**WARNING**

- Do not connect loads between an inverter and an AC switch that directly connects to the inverter. Otherwise, the switch may trip by mistake.
- If an AC switch is used with specifications beyond local standards, regulations, or the Company's recommendations, the switch may fail to turn off in a timely manner in case of exceptions, causing serious faults.

---

**CAUTION**

Each inverter shall be equipped with an AC output switch. Multiple inverters shall not connect to the same AC switch.

---

The inverter is installed with an integrated monitoring unit for residual current. When the inverter detects that residual current exceeds the permitted value, it disconnects from the power grid quickly.

---

**NOTICE**

- If the external AC switch provides the leakage protection function, the rated leakage tripping current must be greater than or equal to 100 mA.
  - If multiple inverters are connected to the master leakage protection device through their AC switches, the rated leakage tripping current of the device must be greater than or equal to the number of inverters x 100 mA.
  - The AC switch cannot be a knife switch.
- 

## Procedure

**Step 1** Connect the AC output power cable to the AC connector.

---

**NOTICE**

- The PE point at the AC output port is used only as a PE equipotential bonding point, and cannot substitute for the PE point on the enclosure.
  - Keep the AC output power cable and the PE cable close to each other.
  - Keep the AC output power cable and the DC input power cables close to each other.
  - Ensure that the cable jacket is inside the connector.
  - Insert the exposed core wires completely into the conductor insertion points.
  - Connect the AC output power cable securely. Otherwise, the device may fail to operate properly or the AC connector may be damaged.
  - Ensure that the cables are not twisted.
- 

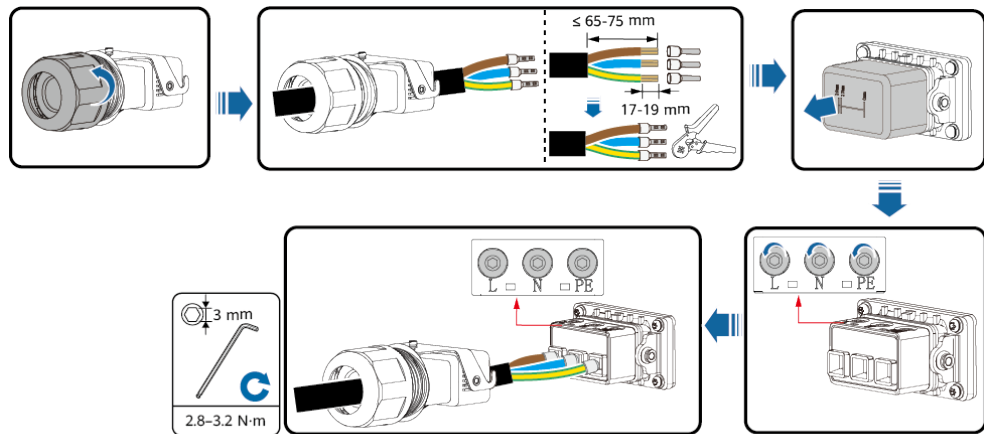
---

**NOTICE**

Strip the insulation layers of the AC output power cable by the recommended length (17–19 mm), crimp the conductors using the provided cord end terminals, ensure that the cord end terminals are completely inserted into the conductor insertion points, and secure the conductors to a torque of 2.8–3.2 N·m. Otherwise, the device may fail to run properly or be damaged during operation.

---

**Figure 5-4** Installing the AC power cable



IH09I20001

**NOTE**

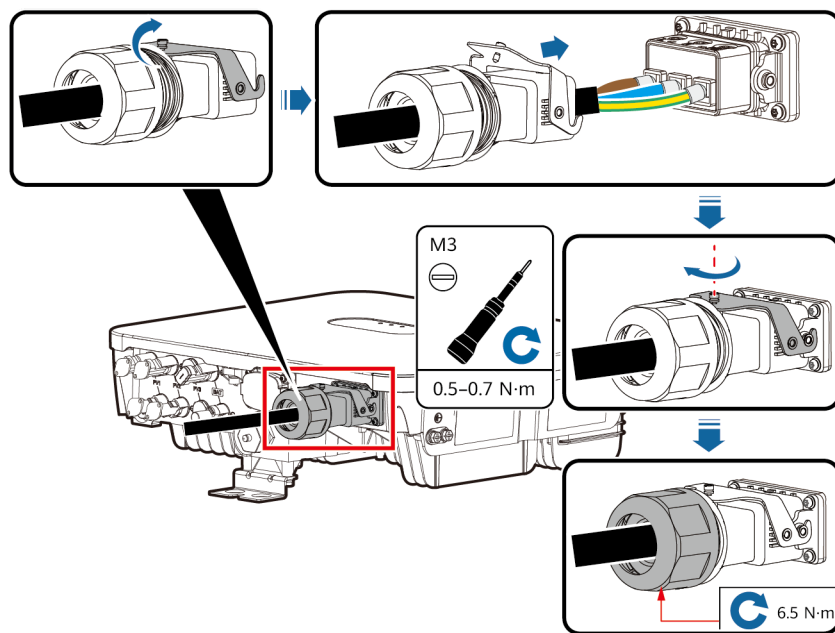
The cable colors shown in the figures are for reference only. Select an appropriate cable according to the local standards.

**Step 2** Connect the AC connector to the AC output port.

**NOTICE**

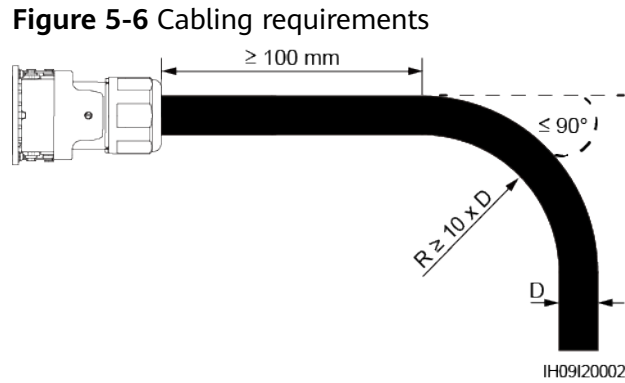
Ensure that the AC connector is connected securely.

**Figure 5-5** Securing the AC connector



IH10H00007

**Step 3** Check the route of the AC output power cable.



----End

## Disconnection

Perform the steps in reverse order to disconnect the cable.

## 5.5 Connecting DC Input Power Cables

### Precautions

---

**⚠ DANGER**

- Before connecting the DC input power cables, ensure that the DC voltage is within the safe range (lower than 60 V DC) and that the **DC SWITCH** on the inverter is **OFF**. Otherwise, the high voltage may result in electric shocks.
  - When the inverter is operating, do not perform maintenance or operations on the DC input power cables, such as connecting or disconnecting a PV string or a PV module in the PV string. Otherwise, electric shocks may occur.
  - If no PV string connects to a DC input terminal of the inverter, do not remove the waterproof cap from the DC input terminal. Otherwise, the protection level of the inverter will decrease.
-

**WARNING**

Ensure that the following conditions are met. Otherwise, the inverter may be damaged or even a fire may occur.

- The DC input voltage of the inverter must not exceed the maximum input voltage under any circumstance.
- The polarities of electrical connections must be correct on the DC input side. The positive and negative terminals of a PV string must be connected to corresponding positive and negative DC input terminals of the inverter.
- If a DC input power cable is reversely connected, do not immediately operate on the **DC SWITCH** or positive and negative connectors. Wait until the night when solar irradiance declines and the PV string current drops to below 0.5 A. Then set the **DC SWITCH** to **OFF**, remove the positive and negative connectors, and correct the polarities of the DC input power cable.

**WARNING**

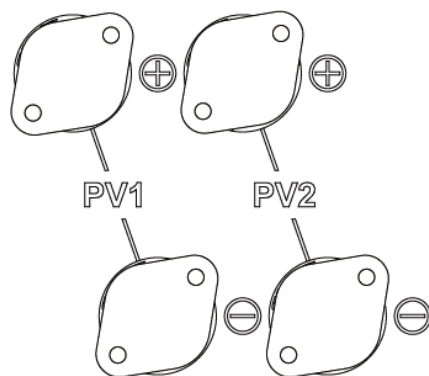
During the installation of PV strings and the inverter, the positive or negative terminals of PV strings may be short-circuited to the ground if the power cables are not properly installed or routed. In this case, an AC or DC short circuit may occur and damage the inverter. The resulting device damage is not covered under any warranty.

**NOTICE**

The output of the PV string connected to the inverter cannot be grounded. Ensure that the PV module output is well insulated to ground.

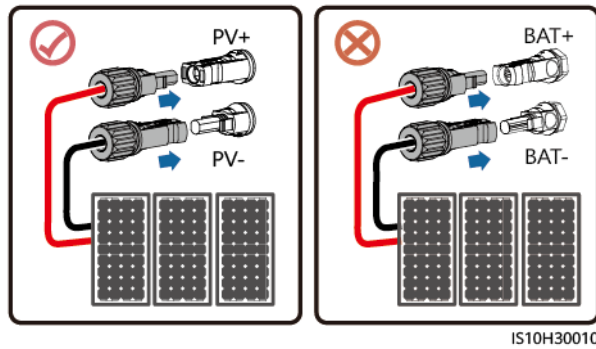
## Terminal Description

**Figure 5-7** DC input terminals



IH10W30001

Figure 5-8 Connection



## Procedure

### Step 1 Assemble DC connectors.

---

#### CAUTION

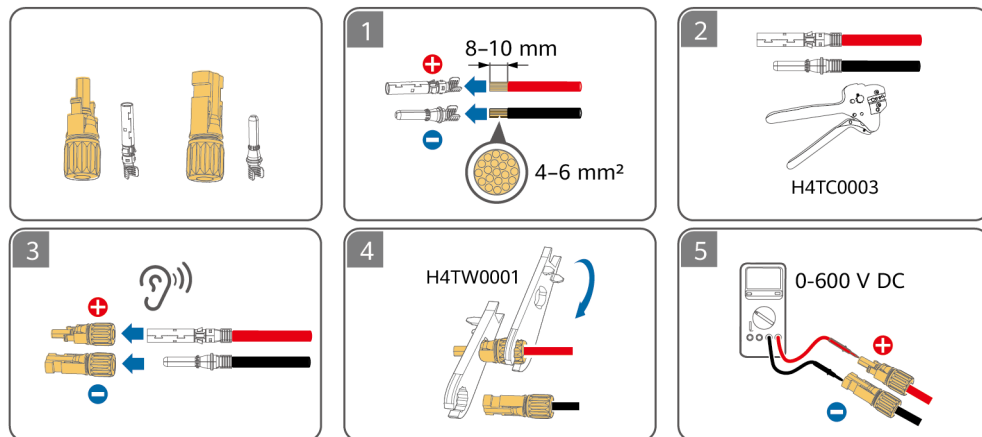
Use the positive and negative metal terminals and DC connectors delivered with the inverter. Using incompatible positive and negative metal terminals and DC connectors may result in serious consequences. The resulting device damage is not covered by the product warranty.

---

#### NOTICE

- Keep the DC input PV+ cable and PV- cable close to each other.
  - Cables with high rigidity, such as armored cables, are not recommended as DC input power cables, because poor contact may be caused by the bending of the cables.
  - Before assembling DC connectors, label the cable polarities correctly to ensure correct cable connections.
  - After crimping the positive and negative metal terminals, try to pull the DC input power cables back to check that they are secure.
  - Insert the crimped metal terminals of the positive and negative power cables into the appropriate positive and negative connectors. Try to pull the DC input power cables back to check that they are secure.
  - During DC input power cabling, leave at least 50 mm of slack. The axial tension on PV connectors must not exceed 80 N. Radial stress or torque must not be generated on PV connectors.
-

Figure 5-9 Assembling DC connectors



**NOTE**

- If the PV string is not configured with optimizers, use a multimeter to measure the DC voltage. The multimeter must have a DC voltage range of at least 600 V. If the voltage is a negative value, the DC input polarity is incorrect. Rectify the connection. If the voltage is greater than 600 V, too many PV modules are configured to the same string. Remove some PV modules.
- If PV strings are configured with optimizers, check the cable polarities by referring to the *Smart PV Optimizer Quick Guide*.

**WARNING**

Before performing **Step 2**, ensure that the **DC SWITCH** is set to **OFF**.

**Step 2** Insert the positive and negative connectors into corresponding DC input terminals on the inverter.

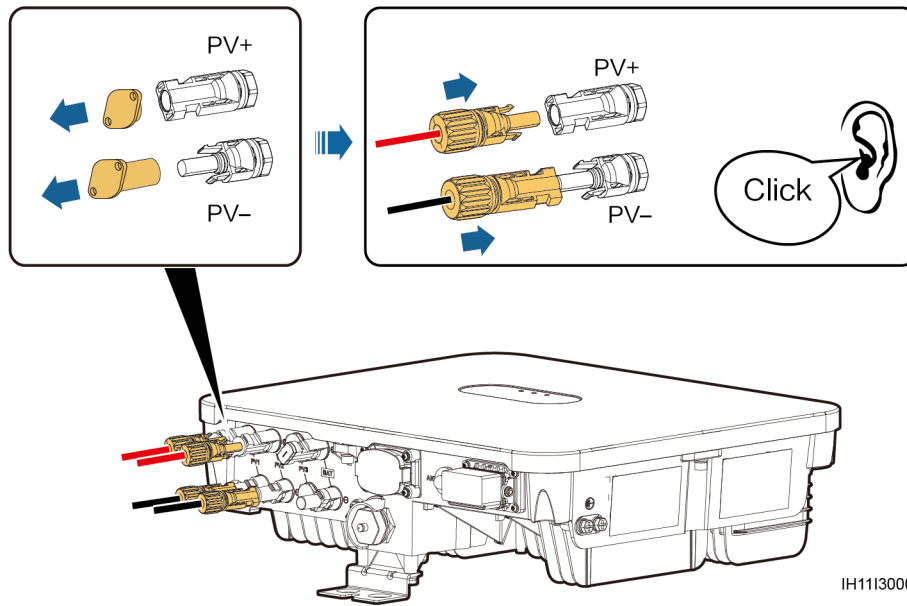
**NOTICE**

After the positive and negative connectors snap into place, try to pull the DC input power cables back to check that they are secure.

**NOTICE**

During DC input power cabling, leave at least 50 mm of slack. The axial tension on PV connectors must not exceed 80 N. Radial stress or torque must not be generated on PV connectors.

**Figure 5-10** Connecting DC input power cables



#### NOTICE

If a DC input power cable is reversely connected and the **DC SWITCH** is set to **ON**, do not immediately operate on the **DC SWITCH** or the positive/negative connectors. Otherwise, the device may be damaged. The resulting device damage is not covered by the product warranty. Wait until the night when solar irradiance declines and the PV string current drops to below 0.5 A. Then set the **DC SWITCH** to **OFF**, remove the positive and negative connectors, and correct the polarities of the DC input power cable.

----End

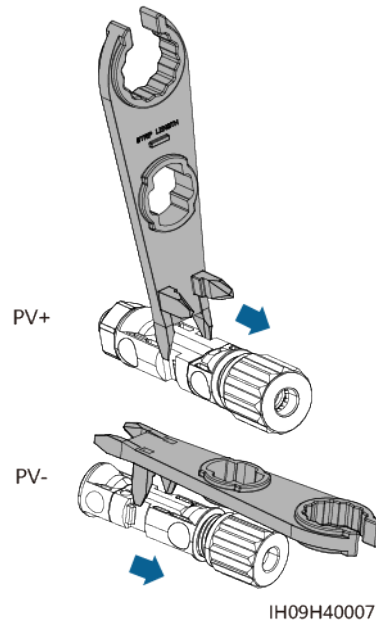
## Removing DC Connectors

#### WARNING

Before removing the positive and negative connectors, ensure that the **DC SWITCH** is set to **OFF**.

To remove the positive and negative connectors from the inverter, insert an open-end wrench into the notch and press the wrench with an appropriate force.

**Figure 5-11** Removing a DC connector



## 5.6 (Optional) Connecting Battery Cables

### Prerequisites

---

**⚠ DANGER**

- Battery short circuits may cause personal injury. The high transient current generated by a short circuit may release a surge of power and cause fire.
- Do not connect, disconnect, or perform other maintenance operations on battery cables when the inverter is running. Otherwise, electric shocks may occur.
- Before connecting the battery cables, ensure that the **DC SWITCH** on the inverter and all the switches connecting to the inverter are **OFF**, and that the inverter has no residual electricity. Otherwise, the high voltage of the inverter and battery may result in electric shocks.
- If no battery connects to the inverter, do not remove the waterproof covers from the battery terminals. Otherwise, the ingress protection (IP) rating of the inverter will be affected. If a battery connects to the inverter, keep the waterproof covers properly and reinstall them immediately after removing the connectors.

---

A battery switch can be configured between the inverter and the battery to ensure that the inverter can be safely disconnected from the battery.

---

 **WARNING**

- Do not connect loads between the inverter and the battery.
  - The battery cables must be connected correctly. That is, the positive and negative terminals of the battery connect to the positive and negative battery terminals of the inverter, respectively. Otherwise, the inverter may be damaged or even a fire may occur.
- 

---

 **WARNING**

If power cables are not installed or routed as required during the installation of the inverter and the battery, the positive or negative terminal of the battery may be short-circuited to ground. In this case, an AC or DC short circuit may occur and damage the inverter. The resulting device damage is not covered under any warranty.

---

## Procedure

- Step 1** Assemble the positive and negative connectors by referring to [5.5 Connecting DC Input Power Cables](#).

---

 **DANGER**

- The battery voltage will result in serious injury. Use dedicated insulated tools to connect cables.
  - Ensure that cables are connected correctly between the terminals of the battery and the battery switch, and between the battery switch and the battery terminals of the inverter.
- 

---

**NOTICE**

Cables with high rigidity, such as armored cables, are not recommended as battery cables, because poor contact may be caused by the bending of the cables.

---

- Step 2** Insert the positive and negative connectors into corresponding battery terminals on the inverter.

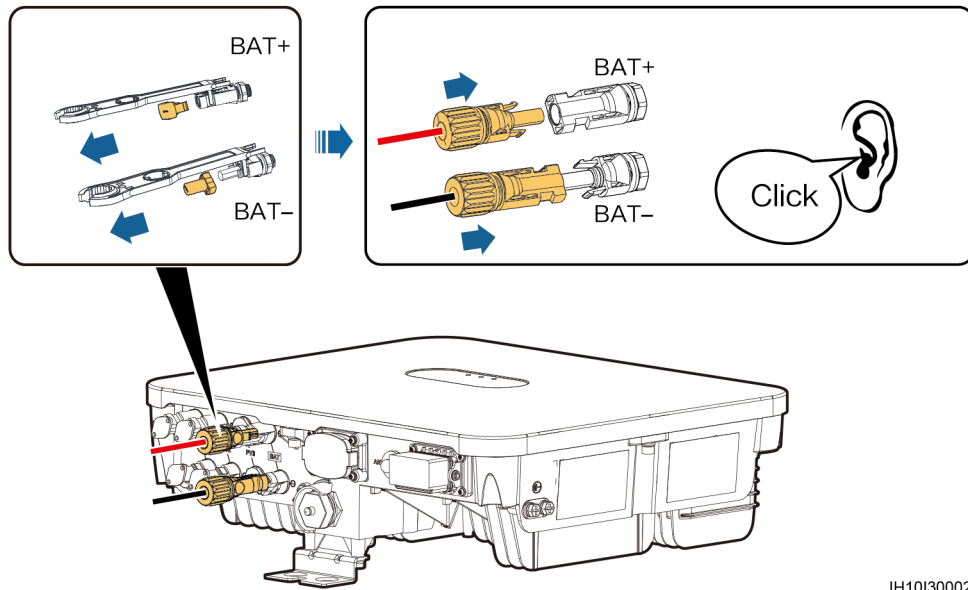
---

**NOTICE**

After the positive and negative connectors snap into place, try to pull the battery cables back to check that they are secure.

---

Figure 5-12 Connecting battery cables



IH10I30002

----End

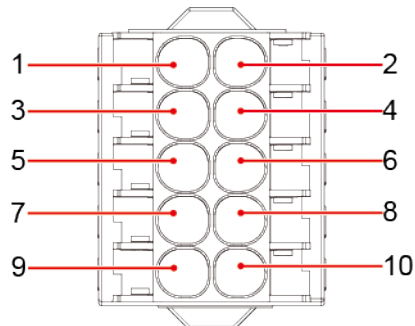
## 5.7 Connecting Signal Cables

### COM Port Pin Definitions

#### NOTICE

- When laying out a signal cable, separate it from power cables and keep it away from strong interference sources to prevent communication interruption.
- Ensure that the signal cable jacket is inside the connector and surplus core wires are cut off flush with the edge of the cable jacket. Insert the exposed core wires completely into the conductor insertion points. Ensure that the cable is connected securely.
- If the Smart Dongle is configured, you are advised to install the Smart Dongle before connecting the signal cable.

Figure 5-13 Pin definitions



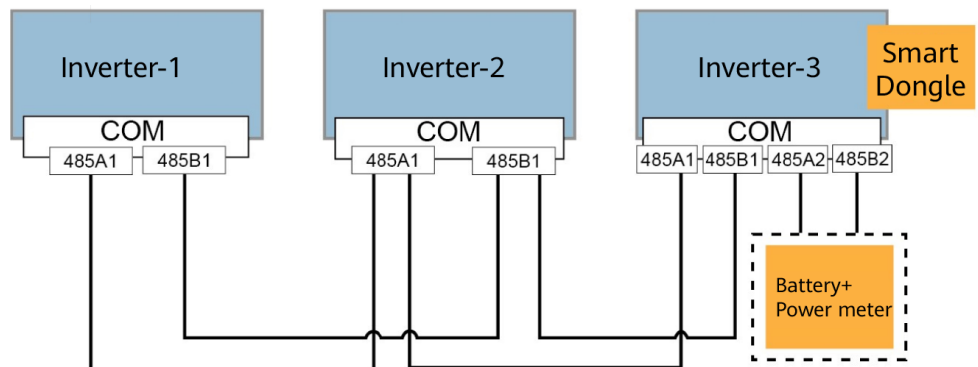
IH09W40001

Pin	Definition	Function	Description
1	485B1	RS485B, RS485 differential signal-	Used for cascading inverters or connecting to the RS485 signal port of the SmartAssistant or Smart Guard. When cascaded inverters and the SmartAssistant coexist, they share the 485B1 and 485A1 ports. <b>NOTE</b> Inverters cannot be cascaded in the Smart Guard networking.
2	485A1	RS485A, RS485 differential signal+	
3	485B2	RS485B, RS485 differential signal-	Used to connect to the RS485 signal ports on the batteries and power meters. When batteries and power meters coexist, they share the 485B2 and 485A2 ports.
4	485A2	RS485A, RS485 differential signal+	
5	GND	GND	Used to connect to the GND of the enable signal/DI1/DI2 of the battery.
6	EN+	Enable signal	Used to connect to the enable signal of the battery.
7	DI1	Digital input signal 1+	It can connect to the DRM0 scheduling signal or serve as a port for rapid shutdown and shut down system via DI signals.
8	DI2	Digital input signal 2+	It serves as the feedback signal port of the Smart Guard.
9	GND	GND	Used to connect to the GND of the enable signal/DI1/DI2 of the battery.
10	PE	Shield layer grounding	-

### Communication Networking Mode

- Smart Dongle networking

**Figure 5-14** Smart Dongle networking (the components in the dashed box are optional)

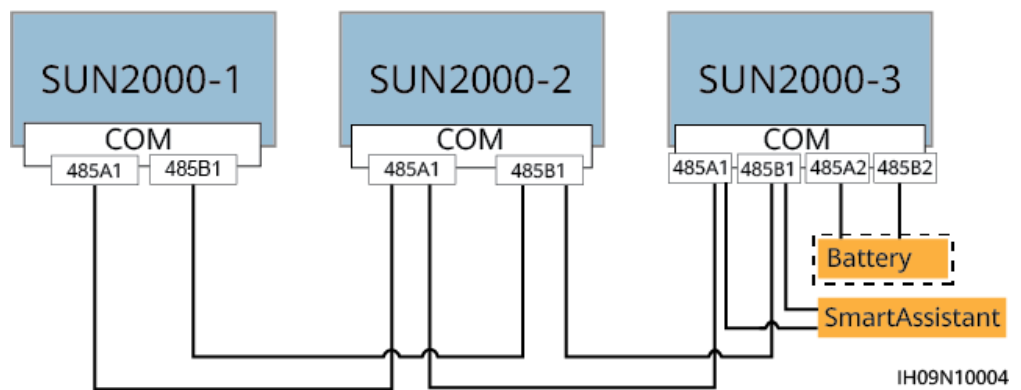


IH12W00010

**NOTE**

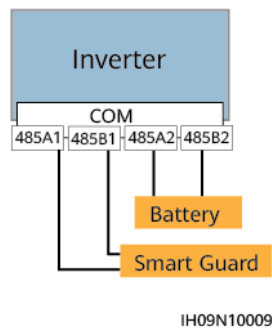
- The power meter and the Smart Dongle must be connected to the same inverter.
  - In the preceding networking, the inverters are cascaded and support the grid-tied point control function to achieve zero export.
  - If the inverters require the grid-tied point control function, they need to be connected to a power meter.
  - In the PV+ESS scenario, a maximum of three inverters can be cascaded. The inverter connected to the Smart Dongle must be connected to the ESS. Whether other inverters are connected to the ESS is optional.
- SmartAssistant networking

**Figure 5-15** SmartAssistant networking (the component in the dashed box is optional)



- Smart Guard networking

**Figure 5-16** Smart Guard networking

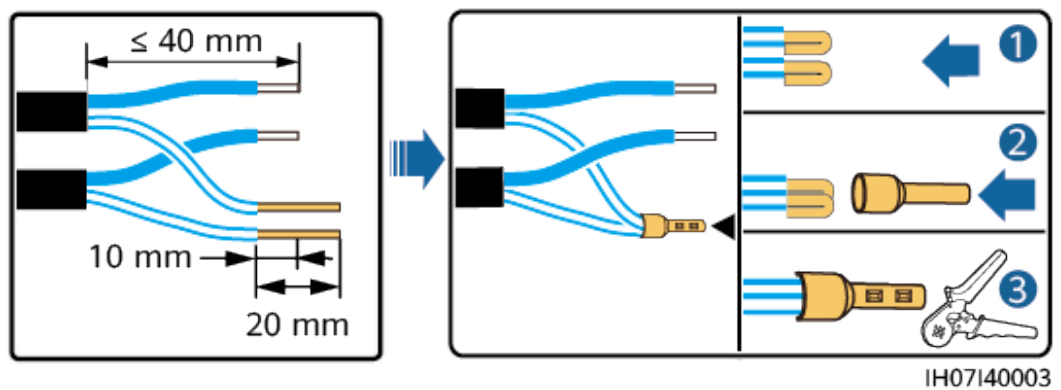


## Requirements for Signal Cables

### NOTICE

- Ensure that the cable jacket is inside the connector and surplus core wires are cut off flush with the edge of the cable jacket.
- Insert the exposed core wires completely into the conductor insertion points.
- Ensure that the signal cables are connected securely.
- Ensure that the cables are not twisted.
- If multiple signal cables need to be connected to a single connector, ensure that the outer diameters of the signal cables are the same.

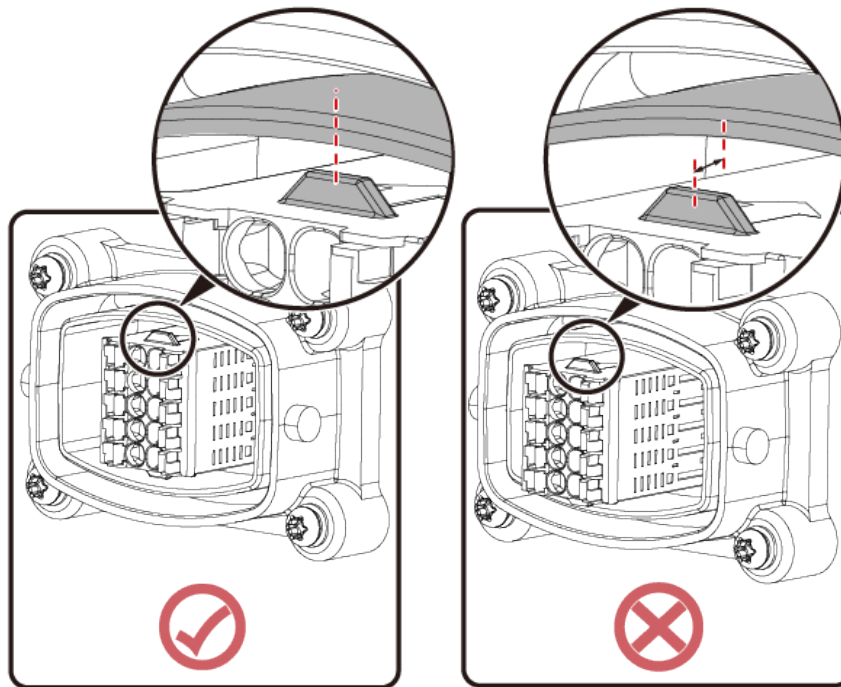
Figure 5-17 Crimping two signal cables



## Requirements for Installing the Signal Cable Connector Block

When you install a connector block in the inverter, align the top of the connector block with the outer edge of the COM port, as shown in the following figure.

**Figure 5-18** Installing the connector block



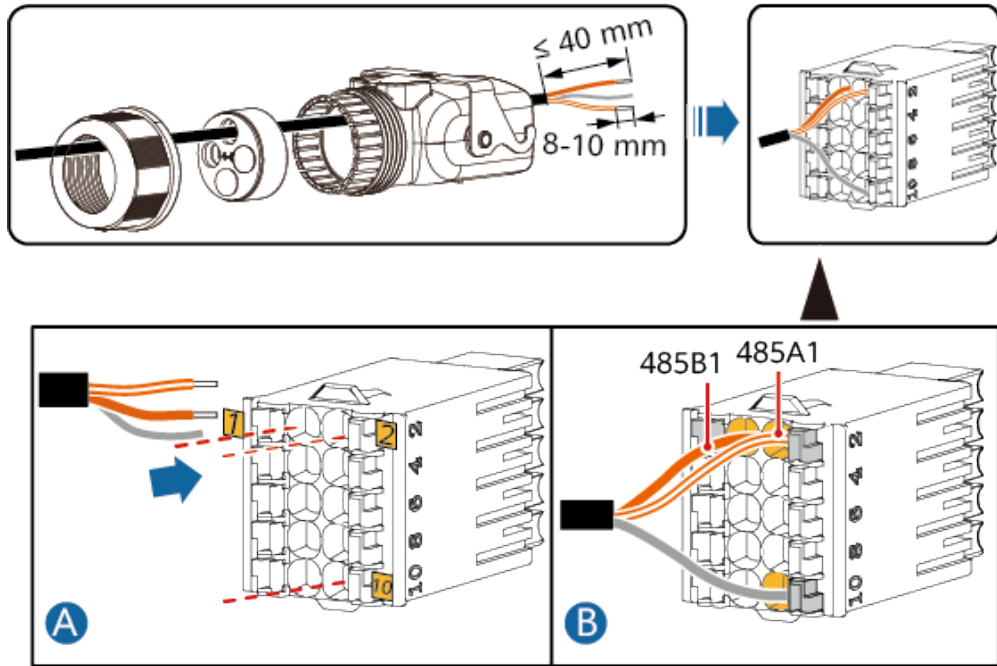
IH09H40006

## 5.7.1 Connecting RS485 Communications Cables (Inverter Cascading)

### Procedure

**Step 1** Connect the signal cable to the signal cable connector block.

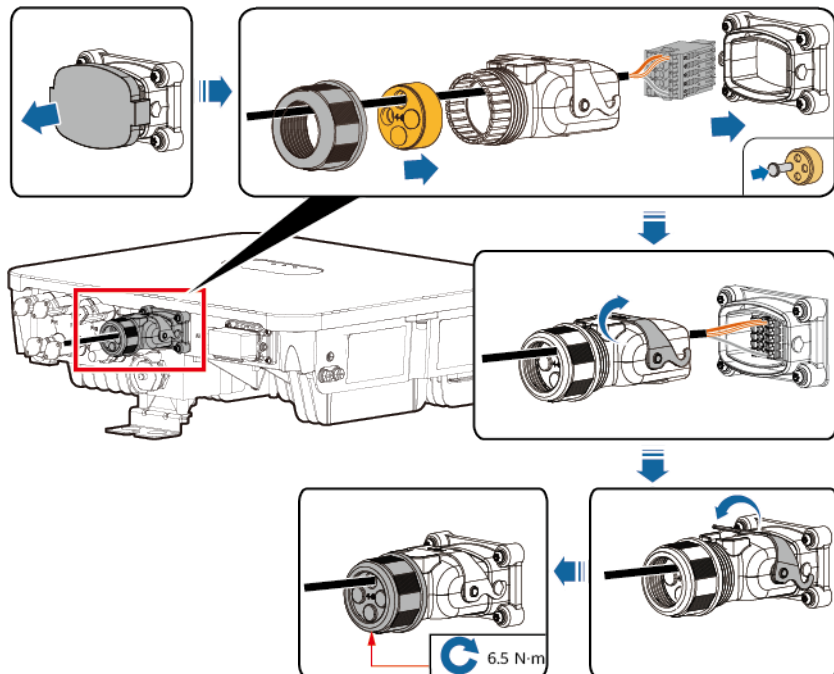
Figure 5-19 Installing the cable



IH09I40001

**Step 2** Connect the signal cable connector to the COM port.

Figure 5-20 Securing the signal cable connector



IH10H40001

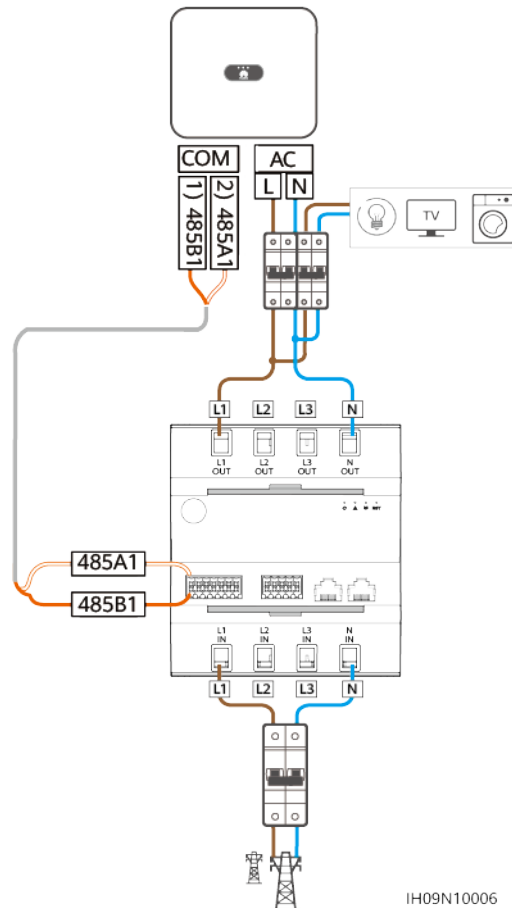
----End

## 5.7.2 Connecting RS485 Communications Cables (SmartAssistant and Battery)

### Cable Connections

The following figure shows the cable connections between the inverter and the SmartAssistant.

**Figure 5-21** Connecting cables to the SmartAssistant

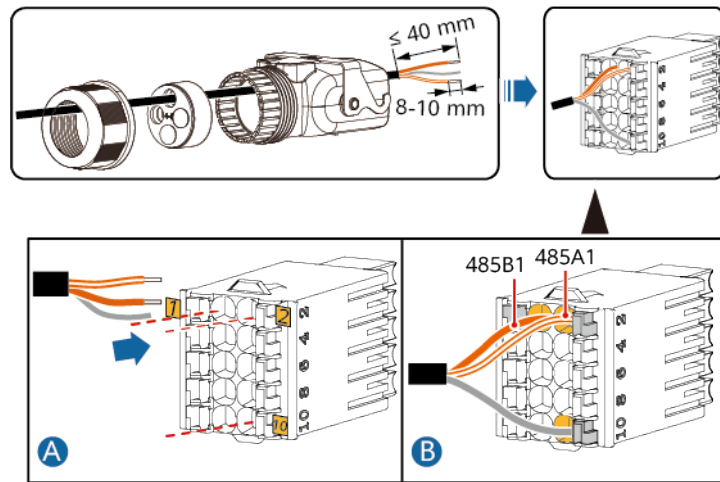


IH09N10006

### Procedure

- Step 1** Connect the signal cable to the signal cable connector block.
- Connecting the inverter to the SmartAssistant

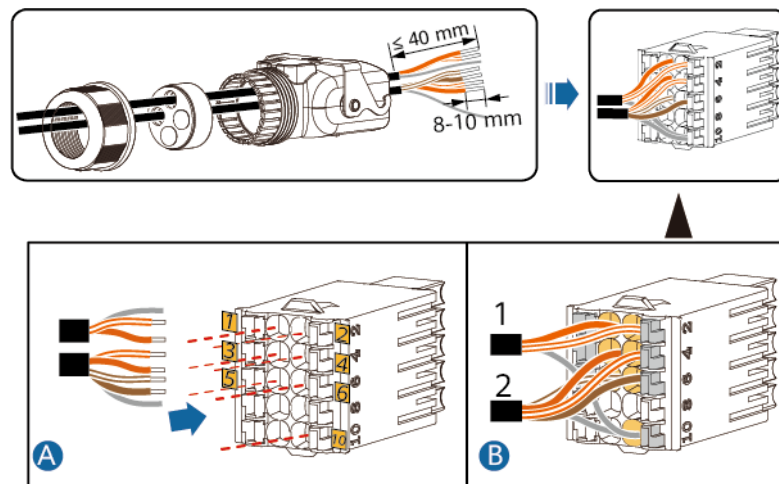
**Figure 5-22** Installing the cable (connecting to the SmartAssistant)



IH09140001

- Connecting the SmartAssistant and battery to the inverter

**Figure 5-23** Installing cables (connecting to the SmartAssistant and battery)



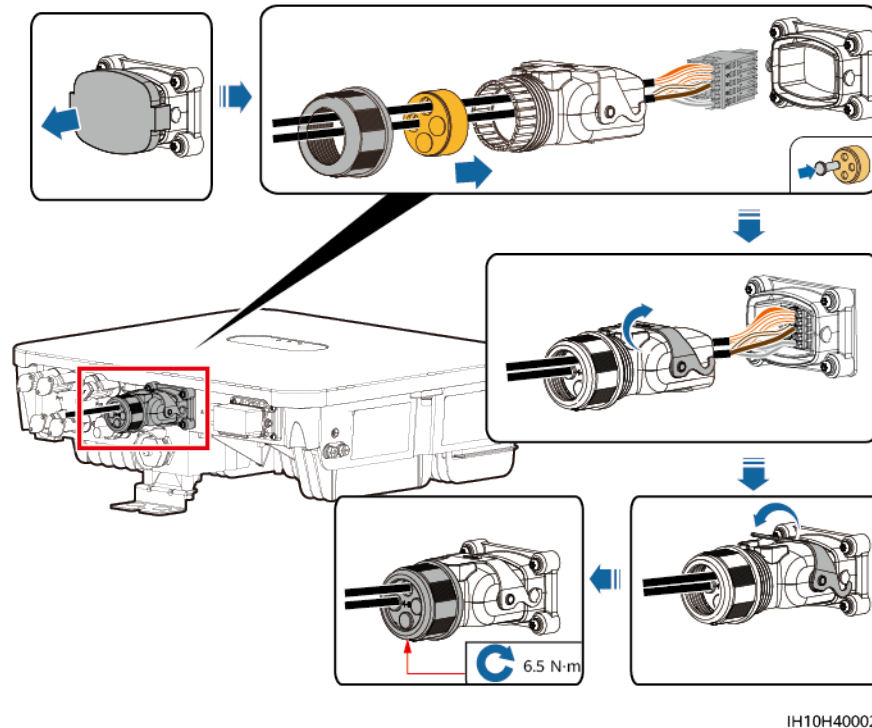
IH09140002

**Table 5-3** Cable connections

Cable	Pin	Definition	To	
1	1	485B1	SmartAssistant 485B1	
	2	485A1		485A1
2	3	485B2	Battery 485B	
	4	485A2		485A
	5	GND		Enable-
	6	EN+		Enable+

**Step 2** Connect the signal cable connector to the COM port.

**Figure 5-24** Securing the signal cable connector



IH10H40002

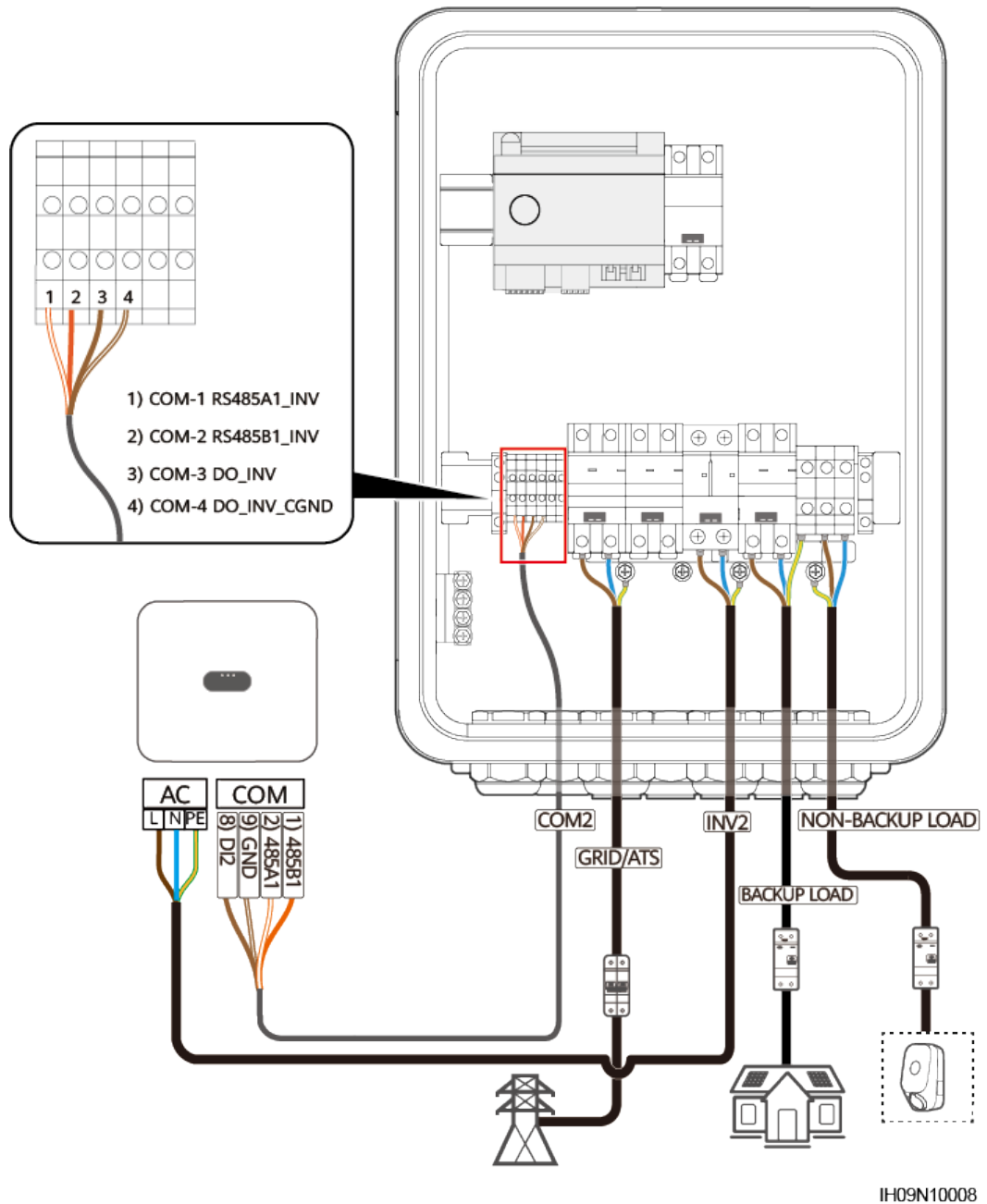
----End

### 5.7.3 Connecting RS485 Communications Cables (Smart Guard and Battery)

#### Cable Connections

The following figure shows the cable connections between the inverter and the Smart Guard.

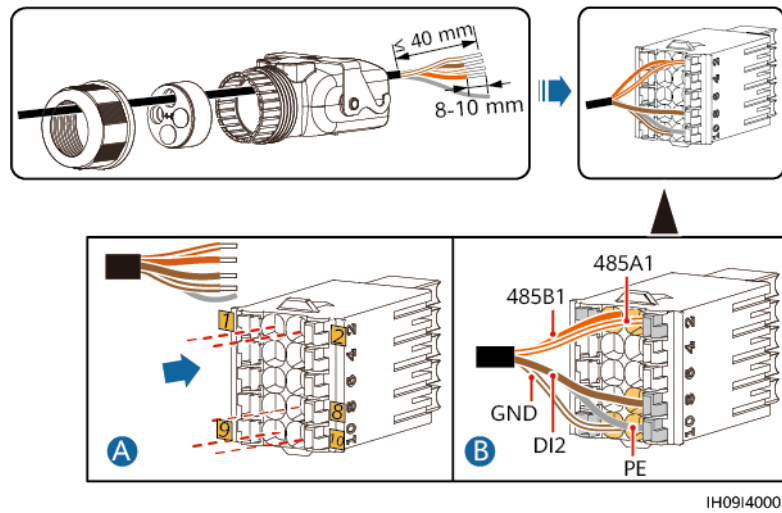
**Figure 5-25** Connecting cables to the Smart Guard



## Procedure

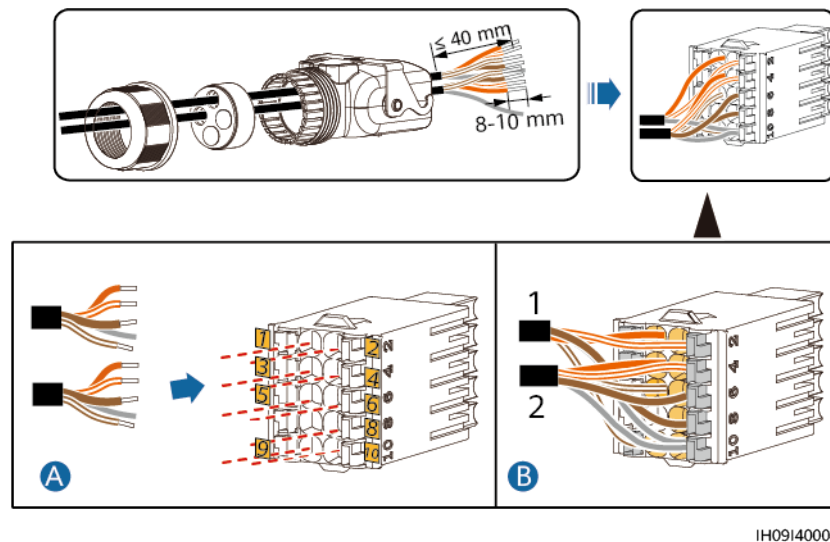
- Step 1** Connect the signal cable to the signal cable connector block.
- Connecting the inverter to the Smart Guard

**Figure 5-26** Installing the cable (connecting to the Smart Guard)










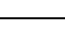
- Connecting the inverter to the Smart Guard and battery

**Figure 5-27** Installing cables



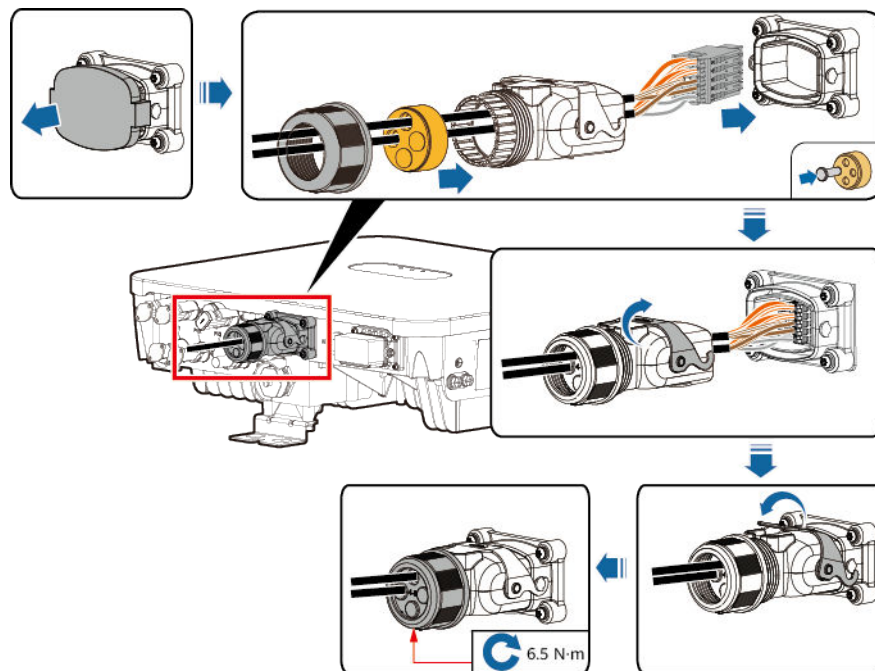
**Table 5-4** Cable connections

Cable		Pin	Definition	To	
1		1	485B1	Smart Guard	COM-2 RS485B1_INV
		2	485A1		COM-1 RS485A1_INV
		9	GND		COM-4 DO_INV_CGND
		8	DI2		COM-3 DO_INV

Cable		Pin	Definit ion	To	
2		3	485B2	Battery	485B
		4	485A2		485A
		5	GND		Enable-
		6	EN+		Enable+

**Step 2** Connect the signal cable connector to the COM port.

**Figure 5-28** Securing the signal cable connector



IH10H40003

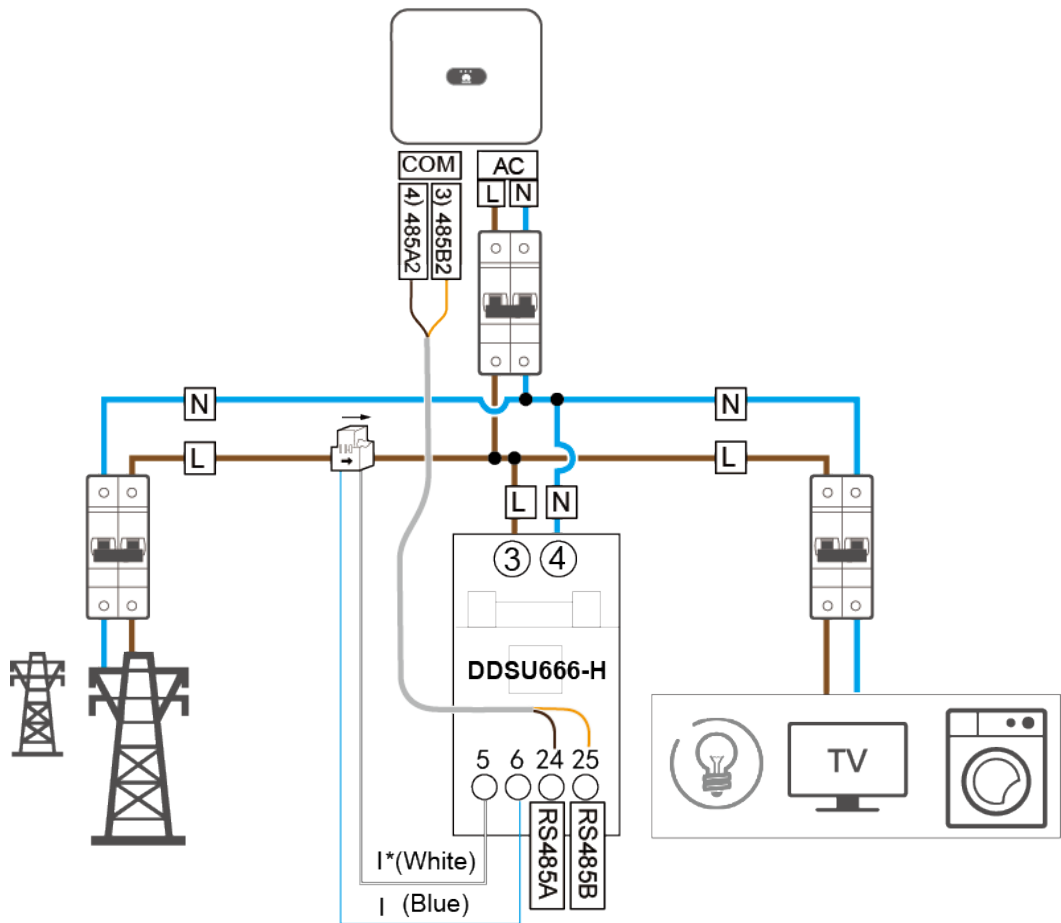
----End

## 5.7.4 Connecting RS485 Communications Cables (Power Meter and Battery)

### Cable Connections

The following figure shows the cable connections between the inverter and the DDSU666-H power meter.

Figure 5-29 Connecting cables to the DDSU666-H power meter



IH09N10007

**NOTE**

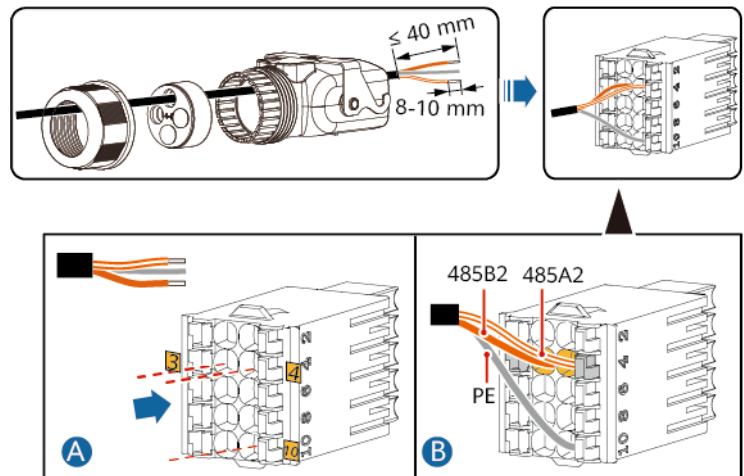
- The power meter and the Smart Dongle must be connected to the same inverter.
- Retain the default baud rates for the power meters. If they are changed, the power meters may go offline, generate alarms, or affect the inverter output power.
- The preceding networking uses DDSU666-H as an example. Cable connections for other meter models may vary.

**Procedure**

**Step 1** Connect the signal cable to the signal cable connector block.

- Connecting the inverter to the power meter

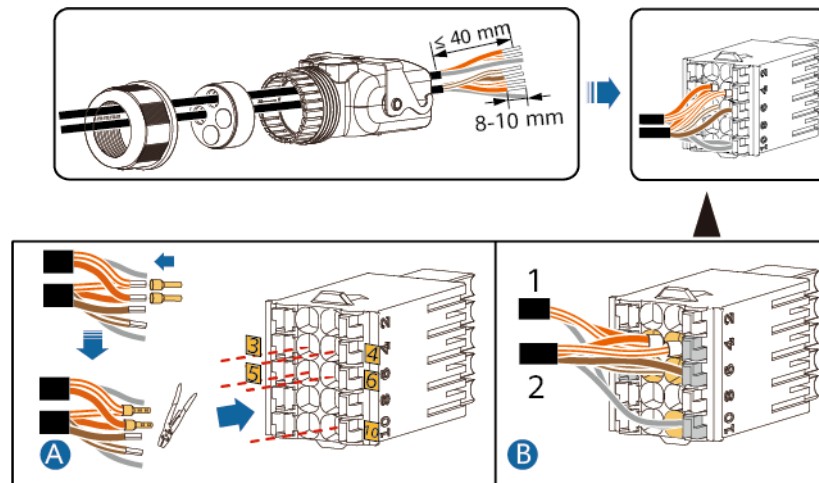
**Figure 5-30** Installing the cable (connecting to the power meter)



IH09I40006







- Connecting the power meter and battery to the inverter

**Figure 5-31** Installing cables (connecting to the power meter and battery)



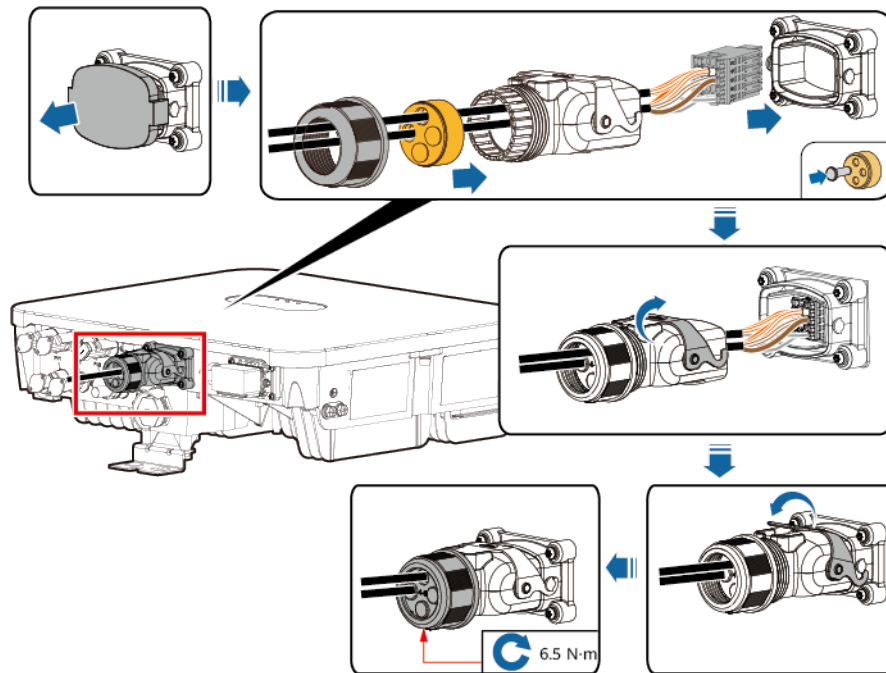
IH09I40007

**Table 5-5** Cable connections

Cable	Pin	Definition	To
1		3	Power meter
		4	Power meter
2		3	Battery
		4	
		5	
		6	

**Step 2** Connect the signal cable connector to the COM port.

**Figure 5-32** Securing the signal cable connector



IH10H40005

----End

## 5.7.5 Connecting Rapid Shutdown Signal Cables

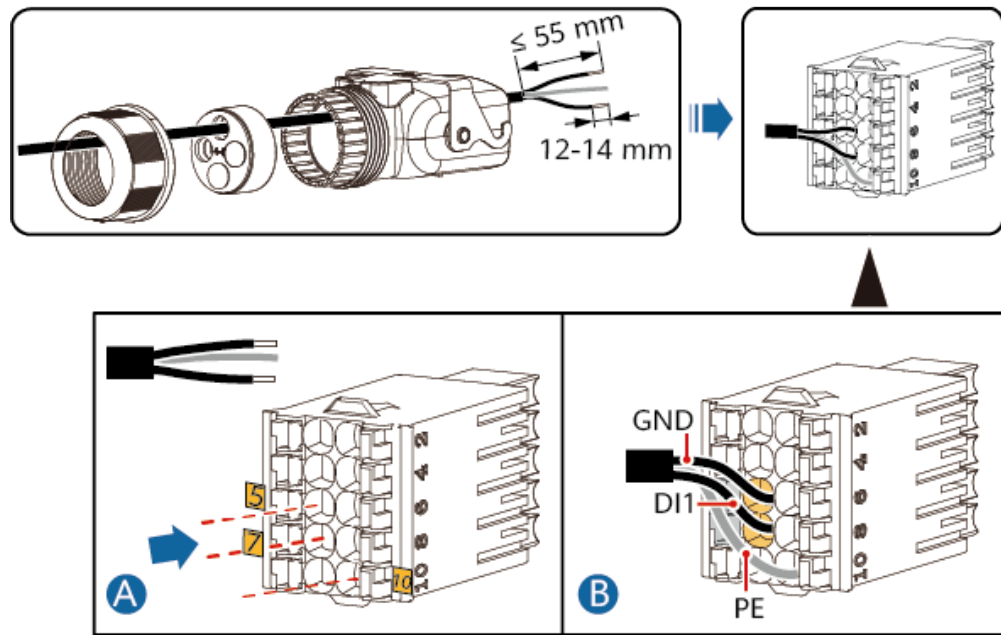
### Procedure

**Step 1** Connect the signal cable to the signal cable connector block.

#### NOTICE

- The rapid shutdown function is supported only if optimizers are configured for all PV modules.
- Connect terminals 5 and 7 to a switch. The switch is turned on by default. When the switch is turned off, a rapid shutdown is triggered.

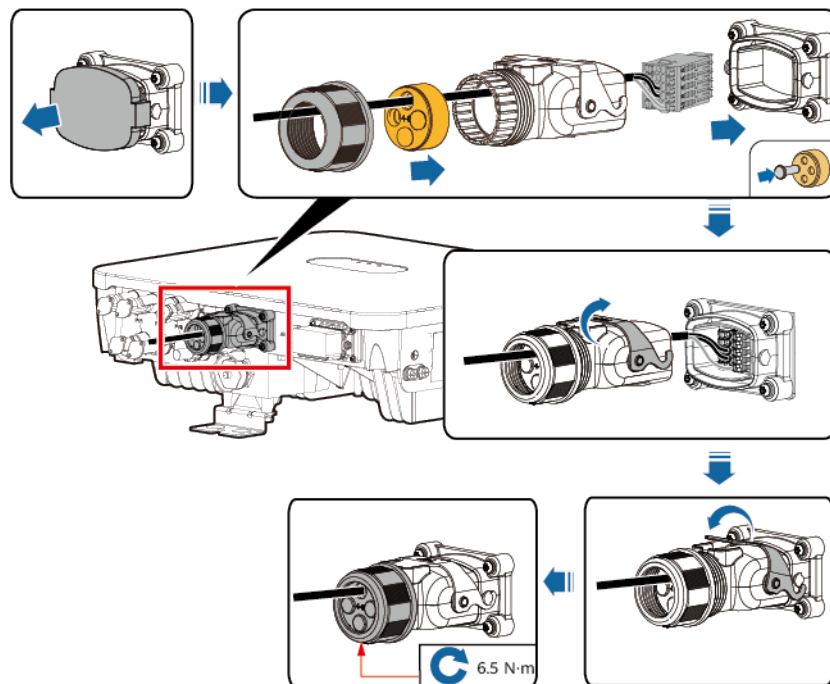
Figure 5-33 Installing the cable



IH09140005

**Step 2** Connect the signal cable connector to the COM port.

Figure 5-34 Securing the signal cable connector



IH10H40004

----End

## 5.8 (Optional) Installing the Smart Dongle and Anti-theft Components

### NOTE

- If WLAN-FE communication is used, install the WLAN-FE Smart Dongle (SDongleA-05). For details, see [SDongleA-05 Smart Dongle Quick Guide \(WLAN-FE\)](#).
- If 4G communication is used, install the 4G Smart Dongle (SDongleB-06). For details, see [SDongleB-06 Smart Dongle Quick Guide \(4G\)](#).

### NOTE

If the Smart Dongle is used, you need to install anti-theft components after installing the Smart Dongle.

### WLAN-FE Smart Dongle (FE Communication)

You are advised to use a CAT 5E outdoor shielded network cable (outer diameter < 9 mm; internal resistance  $\leq 1.5$  ohms/10 m) and shielded RJ45 connectors.

Figure 5-35 Installing the WLAN-FE Smart Dongle (FE communication)

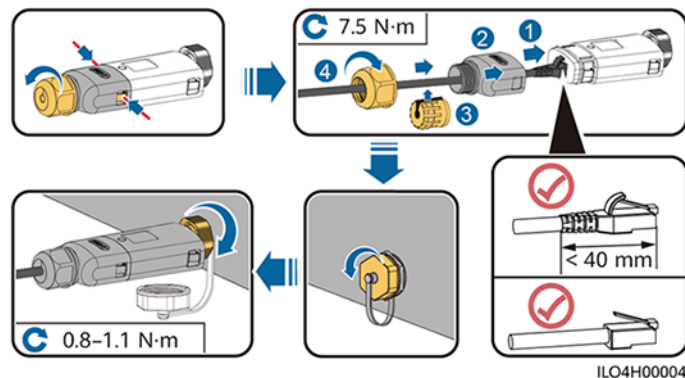
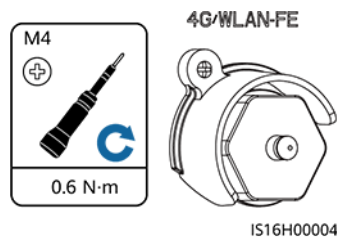


Figure 5-36 Installing anti-theft components for the Smart Dongle



## 4G Smart Dongle (4G Communication)

### NOTE

- If your Smart Dongle is not configured with a SIM card, you need to prepare one (dimensions: 25 mm x 15 mm; capacity:  $\geq 64$  KB).
- When installing the SIM card, determine its installation direction based on the silk screen and arrow on the card slot.
- Press the SIM card in place to lock it. In this case, the SIM card is correctly installed.
- When removing the SIM card, push it inward to eject it.
- When reinstalling the enclosure of the Smart Dongle, ensure that the snap-fits click into place.

Figure 5-37 Installing the 4G Smart Dongle (SDongleB-06)

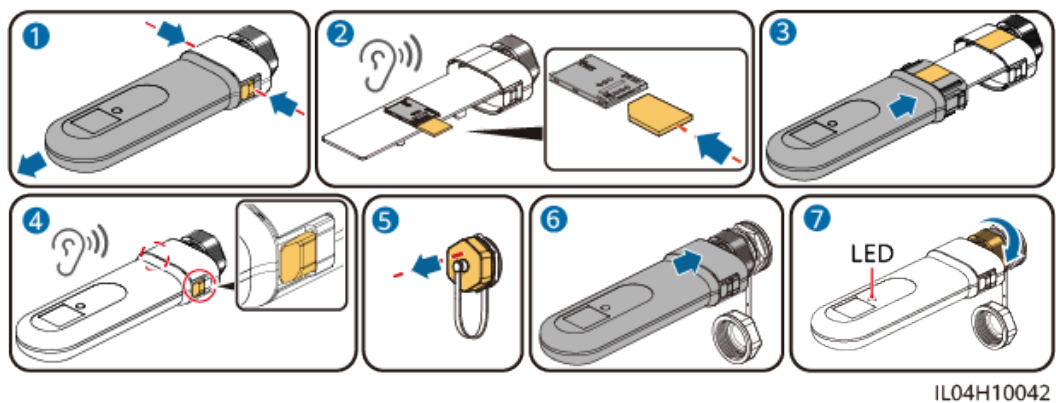
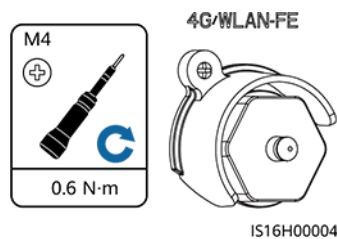


Figure 5-38 Installing anti-theft components for the Smart Dongle



## 5.9 Installing an Antenna

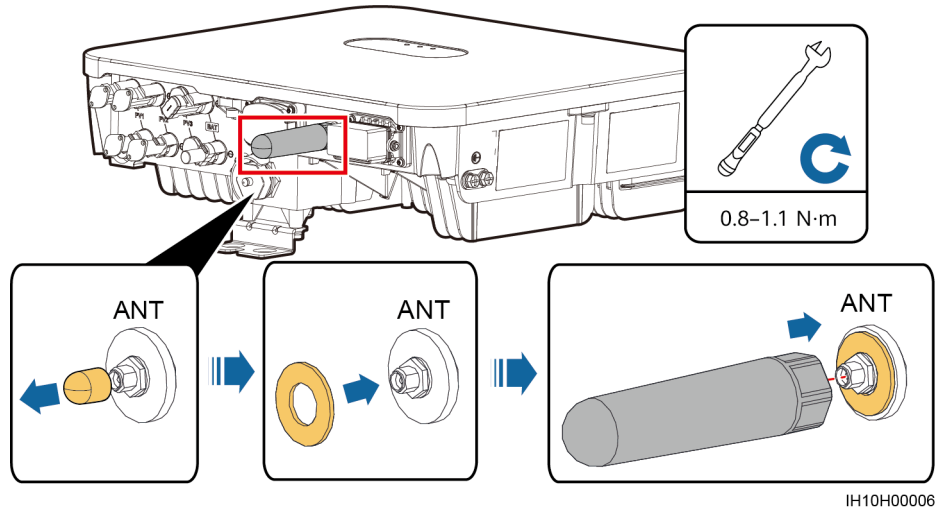
### Procedure

- Step 1** Remove the watertight cap from the ANT port.
- Step 2** Install the washer to the ANT port on the device.
- Step 3** Install the WLAN antenna.

### NOTICE

Ensure that the WLAN antenna is installed securely.

**Figure 5-39** Installing a WLAN antenna



----End

# 6 Check Before Power-On

**Table 6-1** Installation checklist

No.	Check Item	Acceptance Criteria
1	Inverter installation	The inverter is installed correctly, securely, and reliably.
2	Smart Dongle	The Smart Dongle is installed correctly and securely.
3	Cable layout	Cables are routed properly as required by the customer.
4	Cable tie	Cable ties are secured evenly and no burr exists.
5	Grounding	The ground cable is connected correctly, securely, and reliably.
6	Turn off the switches	The <b>DC SWITCH</b> and all the switches connected to the inverter are set to <b>OFF</b> .
7	Cable connections	The AC output power cable, DC input power cable, and signal cable are connected correctly, securely, and reliably.
8	Unused terminals and ports	Unused terminals and ports are locked by watertight caps.
9	Installation environment	The installation space is proper, and the installation environment is clean and tidy, without foreign matter.

# 7 Power-On and Commissioning

## DANGER

- Wear PPE and use dedicated insulated tools to avoid electric shocks or short circuits.

## 7.1 Powering On the Inverter

### Precautions

#### NOTICE

Before the equipment is put into operation for the first time, ensure that the parameters are set correctly by professional personnel. Incorrect parameter settings may result in noncompliance with local grid connection requirements and affect the normal operations of the equipment.

#### NOTICE

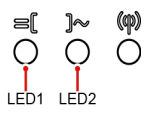
- If the DC power supply is connected but the AC power supply is disconnected, the inverter will report a **Grid Loss** alarm. The inverter can start properly only after the power grid recovers.
- If the AC power supply is connected but the battery is not connected, the inverter reports a **Battery Abnormal** alarm.

### Procedure

- Step 1** If a battery connects to the battery port, turn on the battery switch.
- Step 2** At the AC switch between the inverter and the power grid, use a multimeter to measure the grid voltage and ensure that the voltage is within the allowed operating voltage range of the inverter. If the voltage is not in the allowed range, check the circuits.

- Step 3** Turn on the AC switch between the inverter and the power grid.
- Step 4** Turn on the DC switch (if any) between the PV strings and the inverter.
- Step 5** Set the DC switch on the inverter to ON.
- Step 6** Observe the LED indicators to check the status of the inverter.

**Table 7-1** LED indicators

Category	Status		Description
Running indication 	<b>LED1</b>	<b>LED2</b>	-
	Steady green	Steady green	The inverter is running in on-grid state.
	Blinking green slowly (on for 1s and off for 1s)	Off	The DC is on and the AC is off.
	Blinking green slowly (on for 1s and off for 1s)	Blinking green slowly (on for 1s and off for 1s)	Both the DC and AC are on, and the inverter is off-grid.
	Off	Blinking green slowly (on for 1s and off for 1s)	The DC is off and the AC is on.
	Steady yellow	Steady yellow	The inverter is running in off-grid state.
	Blinking yellow slowly	Off	The DC is on and the inverter has no output in off-grid state.
	Blinking yellow slowly	Blinking yellow slowly	The inverter is in off-grid overload state.
	Off	Off	Both the DC and AC are off.
	Blinking red fast (on for 0.2s and off for 0.2s)	-	There is a DC environmental alarm, such as <b>String Voltage High, String Reverse Connection, or Low Insulation Resistance.</b>
	-	Blinking red fast (on for 0.2s and off for 0.2s)	There is an AC environmental alarm, such as <b>Grid Undervoltage, Grid Overvoltage, Grid Overfrequency, or Grid Underfrequency.</b>
	Steady red	Steady red	A fault exists.

Category	Status	Description		
Communi- cation indication  	<b>LED3</b>	-		
	Blinking green fast (on for 0.2s and off for 0.2s)	Communication is in progress.		
	Blinking green slowly (on for 1s and off for 1s)	A mobile phone is connected to the inverter.		
	Off	There is no communication.		
Device replaceme- nt indication	<b>LED1</b>	<b>LED2</b>	<b>LED3</b>	-
	Steady red	Steady red	Steady red	The inverter hardware is faulty and needs to be replaced.

**NOTE**

If off-grid overload occurs, the inverter indicators LED1 and LED2 will blink orange slowly. You need to reduce the power of the off-grid loads, and manually clear the alarm or wait for the inverter to automatically recover. The inverter attempts to restart every 5 minutes. After three failed attempts, the retry interval changes to 2 hours. If the inverter is standby in off-grid mode, check the inverter alarms and rectify the faults.

----End

## 7.2 Device Commissioning

### Smart Guard Networking

No.	Contents
1	Downloading the App and Registering an Installer Account
2	Quick Settings, Running Information Viewing, and Alarm Management
3	Setting Parameters: Backup Power Parameter Settings, Power Control, and Battery Parameter Settings
4	Connecting to a Plant
5	Registering an Owner Account or Another Installer Account
6	Energy Management: Negative Rate Optimization, Energy Management Assistant, and Intelligent Power Backup

For details about the device commissioning procedure, see the *Smart Guard Networking Commissioning Manual*. The commissioning manual varies depending on the app. Refer to the manual corresponding to the app in use.

## SmartAssistant Networking

No.	Contents
1	Downloading the App and Registering an Installer Account
2	Quick Settings
3	Connecting to a Plant, Setting Electricity Prices, and Registering an Account
4	Setting Parameters: Power Control, Battery Parameter Settings, Communication Parameter Settings, and Other Parameter Settings
5	Energy Management: Negative Rate Optimization and Energy Management Assistant
6	Commissioning Smart Appliances and Huawei Chargers

For details about the device commissioning procedure, see the *SmartAssistant Networking Commissioning Manual*. The commissioning manual varies depending on the app. Refer to the manual corresponding to the app in use.

## Smart Dongle Networking and Inverter Direct Connection

No.	Contents
1	Downloading the App and Registering an Installer Account
2	Quick Settings
3	Connecting to a Plant and Registering an Account
4	Setting Parameters: Power Control, Battery Parameter Settings, and Other Parameter Settings
5	Energy Management: Negative Rate Optimization and Energy Management Assistant

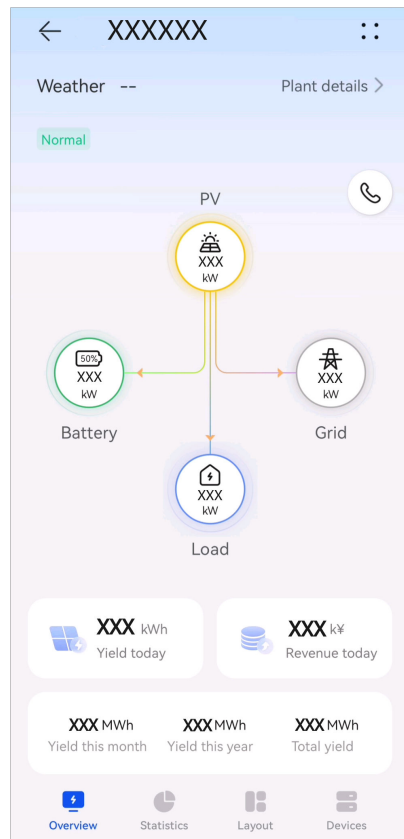
For details about the device commissioning procedure, see the *Smart Dongle Networking and Inverter Direct Connection Commissioning Manual*. The commissioning manual varies depending on the app. Refer to the manual corresponding to the app in use.

## 7.3 Viewing the Plant Creation Status

The App provides an overview of plants. You can view the plant running status, energy yield and consumption, revenue, and energy flow diagram in real time.

Log in to the app, tap **Home**, and tap **Plants**. This screen displays the real-time running status and basic information of all plants managed by the user by default.

Figure 7-1 Viewing the plant creation status



# 8 System Maintenance

## DANGER

- Wear PPE and use dedicated insulated tools to avoid electric shocks or short circuits.

## WARNING

- Before performing maintenance, power off the equipment, follow the instructions on the delayed discharge label, and wait for a period of time as specified to ensure that the equipment is not energized.

## 8.1 Routine Maintenance

To ensure that the inverter can operate properly for a long term, you are advised to perform routine maintenance on it as described in this section.

## CAUTION

Power off the system before cleaning the system, connecting cables, and checking grounding reliability.

**Table 8-1** Maintenance checklist

Check Item	Check Method	Maintenance Interval
System cleanliness	Check periodically whether the heat sinks are blocked or dirty.	Once every 6 to 12 months

Check Item	Check Method	Maintenance Interval
Cleanness of air intake and exhaust vents	Check periodically whether there is dust or foreign objects at the air intake and exhaust vents.	Power off the inverter and remove dust and foreign objects. If necessary, remove the baffle plates from the air intake and exhaust vents for cleaning.  Once every 6 to 12 months (or once every 3 to 6 months based on the actual dust conditions in the environment)
System running status	<ul style="list-style-type: none"> <li>• Check whether the inverter is damaged or deformed.</li> <li>• Check whether the inverter generates abnormal sound during operation.</li> <li>• Check whether all inverter parameters are correctly set during operation.</li> </ul>	Once every 6 months
Electrical connection	<ul style="list-style-type: none"> <li>• Check whether cables are disconnected or loose.</li> <li>• Check whether cables are damaged, especially whether the cable sheath that contacts a metal surface is damaged.</li> </ul>	6 months after the first commissioning and once every 6 to 12 months after that
Grounding reliability	Check whether the PE cable is securely connected.	6 months after the first commissioning and once every 6 to 12 months after that
Sealing	Check whether all terminals and ports are properly sealed.	Once a year

## 8.2 System Power-Off

### Precautions

---

 **WARNING**

- After the system is powered off, the inverter is still energized and hot, which may cause electric shocks or burns. Therefore, wait for at least 5 minutes and wear insulated gloves before working on the inverter.
  - Before maintaining the optimizer and PV strings, power off the system by following the procedure. Otherwise, electric shocks may occur because the PV strings are energized.
- 

### Procedure

- Step 1** Send a shutdown command on the app.
- Step 2** Set the **DC SWITCH** to **OFF**.
- Step 3** Turn off the AC switch between the inverter and the power grid.
- Step 4** Turn off the DC switch between the inverter and PV strings.
- Step 5** (Optional) Turn off the battery switch between the inverter and the battery.
- End

## 8.3 Troubleshooting

For details about alarms, see the [Inverter Alarm Reference](#).

## 8.4 Replacing an Inverter

- Step 1** Remove the inverter.
1. Power off the system. For details, see [8.2 System Power-Off](#).
  2. Disconnect all cables from the inverter, including signal cables, DC input power cables, battery cables, AC output power cables, and PE cables.
  3. Remove the WLAN antenna or Smart Dongle from the inverter.
  4. Remove the inverter from the mounting bracket.
  5. Remove the mounting bracket.
- Step 2** Pack the inverter.
- If the original packaging is available, put the inverter inside it and then seal it using adhesive tape.
  - If the original packaging is unavailable, put the inverter inside a suitable hard cardboard box and seal it properly.

**Step 3** Dispose of the inverter.

If the inverter reaches the end of its service life, dispose of it according to local regulations for the disposal of electrical equipment.

**Step 4** Install a new inverter.

----End

## 8.5 Locating Insulation Resistance Faults

If the ground resistance of a PV string connected to the inverter is too low, the inverter generates a **Low insulation resistance** alarm.

The possible causes are as follows:

- A short circuit has occurred between the PV array and the ground.
- The ambient air of the PV array is damp and the insulation between the PV array and the ground is poor.

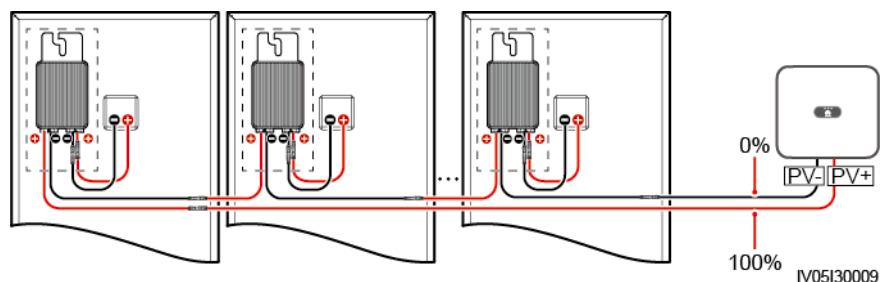
After the **Low insulation resistance** alarm is reported by the inverter, insulation resistance fault location is automatically triggered. If the fault location is successful, the location information is displayed on the **Alarm details** screen of the **Low insulation resistance** alarm on the app.

Log in to the app, choose **Alarm > Active alarm**, select **Low insulation resistance** to enter the **Alarm details** screen.

 **NOTE**

- The positive and negative terminals of a PV string are connected to the PV+ and PV- terminals of the inverter, respectively. The 0% position corresponds to the PV- terminal, and the 100% position corresponds to the PV+ terminal. Other percentages indicate that the fault occurs on a PV module or cable in the PV string.
- Possible fault position = Total number of PV modules in a PV string x Percentage of possible short-circuit positions. For example, if a PV string consists of 14 PV modules and the percentage of the possible short-circuit position is 34%, the possible fault position is 4.76 (14 x 34%), indicating that the fault is located near PV module 4, including the adjacent PV modules and their cables. The inverter has a detection precision of  $\pm 1$  PV module.
- When a non-short-circuit fault occurs, the possible short-circuit percentage is not displayed. If the insulation resistance is greater than 0.001 M $\Omega$ , the fault is not related to short circuit. Check all PV modules in the faulty PV string one by one to locate and rectify the fault.

**Figure 8-1** Percentage of short-circuit positions



## Procedure

### NOTICE

If the irradiance or the PV string voltage is too high, the insulation resistance fault location may fail. In this case, the fault location status on the **Alarm details** screen is **Conditions not met**. Perform the following steps to connect PV strings to the inverter one by one to locate the fault. If the system is not configured with any optimizer, skip the corresponding optimizer operations.

- Step 1** Ensure that the AC connections are normal. Log in to the app, choose **Maintenance > Inverter ON/OFF** on the home screen, and send a shutdown command. Set **DC SWITCH** to **OFF**.
- Step 2** Connect one PV string to the inverter, and set **DC SWITCH** to **ON**. If the inverter status is **Shutdown: Command**, log in to the app, choose **Maintenance > Inverter ON/OFF** on the home screen, and send a startup command.
- Step 3** Choose **Alarm** on the home screen, enter the **Active alarm** screen, and check whether a **Low insulation resistance** alarm is reported.
  - If no **Low insulation resistance** alarm is reported 1 minute after the DC side is powered on, choose **Maintenance > Inverter ON/OFF** on the home screen, and send a shutdown command. Set **DC SWITCH** to **OFF**. Go to **Step 2** and check rest of the PV strings one by one.
  - If a **Low insulation resistance** alarm is reported 1 minute after the DC side is powered on, check the percentage of possible short-circuit positions on the **Alarm details** screen and calculate the location of the possible faulty PV module based on the percentage. Then go to **Step 4**.
- Step 4** Log in to the app, choose **Maintenance > Inverter ON/OFF** on the home screen, and send a shutdown command. Set **DC SWITCH** to **OFF**. Check whether the connectors or DC power cables between the optimizer and PV module, between adjacent PV modules, or between adjacent optimizers on the possible fault position are damaged.
  - If yes, replace the damaged connectors or DC power cables, and then set **DC SWITCH** to **ON**. If the inverter status is **Shutdown: Command**, choose **Maintenance > Inverter ON/OFF**, and send a startup command. View alarm information.
    - If no **Low insulation resistance** alarm is reported 1 minute after the DC side is powered on, troubleshoot the insulation resistance fault of the PV string. Log in to the app, choose **Maintenance > Inverter ON/OFF** on the home screen, and send a shutdown command. Set **DC SWITCH** to **OFF**. Go to **Step 2** and check rest of the PV strings one by one. Then, go to **Step 8**.
    - If the DC side is powered on 1 minute later, the **Low insulation resistance** alarm is still reported. Log in to the app, choose **Maintenance > Inverter ON/OFF** on the home screen, and send a shutdown command. Set **DC SWITCH** to **OFF** and go to **Step 5**.
  - If no, go to **Step 5**.
- Step 5** Disconnect the possible faulty PV module and the paired optimizer from the PV string, and use a DC extension cable with an MC4 connector to connect the PV

module or optimizer adjacent to the possible faulty PV module. Set **DC SWITCH** to **ON**. If the inverter status is **Shutdown: Command**, choose **Maintenance > Inverter ON/OFF** on the home screen, and send a startup command. View alarm information.

- If no **Low insulation resistance** alarm is reported 1 minute after the DC side is powered on, the fault occurred on the disconnected PV module and optimizer. Choose **Maintenance > Inverter ON/OFF**, send a shutdown command, and set **DC SWITCH** to **OFF**. Go to [Step 7](#).
- If the **Low insulation resistance** alarm is reported 1 minute after the DC side is powered on, the fault did not occur on the disconnected PV module and optimizer. Go to [Step 6](#).

**Step 6** Log in to the app, choose **Maintenance > Inverter ON/OFF** on the home screen, and send a shutdown command. Set **DC SWITCH** to **OFF**, reconnect the disconnected PV module and optimizer, and repeat [Step 5](#) to check the PV modules and optimizers adjacent to the possible fault location.

**Step 7** Determine the position of the ground insulation fault:

- Disconnect the possible faulty PV module from the optimizer.
- Connect the possible faulty optimizer to the PV string.
- Set **DC SWITCH** to **ON**. If the inverter status is **Shutdown: Command**, choose **Maintenance > Inverter ON/OFF**, and send a startup command. View alarm information.
  - If no **Low insulation resistance** alarm is reported 1 minute after the DC side is powered on, the fault is on the possible faulty PV module.
  - If the **Low insulation resistance** alarm is reported 1 minute after the DC side is powered on, the fault is on the possible faulty optimizer.
- Log in to the app, choose **Maintenance > Inverter ON/OFF** on the home screen, and send a shutdown command. Set **DC SWITCH** to **OFF**, replace the faulty component, and complete troubleshooting the insulation resistance fault. Go to [Step 2](#) and check rest of the PV strings one by one. Then, go to [Step 8](#).

**Step 8** Set **DC SWITCH** to **ON**. If the inverter status is **Shutdown: Command**, choose **Maintenance > Inverter ON/OFF**, and send a startup command.

----End

# 9 Technical Specifications

## Efficiency

Technical Specifications	SUN2000-3K-LBO	SUN2000-3.68K-LBO	SUN2000-4K-LBO	SUN2000-4.6K-LBO	SUN2000-5K-LBO	SUN2000-6K-LBO
Maximum efficiency	97.8%	97.8%	97.8%	97.8%	97.8%	97.8%
European efficiency	96.6%	96.8%	96.8%	97.0%	97.1%	97.2%

## Input

Technical Specifications	SUN2000-3K-LBO	SUN2000-3.68K-LBO	SUN2000-4K-LBO	SUN2000-4.6K-LBO	SUN2000-5K-LBO	SUN2000-6K-LBO
Recommended maximum input DC power	4500 W	5520 W	6000 W	6900 W	7500 W	9000 W
Maximum input voltage <sup>[1]</sup>	600 V					
Maximum input current per MPPT	16 A (Subject to the product nameplate)					

Technical Specifications	SUN200 0-3K- LBO	SUN2000 -3.68K- LBO	SUN200 0-4K- LBO	SUN2000 -4.6K- LBO	SUN200 0-5K-LBO	SUN2000 -6K-LBO
Maximum short-circuit current per MPPT	20 A (Subject to the product nameplate)					
Minimum startup voltage	50 V					
MPPT voltage range	40-560 V					
Rated input voltage	360 V					
Maximum number of inputs	2					
Number of MPPT circuits	2					
Maximum battery input voltage	600 V DC					
Battery voltage range	350-580 V DC					
Maximum battery current	16.5 A					
Battery type	Li-ion					
<p>Note [1]: The maximum input voltage is the maximum DC input voltage that the inverter can withstand. If the input voltage exceeds this value, the inverter may be damaged.</p>						

## On-Grid Output

Technical Specifications	SUN2000-3K-LBO	SUN2000-3.68K-LBO	SUN2000-4K-LBO	SUN2000-4.6K-LBO	SUN2000-5K-LBO	SUN2000-6K-LBO
Rated output power	3000 W	3680 W	4000 W	4600 W	5000 W	6000 W
Maximum apparent power	3300 VA	3680 VA	4400 VA	5000 VA <sup>a</sup>	5500 VA	6600 VA
Maximum active power (cosφ = 1)	3300 W	3680 W	4400 W	5000 W	5500 W	6600 W
Rated output voltage	220 V/230 V/240 V	230 V/240 V	220 V/230 V/240 V	220 V/230 V/240 V	220 V/230 V/240 V	220 V/230 V/240 V
Maximum output voltage at long-term operation	Refer to the local power grid standards.					
Rated output current	13.6 A/220 V 13.0 A/230 V 12.5 A/240 V	16.0 A/230 V 15.3 A/240 V	18.2 A/220 V 17.4 A/230 V 16.7 A/240 V	20.9 A/220 V 20.0 A/230 V 19.1 A/240 V	22.7 A/220 V 21.7 A/230 V 21.0 A/240 V	27.3 A/220 V 26.1 A/230 V 25.0 A/240 V
Maximum output current	15.0 A	16.0 A	20.0 A	23.0 A	25.0 A	30.0 A
Output voltage frequency	50 Hz/60 Hz					
Maximum output fault current	45.18 A	55.42 A	60.24 A	69.28 A	75.3 A	90.37 A
Power factor	0.8 leading to 0.8 lagging					

Technical Specifications	SUN2000-3K-LBO	SUN2000-3.68K-LBO	SUN2000-4K-LBO	SUN2000-4.6K-LBO	SUN2000-5K-LBO	SUN2000-6K-LBO
Output DC component (DCI)	< 0.25% of the rated output					
Maximum total harmonic distortion (AC THDi)	≤ 3% (rated conditions)					
Note a: The maximum apparent power for the VDE-AR-N 4105 grid code is 4600 VA.						

### Off-Grid Output

Technical Specifications	SUN2000-3K-LBO	SUN2000-3.68K-LBO	SUN2000-4K-LBO	SUN2000-4.6K-LBO	SUN2000-5K-LBO	SUN2000-6K-LBO
Rated apparent power	3000 VA	3680 VA	4000 VA	4600 VA	5000 VA	6000 VA
Peak apparent power	110%, 10s					

### Protection

Technical Specifications	SUN2000-3K-LBO	SUN2000-3.68K-LBO	SUN2000-4K-LBO	SUN2000-4.6K-LBO	SUN2000-5K-LBO	SUN2000-6K-LBO
Overvoltage category	DC II/AC III					
Input DC switch	Supported					

Technical Specifications	SUN2000-3K-LBO	SUN2000-3.68K-LBO	SUN2000-4K-LBO	SUN2000-4.6K-LBO	SUN2000-5K-LBO	SUN2000-6K-LBO
Anti-islanding protection	Supported					
Output overcurrent protection	Supported					
Input reverse connection protection	Supported					
PV string fault detection	Supported					
DC surge protection	Supported					
AC surge protection	Supported					
Insulation resistance detection	Supported					
AFCI	Supported					
Residual current monitoring unit (RCMU)	Supported					

## Display and Communication

Technical Specifications	SUN2000-3K-LBO	SUN2000-3.68K-LBO	SUN2000-4K-LBO	SUN2000-4.6K-LBO	SUN2000-5K-LBO	SUN2000-6K-LBO
Display	LED indicators					

Technical Specifications	SUN2000-3K-LB0	SUN2000-3.68K-LB0	SUN2000-4K-LB0	SUN2000-4.6K-LB0	SUN2000-5K-LB0	SUN2000-6K-LB0
WLAN-FE Dongle	Optional					
4G Smart Dongle	Optional					
RS485 communication	Supported					
Built-in WLAN	Supported					

## General Specifications

Technical Specifications	SUN2000-3K-LB0	SUN2000-3.68K-LB0	SUN2000-4K-LB0	SUN2000-4.6K-LB0	SUN2000-5K-LB0	SUN2000-6K-LB0
Dimensions (W x H x D) (including the hanging kits)	425 mm x 376.5 mm x 150 mm					
Net weight	≤ 15 kg					
Noise	< 29 dB (typical working condition)					
Operating temperature	-25°C to +60°C					
Relative humidity	0–100% RH					
Cooling mode	Natural cooling					
Maximum operating altitude	4000 m (derated when the altitude is greater than 2000 m)					

Technical Specifications	SUN2000-3K-LB0	SUN2000-3.68K-LB0	SUN2000-4K-LB0	SUN2000-4.6K-LB0	SUN2000-5K-LB0	SUN2000-6K-LB0
Storage temperature	-40°C to +70°C					
IP rating	IP66					
Topology	Transformerless					

### Wireless Communication Specifications

Technical Specifications	Inverter Built-in WiFi
Frequency	2400–2483.5 MHz
Protocol standard	WLAN 802.11b/g/n
Bandwidth	≤20MHz
Maximum transmit power	≤ 20 dBm EIRP

# A Grid Codes

 NOTE

The grid codes are subject to change. The listed codes are for reference only.

**Table A-1** SUN2000-(3K-6K)-LB0 grid codes

No.	Grid Code	Description	SUN2000-3K-LB0	SUN2000-3.68K-LB0	SUN2000-4K-LB0	SUN2000-4.6K-LB0	SUN2000-5K-LB0	SUN2000-6K-LB0
1	RD1699/661	Spain low-voltage power grid	Supported	Supported	Supported	Supported	Supported	Supported
2	PO12.3	Spain low-voltage power grid	Supported	Supported	Supported	Supported	Supported	Supported
3	NTS	Spain power grid	Supported	Supported	Supported	Supported	Supported	Supported
4	EN50549-LV	Türkiye/ Ireland/ Norway/ Portugal / Netherlands power grid	Supported	Supported	Supported	Supported	Supported	Supported

No.	Grid Code	Description	SUN2000-3K-LBO	SUN2000-3.68K-LBO	SUN2000-4K-LBO	SUN2000-4.6K-LBO	SUN2000-5K-LBO	SUN2000-6K-LBO
5	EN50549-SE	Sweden low-voltage power grid	Supported	Supported	Supported	Supported	Supported	Supported
6	CEI0-21	Italy power grid	Supported	Supported	Supported	Supported	Supported	Supported
7	VDE-ARN-4105	Germany power grid	Supported	Supported	Supported	Supported	Not supported	Not supported
8	UTE C 15-712-1(A)	France power grid	Supported	Supported	Supported	Supported	Supported	Supported
9	UTE C 15-712-1(B)	France power grid	Supported	Supported	Supported	Supported	Supported	Supported
10	UTE C 15-712-1(C)	France power grid	Supported	Supported	Supported	Supported	Supported	Supported
11	FRANCE-EN50549-230	France FD C11-519-11	Supported	Supported	Supported	Supported	Supported	Supported
12	ANRE	Romania power grid	Supported	Supported	Supported	Supported	Supported	Supported
13	Austria	Austria power grid	Supported	Supported	Not supported	Not supported	Not supported	Not supported
14	SWITZERLAND-NA/EEA:2020-LV230	Denmark/Switzerland/Slovakia power grid	Supported	Supported	Supported	Supported	Supported	Supported
15	DENMARK-EN50549-DK1-LV230		Supported	Supported	Supported	Supported	Supported	Supported
16	DENMARK-EN50549-DK2-LV230		Supported	Supported	Supported	Supported	Supported	Supported

No.	Grid Code	Description	SUN2000-3K-LB0	SUN2000-3.68K-LB0	SUN2000-4K-LB0	SUN2000-4.6K-LB0	SUN2000-5K-LB0	SUN2000-6K-LB0
17	FINLAND-EN50549-LV230	Finland power grid	Supported	Supported	Supported	Supported	Supported	Supported
18	C10/11	Belgium / Luxembourg power grid	Supported	Supported	Supported	Supported	Supported	Supported
19	CZECH-EN50549-LV230	Czech Republic power grid	Supported	Supported	Supported	Supported	Supported	Supported
20	EN50549-PL	Poland power grid	Supported	Supported	Supported	Supported	Supported	Supported
21	ABNT NBR 16149	Brazil power grid	Supported	Supported	Supported	Supported	Supported	Supported
22	BRAZIL-P140-LV220	Brazil power grid	Supported	Supported	Supported	Supported	Supported	Supported
23	AUSTRALIA-AS4777_A-LV230	Australia power grid	Supported	Supported	Supported	Supported	Supported	Supported
24	AUSTRALIA-AS4777_B-LV230	Australia power grid	Supported	Supported	Supported	Supported	Supported	Supported
25	AUSTRALIA-AS4777_C-LV230	Australia power grid	Supported	Supported	Supported	Supported	Supported	Supported
26	AUSTRALIA-AS4777_NZ-LV230	Australia power grid	Supported	Supported	Supported	Supported	Supported	Supported
27	G99-TYPEA-LV	United Kingdom/ Jordan power grid	Supported	Supported	Supported	Supported	Supported	Supported

No.	Grid Code	Description	SUN2000-3K-LBO	SUN2000-3.68K-LBO	SUN2000-4K-LBO	SUN2000-4.6K-LBO	SUN2000-5K-LBO	SUN2000-6K-LBO
28	G98	United Kingdom/Jordan power grid	Supported	Supported	Supported	Supported	Supported	Supported
29	DUBAI	Dubai power grid	Supported	Supported	Supported	Supported	Supported	Supported
30	Oman	Oman power grid	Supported	Supported	Supported	Supported	Supported	Supported
31	TAI-PEA	Thailand grid-connection standard	Supported	Not supported	Not supported	Not supported	Supported	Not supported
32	TAI-MEA	Thailand grid-connection standard	Supported	Not supported	Not supported	Not supported	Supported	Not supported
33	HONGKONG	Hong Kong low-voltage power grid	Supported	Supported	Supported	Supported	Supported	Supported
34	SINGAPORE	Singapore low-voltage power grid	Supported	Supported	Supported	Supported	Supported	Supported
35	Philippines	Philippines low-voltage power grid	Supported	Supported	Supported	Supported	Supported	Supported

No.	Grid Code	Description	SUN2000-3K-LB0	SUN2000-3.68K-LB0	SUN2000-4K-LB0	SUN2000-4.6K-LB0	SUN2000-5K-LB0	SUN2000-6K-LB0
36	NEW CALEDONIA-LV230	New Caledonia power grid	Supported	Supported	Supported	Supported	Supported	Supported
37	NC2022	New Caledonia power grid	Supported	Supported	Supported	Supported	Supported	Supported
38	IEC 61727 - 60 Hz	Mexico power grid/ Low-voltage grid-connection (60 Hz)	Supported	Supported	Supported	Supported	Supported	Supported
39	NRS-097-2-1	South Africa power grid	Supported	Supported	Supported	Supported	Supported	Supported
40	IEC 61727	Abu Dhabi power grid/ Low-voltage grid-connection (50 Hz)	Supported	Supported	Supported	Supported	Supported	Supported
41	G98/NI-TYPEA-230	Northern Ireland G98 EREC G98/NI	Supported	Supported	Supported	Supported	Supported	Supported
42	G99/NI-TYPEA-230	Northern Ireland G99 EREC G99/NI	Supported	Supported	Supported	Supported	Supported	Supported

No.	Grid Code	Description	SUN2000-3K-LBO	SUN2000-3.68K-LBO	SUN2000-4K-LBO	SUN2000-4.6K-LBO	SUN2000-5K-LBO	SUN2000-6K-LBO
43	IRELAND-EN50549-LV230	Ireland power grid	Supported	Supported	Supported	Supported	Supported	Supported
44	SWITZERLAND-LV230	Switzerland	Supported	Supported	Supported	Supported	Supported	Supported
45	Island-Grid	Off-grid	Supported	Supported	Supported	Supported	Supported	Supported
46	NB/T 32004	China Golden Sun low-voltage power grid	Not supported	Not supported	Not supported	Not supported	Supported	Supported
47	Custom (50 Hz)	Reserved	Supported	Supported	Supported	Supported	Supported	Supported
48	Custom (60 Hz)	Reserved	Supported	Supported	Supported	Supported	Supported	Supported

# B Baud Rate Negotiation

Baud rate negotiation increases the communications rate between the inverter and devices such as batteries and power meters, and between the inverter and devices such as the Smart Dongles and the SmartAssistant, solving or relieving communication congestion.

- During device search in a new plant, the system automatically negotiates the baud rate.
- When replacing or adding inverters, batteries, power meters, the Smart Dongle, or the SmartAssistant at an existing plant, you need to manually send local commands on the app to reset the baud rate between devices and negotiate a higher rate.

 **NOTE**

Users can send the baud rate negotiation commands on the app in three networking modes: Inverter connected to the NMS directly, SmartAssistant networking and Smart Dongle networking.

**Table B-1** Manual baud rate negotiation on the app

Networking Mode	Scenario	Operation
Inverter connected to the NMS directly	Replacing the inverter	1. Use the app to locally scan the QR code to connect to the inverter. 2. Access the <b>Communication configuration</b> screen, choose <b>RS485 &gt; RS485_2 &gt; Baud Rate Negotiation</b> , and tap <b>9600</b> and <b>Negotiate a higher rate</b> .
	Replacing or adding an RS485_2 device (such as a battery or power meter)	

Networking Mode	Scenario	Operation
SmartAssistant networking	Replacing the SmartAssistant	<ol style="list-style-type: none"> <li>1. Use the app to locally scan the QR code to connect to the SmartAssistant.</li> <li>2. Access the <b>Communication settings</b> screen, choose <b>RS485 Settings &gt; Baud Rate Negotiation</b>, and tap <b>9600</b> and <b>Negotiate a higher rate</b>.</li> </ol>
	Replacing or adding an inverter	<ol style="list-style-type: none"> <li>1. Use the app to locally scan the QR code to connect to the SmartAssistant.</li> <li>2. Access the <b>Communication settings</b> screen, choose <b>RS485 Settings &gt; Baud Rate Negotiation</b>, and tap <b>9600</b> and <b>Negotiate a higher rate</b>.</li> <li>3. Use the app to locally scan the QR code to connect to the inverter.</li> <li>4. Access the <b>Communication configuration</b> screen, choose <b>RS485 &gt; RS485_2 &gt; Baud Rate Negotiation</b>, and tap <b>9600</b> and <b>Negotiate a higher rate</b>.</li> </ol>
	Replacing or adding an RS485_2 device (such as a battery or power meter)	<ol style="list-style-type: none"> <li>1. Use the app to locally scan the QR code to connect to the inverter.</li> <li>2. Access the <b>Communication configuration</b> screen, choose <b>RS485 &gt; RS485_2 &gt; Baud Rate Negotiation</b>, and tap <b>9600</b> and <b>Negotiate a higher rate</b>.</li> </ol>
Smart Dongle networking	Replacing the Smart Dongle	<ol style="list-style-type: none"> <li>1. Use the app to locally scan the QR code to connect to the inverter.</li> <li>2. Access the <b>Communication configuration</b> screen, choose <b>RS485 &gt; RS485_1 &gt; Baud Rate Negotiation</b>, and tap <b>9600</b> and <b>Negotiate a higher rate</b>.</li> </ol>

Networking Mode	Scenario	Operation
	Replacing or adding an inverter	<ol style="list-style-type: none"> <li>1. Use the app to locally scan the QR code to connect to the inverter.</li> <li>2. Access the <b>Communication configuration</b> screen, choose <b>RS485 &gt; RS485_1 &gt; Baud Rate Negotiation</b>, and tap <b>9600</b> and <b>Negotiate a higher rate</b>.</li> <li>3. Access the <b>Communication configuration</b> screen, choose <b>RS485 &gt; RS485_2 &gt; Baud Rate Negotiation</b>, and tap <b>9600</b> and <b>Negotiate a higher rate</b>.</li> </ol>
	Replacing or adding an RS485_2 device (such as a battery or power meter)	<ol style="list-style-type: none"> <li>1. Use the app to locally scan the QR code to connect to the inverter.</li> <li>2. Access the <b>Communication configuration</b> screen, choose <b>RS485 &gt; RS485_2 &gt; Baud Rate Negotiation</b>, and tap <b>9600</b> and <b>Negotiate a higher rate</b>.</li> </ol>

## Troubleshooting





If manual baud rate negotiation fails, refer to the following troubleshooting measures.

**Table B-2** Troubleshooting measures

Scenario	Troubleshooting
Negotiation failed	<ol style="list-style-type: none"> <li>1. Check whether the device cables are connected properly. If no, connect the device cables correctly.</li> <li>2. Check whether service operations such as upgrade and log export are performed on the management system. If yes, perform baud rate negotiation again after such operations are complete.</li> <li>3. To replace an RS485_2 device (such as a battery or power meter), choose <b>Maintenance &gt; Subdevice management</b> on the home screen, touch and hold the replaced RS485_2 device to delete it.</li> <li>4. Perform baud rate negotiation again.</li> <li>5. When replacing or adding an inverter or an RS485_2 device (such as a battery or power meter), if you tap <b>Negotiate a higher rate</b> and a message "Negotiation failed. The southbound device does not support the rate." is displayed, it indicates that the device does not support baud rate negotiation. In this case, you only need to tap <b>9600</b>.</li> <li>6. If the fault persists, contact your vendor.</li> </ol>

# C Resetting Password

---

- Step 1** Check that the AC and DC sides of the inverter are both powered on, and indicators  and  are steady green or blinking slowly for more than 3 minutes.
- Step 2** Complete the following operations within 4 minutes:
- Turn off the AC switch and set **DC SWITCH** to **OFF** at the bottom of the inverter. If the inverter is connected to a battery, turn off the battery switch. Wait until all LED indicators on the inverter panel turn off.
- Turn on the AC switch and set **DC SWITCH** to **ON**. Wait about 90s and check that indicator  is blinking green slowly.
- Turn off the AC switch and set **DC SWITCH** to **OFF**. Wait until all LED indicators on the inverter panel turn off.
- Turn on the AC switch and set **DC SWITCH** to **ON**. Wait until all LED indicators on the inverter panel blink and then turn off after 30s.
- Step 3** Reset the password within 10 minutes. (If no operation is performed within 10 minutes, all parameters of the inverter remain unchanged.)
1. Wait until indicator  blinks green slowly.
  2. Connect to the app using the initial WLAN hotspot name (SSID) and initial password (PSW), which can be obtained from the label on the side of the inverter.
  3. On the login screen, set a new password and log in to the app.
- Step 4** Set router and management system parameters to implement remote management.
- End

# D Rapid Shutdown

---

If optimizers are configured for all PV modules, the PV system can perform a rapid shutdown to decrease the output voltage to below 30 V within 30s.

## NOTE

- If method 2 is selected for rapid shutdown, log in to the app as an **installer** user to perform local commissioning, choose **Settings > Feature parameters > Dry contact function**, and set **Dry contact function** to **DI rapid shutdown**.
- The rapid shutdown function is supported only when optimizers are configured for all PV modules.

Perform the following steps to trigger a rapid shutdown:

- Method 1: Turn off the AC switch between the inverter and the power grid (disconnect the voltages of all PV strings connected to the inverter under the AC switch).
- Method 2: Set the **DC SWITCH** of the inverter to **OFF** to trigger a rapid shutdown. (Turning off all external switches on the DC side of an inverter can trigger a rapid shutdown, and only the PV strings connected to the inverter are de-energized. Turning off only some external switches cannot trigger a rapid shutdown, and the PV strings may be energized.)
- Method 3: To enable the DI rapid shutdown function, connect a switch to pins DI and GND of the inverter communications terminal. The switch is turned on by default. Turn off the switch to trigger a rapid shutdown. The distance between the switch and the farthest inverter must be less than or equal to 10 m.
- Method 4: If **AFCI** is enabled, the inverter automatically performs arc fault detection and triggers a rapid shutdown when AFCI lock protection is implemented.

# E System Shutdown via DI

---

## Function

If the **Shut down system via DI** function is enabled, the inverter works properly when the switch is on and can be shut down within 5 seconds after the switch is turned off.

## Procedure

- Step 1** Connect pins 5 and 7 of the inverter communications terminal to the switch.
  - Step 2** Choose **Settings > Feature parameters > Dry contact function** and set **Dry contact function** to **Shut down system via DI**.
- End

# F Contact Information

---

If you have any questions about this product, please contact us.



<https://digitalpower.huawei.com>

Path: **About Us > Contact Us > Service Hotlines**

To ensure faster and better services, we kindly request your assistance in providing the following information:

- Model
- Serial number (SN)
- Software version
- Alarm ID or name
- Brief description of the fault symptom

 **NOTE**

EU Representative Information: Huawei Technologies Hungary Kft.  
Add.: HU-1133 Budapest, Váci út 116-118., 1. Building, 6. floor.  
Email: hungary.reception@huawei.com

# **G** Digital Power Customer Service

---



<https://digitalpower.huawei.com/robotchat/>

# H Certificate Management and Maintenance

---

## H.1 Initial Certificate Risk Disclaimer

Huawei's initial certificates are mandatory identity credentials for Huawei devices before delivery. The disclaimer statements for using the certificates are as follows:

1. Initial Huawei-issued certificates are used only in the deployment phase, for establishing initial security channels between devices and the customer's network. Huawei does not promise or guarantee the security of initial certificates.
2. The customer shall bear consequences of all security risks and security incidents involved in using initial Huawei-issued certificates as service certificates.
3. An initial Huawei-issued certificate is valid until 2041 starting from the manufacturing date.
4. Services using an initial Huawei-issued certificate will be interrupted when the certificate expires.
5. It is recommended that customers deploy a PKI system to issue certificates for devices and software on the live network and manage the lifecycle of the certificates. To ensure security, certificates with short validity periods are recommended.

### NOTE

You can view the validity period of an initial certificate on the network management system.

## H.2 Application Scenarios of initial Certificates

File Path and Name	Scenario	Replacement
f:/sun_ca.crt	Authenticates the validity of the peer mobile app for communication through Modbus TCP.	For details about how to replace a certificate, contact technical support engineers to obtain the corresponding security maintenance manual. Certificates for communication between the Company's products can be replaced.
f:/sun_tomcat_client.crt		
f:/sun_tomcat_client.key		

---

# Acronyms and Abbreviations

---

<b>A</b>	
<b>AC</b>	alternating current
<b>D</b>	
<b>DC</b>	direct current
<b>F</b>	
<b>FRT</b>	fault ride through
<b>H</b>	
<b>HVRT</b>	high voltage ride-through
<b>I</b>	
<b>ID</b>	identifier
<b>L</b>	
<b>LED</b>	light emitting diode
<b>M</b>	
<b>MAC</b>	Media Access Control
<b>MPPT</b>	maximum power point tracking
<b>P</b>	
<b>PE</b>	protective earthing
<b>PV</b>	photovoltaic

<b>R</b>	
<b>RCMU</b>	residual current monitoring unit
<b>RH</b>	relative humidity
<b>S</b>	
<b>SN</b>	serial number