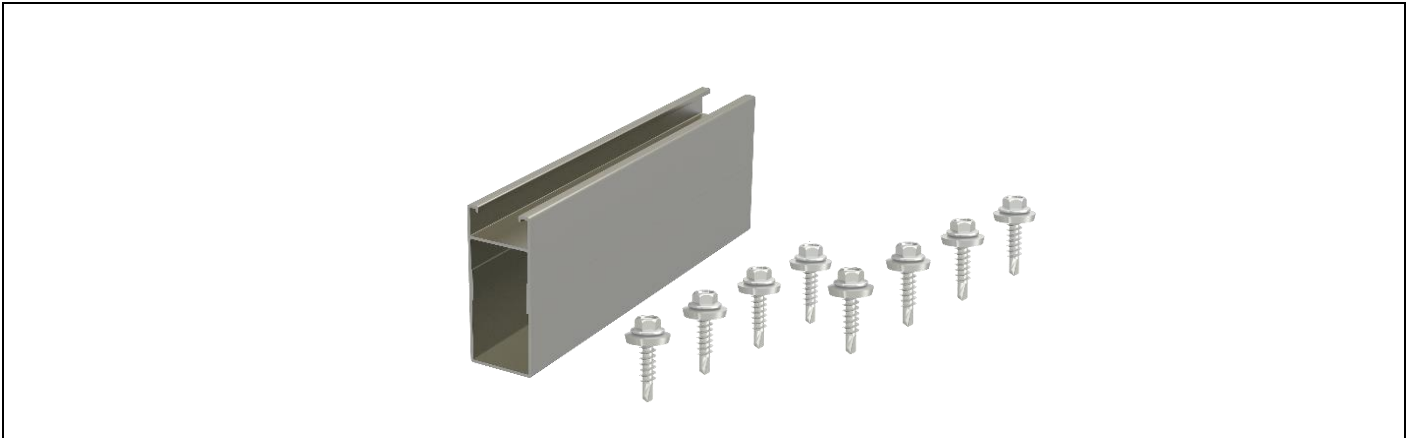


Splice for T-110 Rail

Assembly

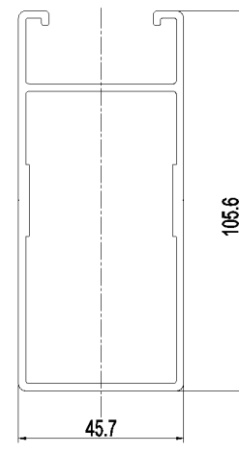


Component



Splice for T-110 Rail
Part No.: ER-SP-T110

Technical Specification

Application	Splice for T-110 Rail	
Screw Specification	8 x Self-Tapping Screws ST6.3*22	
Dimensions	L300mm*W45.7mm*H105.6mm	
Weight	0.593 kg	
Packaging	20 units per carton	
Material	Main parts: AL6005-T5 Screws: SUS 304	
Color	Silver	
Finish	Anodized (no less than 10 μm, excluding machined surfaces)	
Standard	GB50797 AS NZS1170.2-2011 EN1991 JISC8955 ASCE 7-10	