



AXIhycon ONE Energy Storage System

User Manual

(AXIhycon ONE-8H/10H/12H/15H -10/15/20/25/30/35)

Information Version: 1.0

Legal Information

Copyright©2025 Axitec Energy GmbH & Co. KG All rights reserved.

Any reproduction or distribution of this manual or any part of this manual, or any uploading of this manual to a third-party website, in any form by any means, without the prior written consent of Axitec Energy GmbH & Co. KG, is prohibited.

Disclaimer

The manual contains instructions for the use of the product. All the pictures and charts in this manual are for description and explanation only. Axitec Energy GmbH & Co. KG reserves the right to change the information in the manual which is subject to change without further notice.

Please read this manual carefully before using the product and keep this manual for further reference. Failure to use the product in accordance with the manual may result in serious injuries, property damages and may void the warranty, for which Axitec Energy GmbH & Co. KG shall not be liable.

Axitec Energy GmbH & Co. KG makes no representations or warranties express or implied, with respect to all the information in this manual.

In the event of any conflicts between this manual and the applicable law, the latter prevails.

The final interpretation of this manual belongs to Axitec Energy GmbH & Co. KG.

Contents

Legal Information	I
Contents	II
1 Information about this Manual	1
1.1 Purpose.....	1
1.2 Explanation of Symbols	1
2 Safety	2
2.1 Label Description	2
2.2 Personal Requirements	3
2.3 General Safety	3
3 System Introduction	6
3.1 System Overview	6
3.1.1 Brief Introduction.....	6
3.1.2 Product Model.....	6
3.1.3 Applicable Grid Type.....	6
3.2 Component Description.....	7
3.2.1 Power Controller	7
3.2.2 Battery Module.....	10
4 Installation	11
4.1 Checking Before the Installation.....	11
4.2 Preparing Tools and Instruments.....	13
4.3 Selecting the Installation Sites	14
4.3.1 Working Environment Requirements.....	14
4.3.2 Installation Space Requirements	15
4.3.3 Installation Foundation Requirements.....	15
4.4 System Installation	16
4.4.1 Mounting the Battery Base	16
4.4.2 Installing the Battery Module onto the Base.....	17
4.4.3 Installing the Power Controller onto the Battery Module.....	18
4.4.4 Installing the Metal Brackets for the System	20
4.4.5 Installing the Anti-Toppling Brackets for the System	23

5	Cable Connection.....	26
5.1	Safety Instructions.....	26
5.2	Preparing Cables.....	27
5.3	System Diagram.....	28
5.3.1	Electrical Wiring Diagram.....	28
5.3.2	Standard Wiring Diagram.....	28
5.4	Grounding Connection.....	29
5.5	AC Connector Assembly and Connection.....	31
5.5.1	AC Connector Type A Assembly and Connection.....	31
5.5.2	AC Connector Type B Assembly and Connection.....	34
5.5.3	AC Switch Types.....	36
5.6	PV Connector Assembly and Connection.....	37
5.6.1	PV Connector Assembly.....	37
5.6.2	PV Connector Connection.....	38
5.7	EPO Connection.....	39
5.8	Heat Pump Connection.....	40
5.9	CT Connection.....	41
5.10	DRM (Only DRM0 is Available).....	42
5.11	Communication Connector Assembly and Connection.....	43
5.11.1	Communication Connector Assembly.....	43
5.11.2	Communication Connector Connection.....	47
6	Commissioning.....	48
6.1	System Turning On.....	48
6.2	Energy Management.....	50
6.2.1	WI-FI Information.....	50
6.2.2	App Download.....	51
6.2.3	Working Mode.....	52
6.2.4	Commissioning.....	53
6.2.5	Charge/Discharge Time Control.....	54
6.3	LED Introduction and Debug.....	56
7	Maintenance.....	59
7.1	System Turning Off.....	59
7.2	System Maintenance.....	61






7.3	Troubleshooting.....	62
7.4	Replacement of Main Components among the BESS.....	66
7.4.1	Replacement of Battery Module.....	66
7.4.2	Replacement of Power Controller.....	69
8	Expansion Services	70
9	Shipment and Storage.....	71
9.1	Shipment.....	71
9.2	Storage	71
10	Warranty Services and Repair	72
11	Disposal	73
12	Technical Specifications	74
12.1	System Specifications.....	74
12.2	Battery Specifications.....	78

1 Information about this Manual

1.1 Purpose

This manual describes the AXIhycon ONE energy storage system from AXITEC in terms of its overview, installation, commissioning, maintenance, etc. Please read this manual before installing the battery and follow the instructions carefully during installation. In case of any confusion, please contact AXITEC immediately for advice and clarification (Contact information can be found on the back cover of the manual).

1.2 Explanation of Symbols

Symbol	Description
 DANGER	Danger: Indicates a hazard with a high level of risk which, if not avoided, will result in death or serious injury.
 WARNING	Warning: Indicates a hazard with a medium level of risk which, if not avoided, could result in death or serious injury.
 CAUTION	Caution: Indicates a hazard with a low level of risk which, if not avoided, could result in minor or moderate injury.
 NOTICE	Notice: Indicates a potentially hazardous situation which, if not avoided, could result in equipment damage, data loss, performance deterioration, or unanticipated results. NOTICE is used to address practices not related to personal injury.
 NOTE	Note: Indicates additional information, emphasized contents, or important points helping you use the product better.

2 Safety

2.1 Label Description

Icon	Meaning	Icon	Meaning
	Read the manual before installing and operating the product.		Do not connect the positive and negative reversely.
	General warning label indicating potential hazards.		Keep away from flame or ignition sources.
	Warning: electric shock.		Keep away from children.
	Warning: flammable materials.		Label for Waste Electrical and Electronic Equipment (WEEE) Directive (2012/19/EU).
	Warning: Do not touch the enclosure of the operating product.		The system meets the requirements of the applicable EU directives.
	Recycle label.		The certificate label for Safety by TÜV SÜD.
	Do not touch any inner live parts until 5 minutes after disconnection from all external power supplies!		

2.2 Personal Requirements

Qualified personnel must have the following skills:

- Training in the installation and commissioning of the electrical system, as well as the dealing with hazards.
- Knowledge of the manual and other related documents.
- Knowledge of the local regulations and directives.

2.3 General Safety

Declaration

This system is only operated by authorized personnel. Read all safety instructions carefully prior to any work and follow these instructions at all times when working with the system.

Incorrect operation or work may cause:

- Injury or death to the operator or a third party.
- Damage to the system hardware and other properties belonging to the operator or a third party.

General Requirements

DANGER

Danger: Batteries deliver electric power, resulting in burns or a fire hazard when short circuit or incorrect installment occurs.

DANGER

Danger: Lethal voltages are present in the battery terminals and cables. Severe injuries or death may occur if you touch the cables and terminals.

WARNING

Warning: Do not open or deform the battery module, otherwise the product will be out of warranty scope.

WARNING

Warning: Whenever operating the battery system, wear suitable personal protective equipment (PPE) such as rubber gloves, rubber boots and goggles.

 **WARNING**

Warning: For battery installation, the installer shall refer to local installation standard for operation.

 **WARNING**

Warning: Pulling out the connectors while the system is working could lead to battery system damage or personal injury. Do not pull out the connectors while system is in operation.

 **CAUTION**

Caution: Improper settings or maintenance can permanently damage the battery.

 **CAUTION**

Caution: Battery needs to be recharged in a timely manner, after fully discharged.

 **WARNING**

Warning: To reduce the risk of fire, over-current protective devices (OCPD) are required for circuits connected to the AXIhycon ONE system. The DC OCPD shall be installed per local requirements. All photovoltaic source and output circuit conductors shall have isolators that comply with the NEC Article 690, Part II.

 **CAUTION**

Caution: Risk of electric shock, do not remove cover. There is no user serviceable parts inside, refer servicing to qualified and accredited service technicians

 **CAUTION**

Caution: The PV array supplies a DC voltage when they are exposed to sunlight.

 **CAUTION**

Caution: The surface temperature of the inverter can reach up to 60 °C. To avoid risk of burns, do not touch the surface of the AXIhycon ONE system while it's operating. Inverter must be installed out of the reach of children.

 **CAUTION**

Caution: PV module used with AXIhycon ONE system must have an IEC 61730 Class A rating.

 **WARNING**

Warning: Operations below must be accomplished by licensed technician or AXITEC authorized person.

 **WARNING**

Warning: The BACK-UP terminal of AXIhycon ONE system is not allowed to connect to the grid.

 **WARNING**

Warning: No user-serviceable parts inside. Internal maintenance is not authorized; servicing must be performed only by a AXITEC -authorized representative.

3 System Introduction

3.1 System Overview

3.1.1 Brief Introduction

The AXIhycon ONE product is designed with advanced modular design concept. It integrates photovoltaic, inverter, energy storage as a whole, without an additional switch box, junction box, and other equipment. The all-in-one power controller is directly connected to the stacked battery modules to form complete light storage integrated system solutions for customers, which provides the greatest choice for the application of the energy storage system and the convenience of installation.

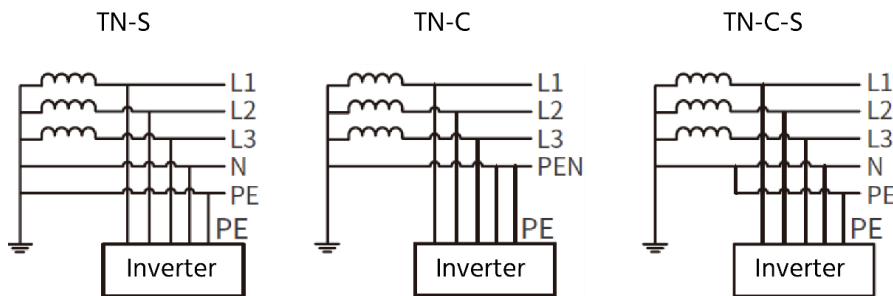
3.1.2 Product Model

Model Identifier

The following are the system model naming rules, taking AXIhycon ONE-8H as an example:

3.1.3 Applicable Grid Type

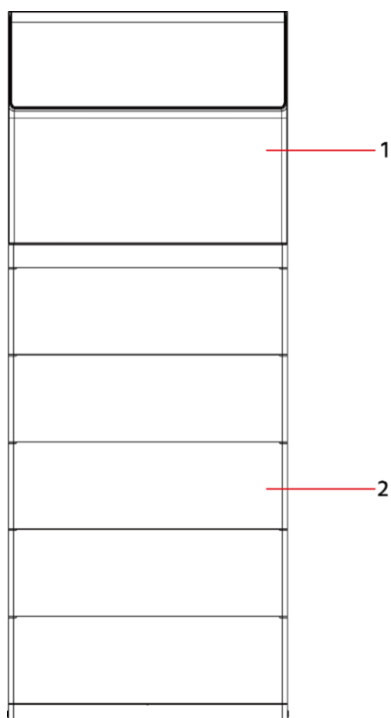
The applicable grid types of the AXIhycon ONE series are TN-S, TN-C, TN-C-S.



For different countries or areas, the color of L, N, PE may be different.

L	N	PE
Red/black/brown	Blue	Green & yellow

3.2 Component Description

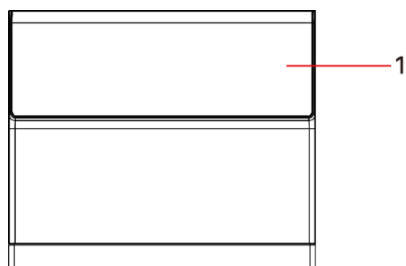


NOTE: The quantity of the battery modules is based on your practical system.

No.	Name	Description
1	Power controller	(>>> see <i>Section 3.2.1 Power Controller</i>)
2	Battery module	(>>> see <i>Section 3.2.2 Battery Module</i>)

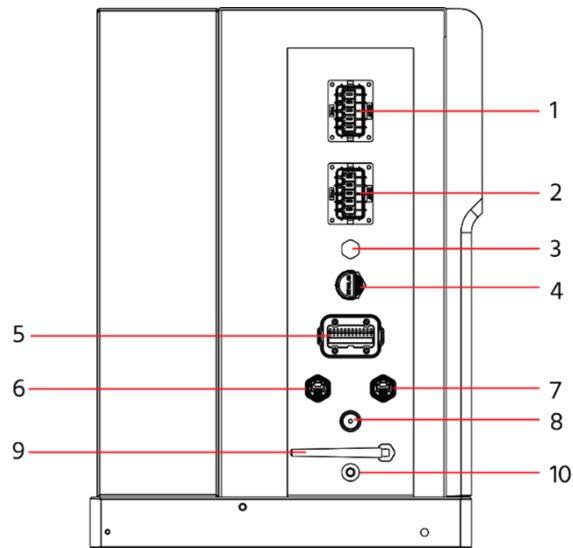
3.2.1 Power Controller

Front View



No.	Name	Description
1	LED Display	(>>> see <i>Section 6.3 LED Introduction and Debug</i>)

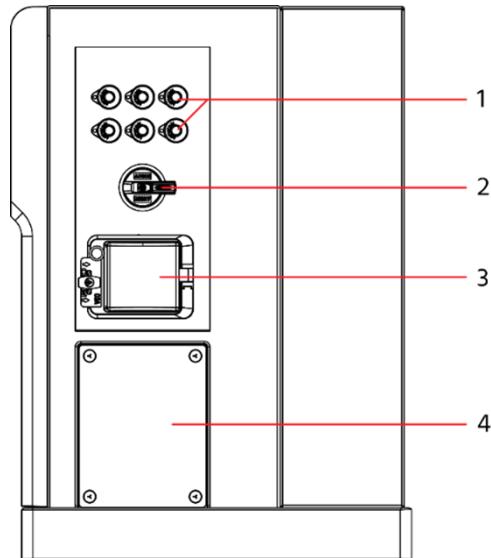
Left side view



No.	Name	Description										
1	AC GRID terminal	AC terminal for connection to the utility grid										
2	BACK-UP terminal	AC terminal for Backup loads										
3	Ventilation valve	-										
4	CONTROL	<p>Connector for relay control of parallel connection and external heat pump on/off Rated voltage: 230V; Rated current: 3A Heat pump signal cable:</p> <table border="1"> <tbody> <tr> <td>PIN1</td> <td>PUMP+</td> <td rowspan="2">Control heat pump start-up</td> </tr> <tr> <td>PIN2</td> <td>PUMP-</td> </tr> <tr> <td>PIN3</td> <td>Outrelay+</td> <td rowspan="2">Control EPS switchover</td> </tr> <tr> <td>PIN4</td> <td>Outrelay-</td> </tr> </tbody> </table>	PIN1	PUMP+	Control heat pump start-up	PIN2	PUMP-	PIN3	Outrelay+	Control EPS switchover	PIN4	Outrelay-
PIN1	PUMP+	Control heat pump start-up										
PIN2	PUMP-											
PIN3	Outrelay+	Control EPS switchover										
PIN4	Outrelay-											
5	COM terminal	<p>Connector for meter/CT, or other equipment, or parallel interface For details of the terminal pins, see <i>Section 5.11.1</i> Communication Connector Assembly.</p>										
6	EMS	Connector for EMS communication and commissioning										
7	LAN terminal	Connector for network										
8	START	<p>1. Black-start: Short press the button for 1 second to switch on the system via the battery. 2. Light on: When the system is switched on, long press for 2-3 seconds can light up the screen.</p>										

No.	Name	Description
9	WIFI	WiFi antenna
10	Ground point	Connector for grounding cable.

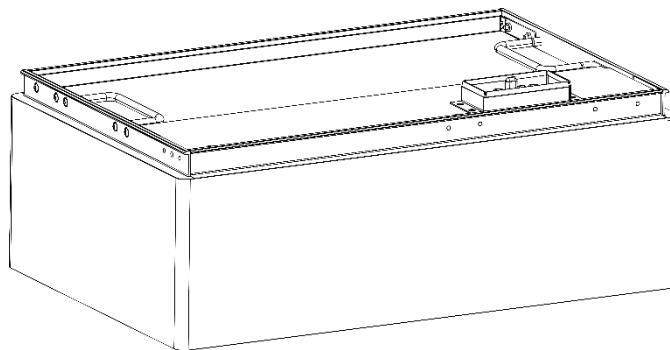
Right side view



No.	Name	Description																					
1	PV terminals	Positive and negative DC input connectors Can be removed by the PV Terminal Removal Tool (see in the packing list >>> see Section 4.1 Checking Before the Installation).																					
2	PV SWITCH	Isolating switch for PV It is recommended to additionally lock the switch for maintenance shutdowns. PV switch specifications: <table border="1" data-bbox="641 1527 1406 2004"> <thead> <tr> <th>No</th> <th>Parameters</th> <th>Value</th> </tr> </thead> <tbody> <tr> <td>1</td> <td>Rated insulation voltage</td> <td>1.5kV</td> </tr> <tr> <td>2</td> <td>Rated impulse withstand voltage</td> <td>8KV</td> </tr> <tr> <td>3</td> <td>Suitability for isolation</td> <td>Yes</td> </tr> <tr> <td>4</td> <td>Rated operational current</td> <td>32A</td> </tr> <tr> <td>5</td> <td>Utilization category and/or PV utilization category</td> <td>DC-PV2</td> </tr> <tr> <td>6</td> <td>Rated short-time withstand current (Icw)</td> <td>1.5KA (1S)</td> </tr> </tbody> </table>	No	Parameters	Value	1	Rated insulation voltage	1.5kV	2	Rated impulse withstand voltage	8KV	3	Suitability for isolation	Yes	4	Rated operational current	32A	5	Utilization category and/or PV utilization category	DC-PV2	6	Rated short-time withstand current (Icw)	1.5KA (1S)
No	Parameters	Value																					
1	Rated insulation voltage	1.5kV																					
2	Rated impulse withstand voltage	8KV																					
3	Suitability for isolation	Yes																					
4	Rated operational current	32A																					
5	Utilization category and/or PV utilization category	DC-PV2																					
6	Rated short-time withstand current (Icw)	1.5KA (1S)																					

No.	Name	Description																		
		<table border="1"> <tr> <td>7</td> <td>Rated short-circuit making capacity (Icm)</td> <td>2KA</td> </tr> <tr> <td>8</td> <td>Rated breaking capacity</td> <td>8KA</td> </tr> </table>	7	Rated short-circuit making capacity (Icm)	2KA	8	Rated breaking capacity	8KA												
7	Rated short-circuit making capacity (Icm)	2KA																		
8	Rated breaking capacity	8KA																		
3	BAT SWITCH	<p>Battery switch for battery connection</p> <p>It is recommended to additionally lock the switch to prevent accidental contact by personnel.</p> <p>Bat switch specifications:</p> <table border="1"> <thead> <tr> <th>No</th> <th>Parameters</th> <th>Value</th> </tr> </thead> <tbody> <tr> <td>1</td> <td>Rated insulation voltage</td> <td>1200V</td> </tr> <tr> <td>2</td> <td>Rated impulse withstand voltage</td> <td>6KV</td> </tr> <tr> <td>3</td> <td>Suitability for isolation</td> <td>Yes</td> </tr> <tr> <td>4</td> <td>Rated operational current</td> <td>63A</td> </tr> <tr> <td>5</td> <td>Rated breaking capacity</td> <td>6KA</td> </tr> </tbody> </table>	No	Parameters	Value	1	Rated insulation voltage	1200V	2	Rated impulse withstand voltage	6KV	3	Suitability for isolation	Yes	4	Rated operational current	63A	5	Rated breaking capacity	6KA
No	Parameters	Value																		
1	Rated insulation voltage	1200V																		
2	Rated impulse withstand voltage	6KV																		
3	Suitability for isolation	Yes																		
4	Rated operational current	63A																		
5	Rated breaking capacity	6KA																		
4	FUSE CASE	Battery main circuit fuse(ASTN A226010-80A)																		

3.2.2 Battery Module



The AXIstorage Li SV 3 Energypack, which first appeared in the release of another AXITEC battery system AXIstorage Li SV 3 BMS. The AXIhycon ONE energy storage system is upgraded based on the AXIstorage Li SV 3 system, sharing one battery module, which is a key feature of the AXIhycon ONE energy storage system. A single battery module is rated at 102.4V/50Ah, and multiple battery modules are stacked and used in series.

4 Installation

4.1 Checking Before the Installation

Checking the Outer Packing and Deliverables

- After receiving the product, check the outer packing for damage, such as holes, cracks, deformation and so on. If any damage is found, contact the local retailer as soon as possible.
- After unpacking the product, check that the deliverables are complete. If any item is missing or damaged, contact the local retailer as soon as possible.

Packing List

Box 1-Power Controller

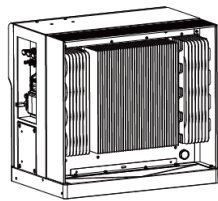
Item	Name	Specification	Set
A	Power Controller	/	1
B	Base	/	1
C	Anti-toppling bracket	86*70*22	2
D	Lifting Handle	M8*113	2
E	Footrest	/	4
F	2 Battery metal bracket left	403.3*25.7*25.7	2
	2 Battery metal bracket right	403.3*25.7*25.7	2
	3 Battery metal bracket left	571.5*25.7*25.7	1
	3 Battery metal bracket right	571.5*25.7*25.7	1
G	Multi-function Terminal	90*60.2*Diameter 48	1
H	CT	/	3
I	AC Back-up Connector Type A or AC Back-up Connector Type B	/	1
J	AC Grid Connector Type A or AC Grid Connector Type B	/	1
K	PV Connector Negative	58*Diameter 21.7	3
L	PV Connector Positive	59.5*Diameter 21.7	3
M	Heat Pump Connector	48*Diameter 20.5	1
N	RJ45 Connector	43.9*Diameter 29.2	2
O	Meter	/	1
P	Documents	Quick Installation Instructions and Warranty Card	2
Q	Ground Screws	M6*16	1
R	Screws	M4*8	18
S	Expansion bolts	M8*60	6
T	Step Screws	M4*22	2

U	PV Terminal Removing Tool	/	1
---	---------------------------	---	---

Box 2-Battery Module

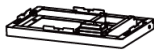
Item	Name	Specification	Set
V	Battery Module	/	1
W	Document	Warranty Card	1

Box 1-Power Controller



A

Power Controller
× 1



B

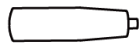
Base

× 1



C

Anti-toppling
Bracket
× 2



D

Lifting
Handle
× 2



E

Footrest
× 4



F

Metal
Bracket
× 6



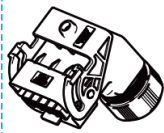
G

Multi-function
Terminal
× 1



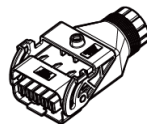
H

CT
× 3



Type A

or



Type B

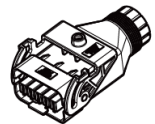
I

AC Back-up Connector
× 1



Type A

or

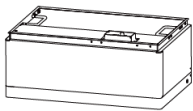


Type B

I

AC Grid Connector
× 1

Box 2-Battery Module



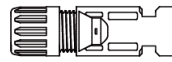
V

Battery Module
× 1



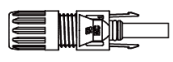
W

Document
× 1



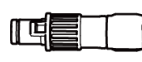
K

PV Connector
Negative
× 3



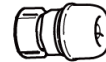
L

PV Connector
Positive
× 3



M

Heat Pump
Connector
× 1



N

RJ45
Connector
× 2



O

Meter
× 1



P

Documents
× 2



Q

Ground Screw
M6× 16
× 1



R

Screw
M4× 8
× 18



S

Expansion
Bolt M8
× 6



T

Step Screw
M4 × 22
× 2

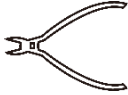
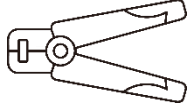
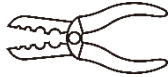
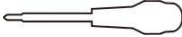
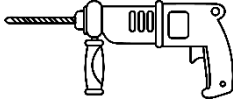
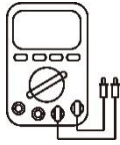


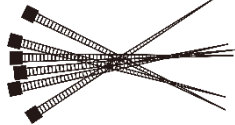






U

PV Terminal
Removing Tool
× 1

4.2 Preparing Tools and Instruments

Tools and Instruments

Type	Tools and Instruments		
Installation			
	Wire Cutter	Crimping Plier	Wire Stripper
			
	Screwdriver	Hammer Drill	1000VDC Multimeter
			
	Adjustable Wrench	Socket Wrench Set	Cable Ties
Personal protective equipment (PPE)			
	Insulated Gloves	Safety Goggles	Safety Shoes
			
	Anti-arc Flash Suit		

NOTE: Use properly insulated tools to prevent accidental electric shock or short circuits. If insulated tools are not available, cover the entire exposed metal surfaces with available insulated alternatives, except their tips, with electrical tape.

4.3 Selecting the Installation Sites

4.3.1 Working Environment Requirements

Cleaning

 **DANGER**

Danger: Before installation and system power on, the dust and iron scurf must be removed to keep a clean environment. The system cannot be installed in desert area without an enclosure to prevent from sand

 **DANGER**

Danger: Battery module has active DC power at terminals all the time. Be careful to handle the modules.

 **CAUTION**

Caution: The IP rating of the system is IP65. But please avoid frost or direct sunlight. Out of the working temperature range will cause the battery system high / low temperature alarm or protection which will further lead to the cycle life reduction. According to the environment requirements, a cooling system or heating system should be installed when necessary.

Fire-extinguisher System

 **DANGER**

Danger: The fire-extinguisher system must be equipped for safety purpose. The fire system needs to be checked regularly to ensure a normal working status. Regarding to the using and maintenance requirements, please follow local fire equipment guidance.

AXIhycon ONE is not equipped with a fire alarm system, please prepare a sound-light alarm in the system installation area. Minimum loudness of 85 dB(A) in accordance with DIN EN 14604, measured at a distance of 3 m, but not more than 110 dB(A). The frequency is limited to a maximum of 3.5 kHz.

Grounding System

 **DANGER**

Danger: Before the system installation, ensure that the grounding point of the base is stable and reliable. If the system is installed in an independent equipment cabin (e.g., container), the cabinet must also be properly grounded.

The protective earth connection shall ensure reliable continuity.

Clearance

Minimum clearance to heat source shall be more than 2 meters.

Minimum clearance to the walls shall be more than 0.04 meters.

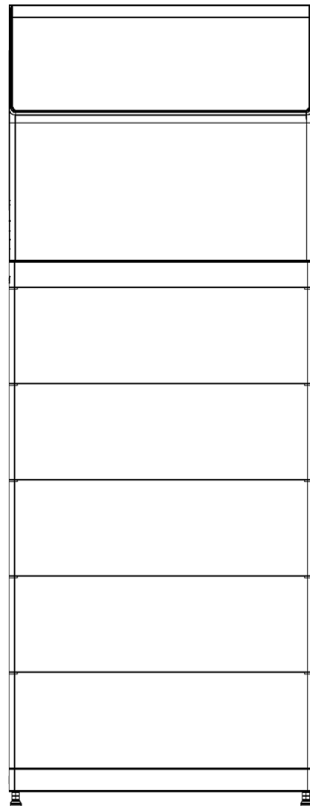
Minimum clearance between battery strings shall be more than 0.3 meters.

4.3.2 Installation Space Requirements

WARNING

Warning: AXIhycon ONE system must not be immersed in water.

The AXIhycon ONE system can be installed indoors or outdoors. The AXIhycon ONE system must not be immersed in water. The battery base cannot be exposed to rain or other water sources.



4.3.3 Installation Foundation Requirements

The support surface should have sufficient load-bearing capacity to support a minimum weight of 300 kg.

The system must be installed on a fixed and flat support surface. It is recommended that the system be installed on a cement surface.

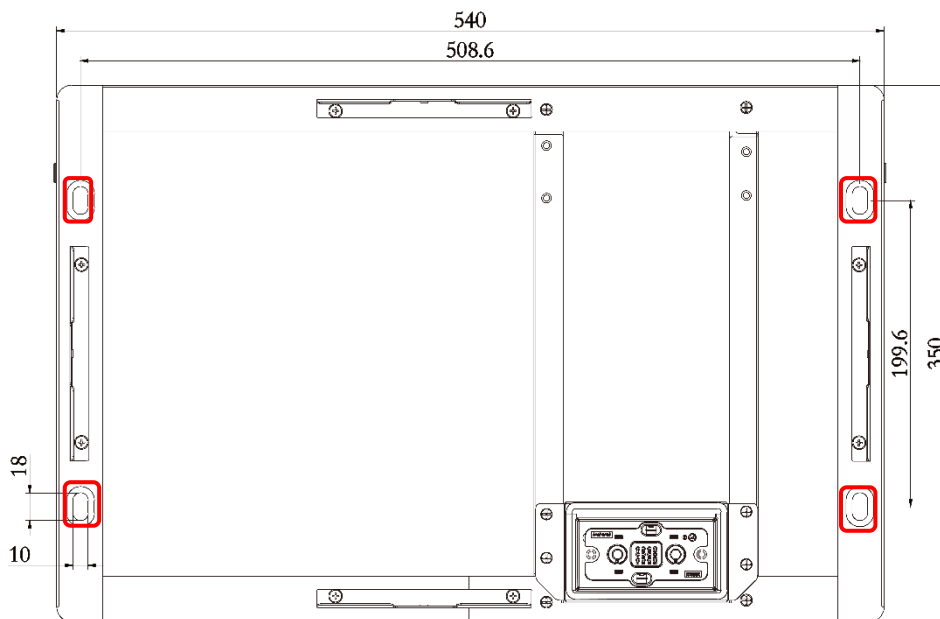
4.4 System Installation

DANGER

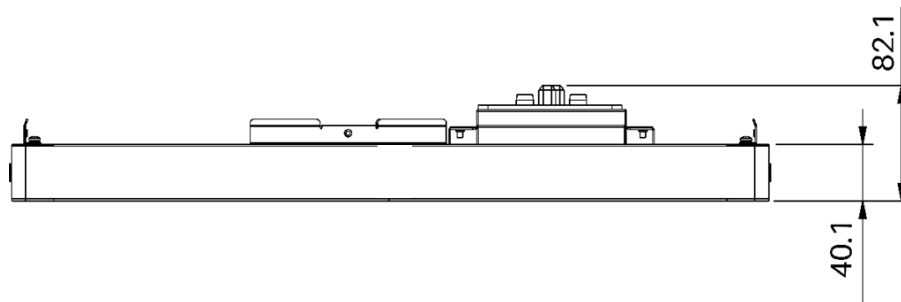
Danger: The system is a high voltage DC system, operated by qualified and authorized person only.

4.4.1 Mounting the Battery Base

Approach 1: When the system cannot be mounted with wall brackets, in order to ensure that the system does not fall over, the base must be fixed to the support surface with 4 pcs M8×60 expansion bolts.

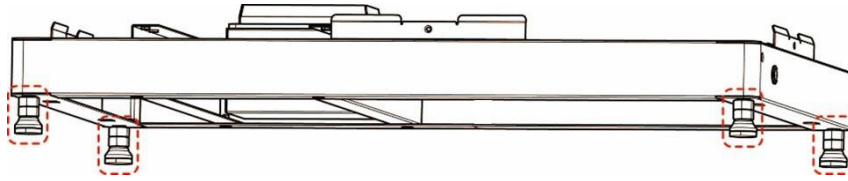


Battery rack base holes' (circled in red) bitmap (unit: mm)



Battery rack base bitmap (unit: mm)

Approach 2: If the ground of installation area is uneven, install the base feet which can be adjusted at the four corners to ensure that the system is in a horizontal position with an additional leveling instrument.



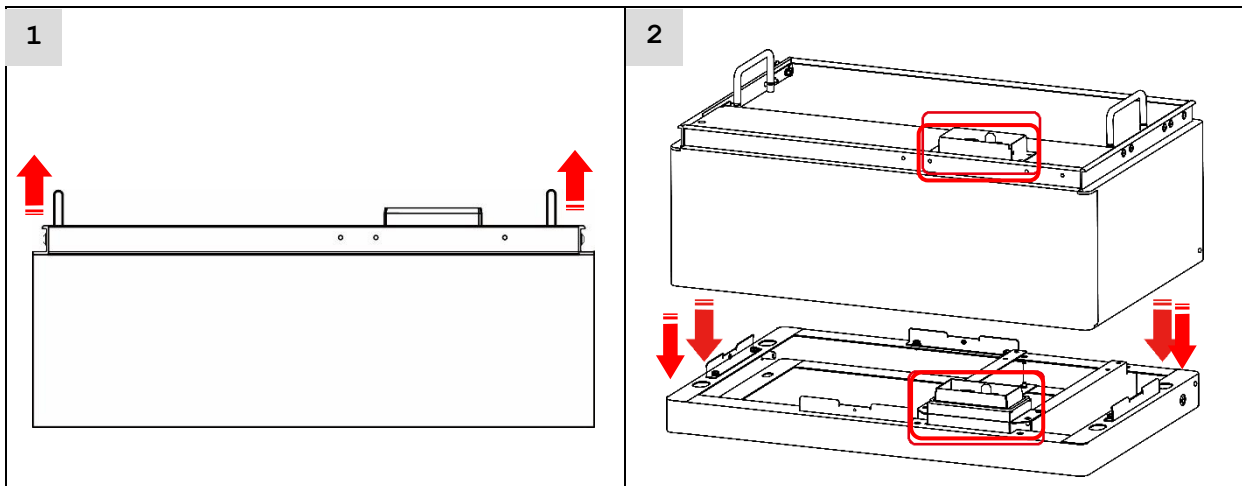
4.4.2 Installing the Battery Module onto the Base

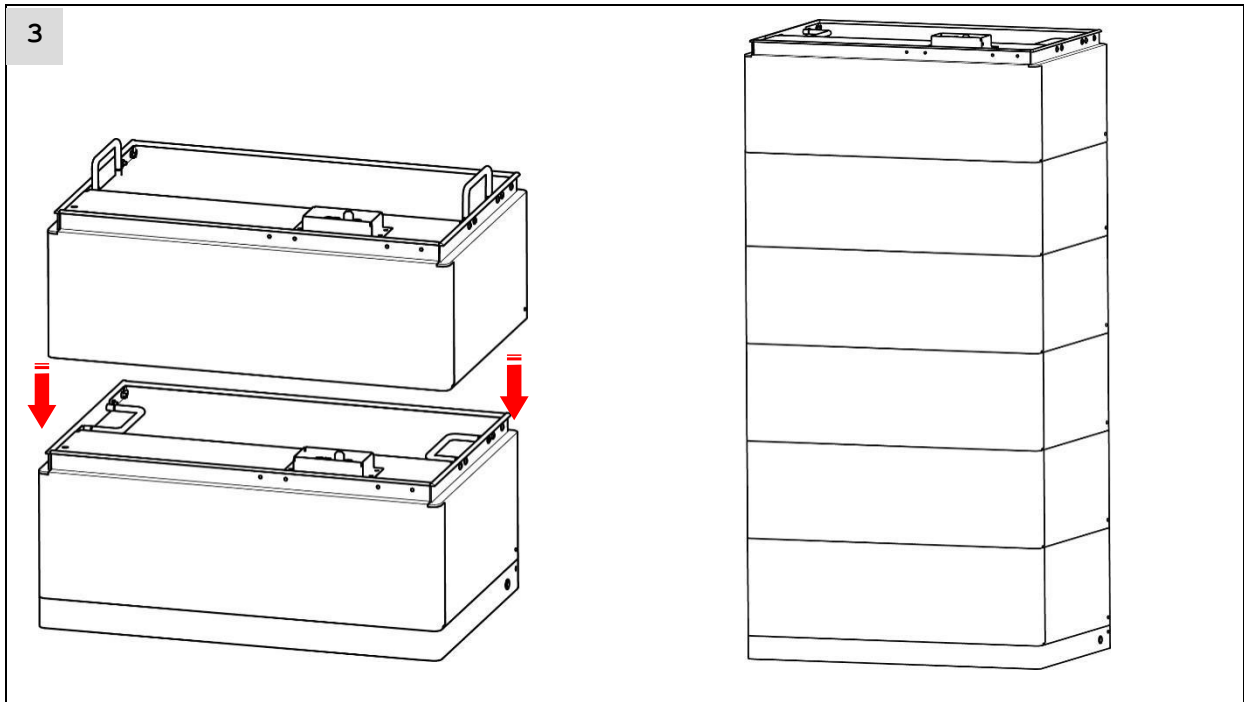
⚠ WARNING

Warning: Single battery module is 39 kg. The battery module should be handled by at least 2 people if there're no handling tools.

1. Lift the two handles on the battery module as below, making sure the battery not tilting to one side.
2. Adjust to keep the connector of the battery (circled in red) align with the connector of the base (circled in red). Slowly put down the battery, fitting it properly onto the base. It is important to ensure that the module is installed vertically, to prevent misalignment of the connectors.
3. Continue to install the left battery modules one by one onto the existing battery.

NOTE: Maximum 7 battery modules are allowed to be installed in one system.



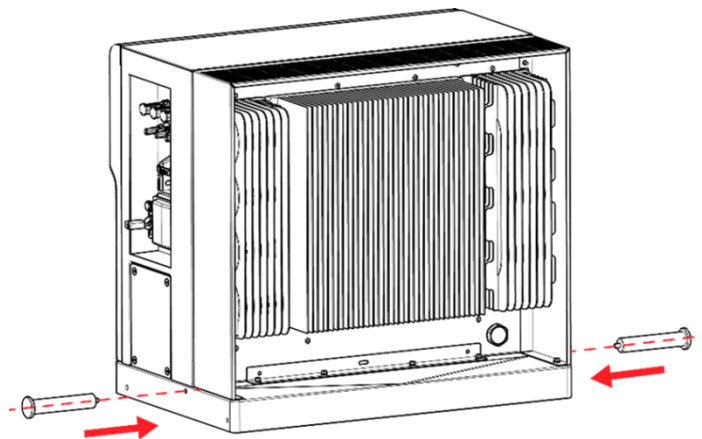


4.4.3 Installing the Power Controller onto the Battery Module

⚠ DANGER

Danger: When battery is connected together with the base, the internal socket still has high voltage DC power from serial connected battery modules.

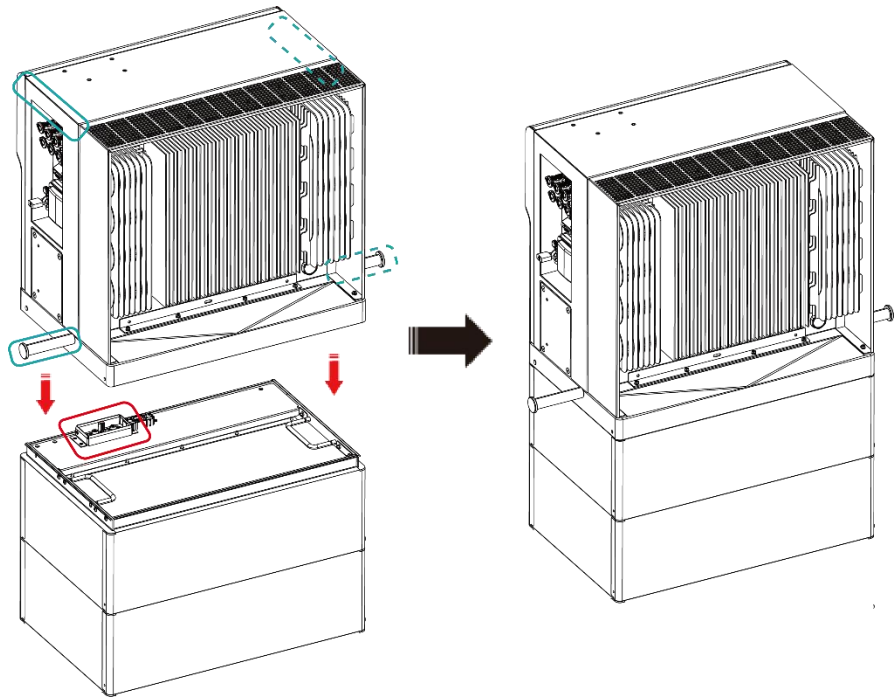
1. Insert the 2 lifting handles into the holes on the left and right sides of the controller. Tighten the 2 lifting handles until they are immovable and the handles are securely connected.



2. Place one hand on the top edge of the controller and one hand on the lift handle to slowly lift up the controller by 2 people.
3. Adjust to make the connector of the controller align with the connector of the battery module. Slowly put down the controller, fitting it properly onto the battery module.

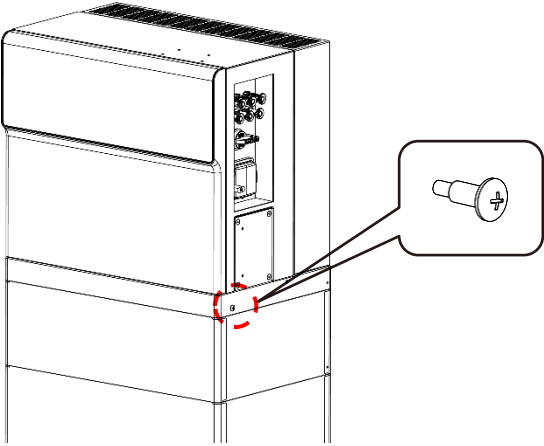
The controller should be lifted by 2 people.
For each person:

- One hand on the upper edge.
- The other hand on the lift handle



NOTE: The above picture is just for reference. The quantity of the battery modules is based on your practical system.

4. Unscrew the lifting handles from the controller.
5. Fix the controller to the battery module with 2 M4 screws on both sides of the controller base.

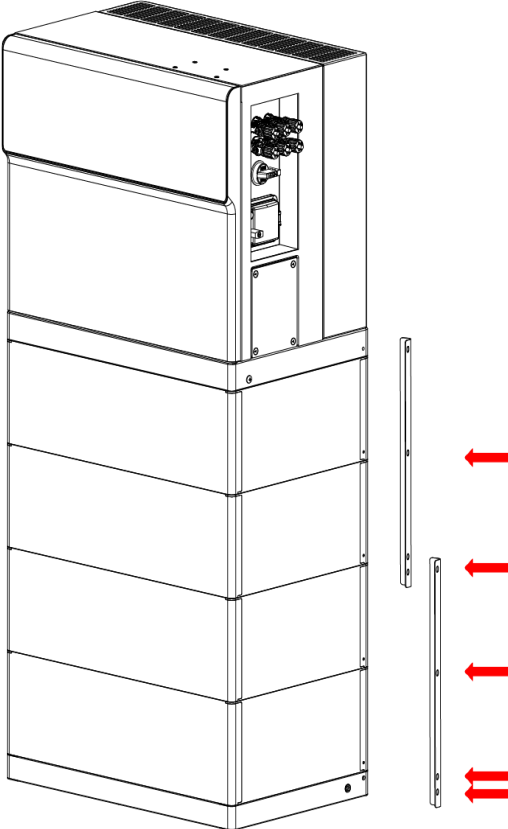


4.4.4 Installing the Metal Brackets for the System

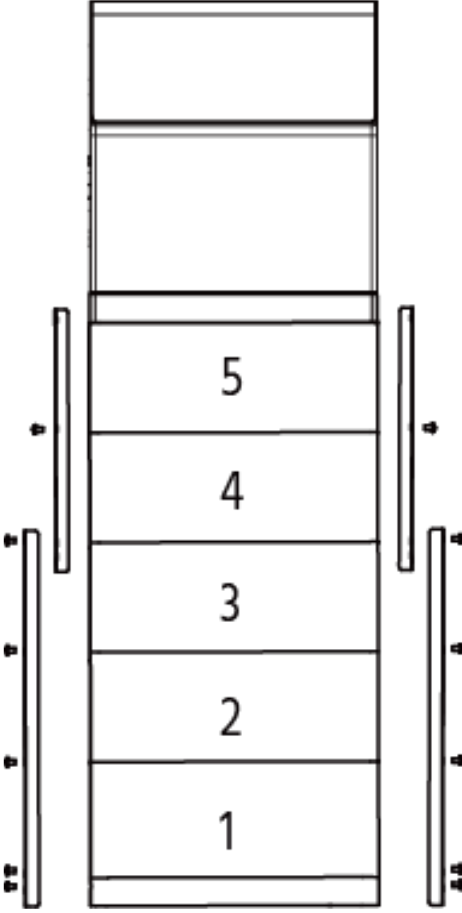
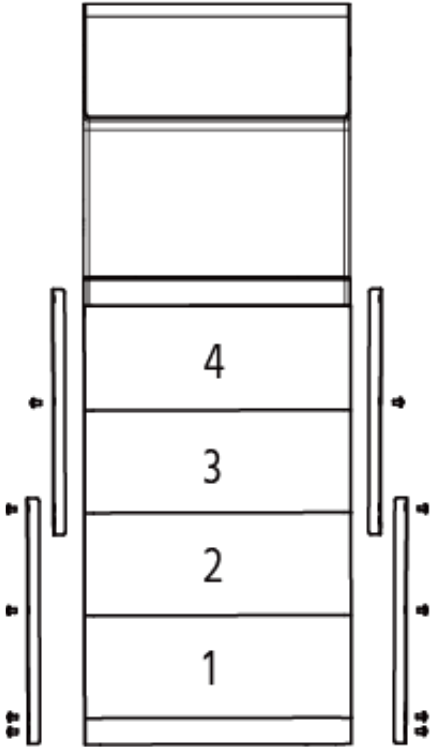
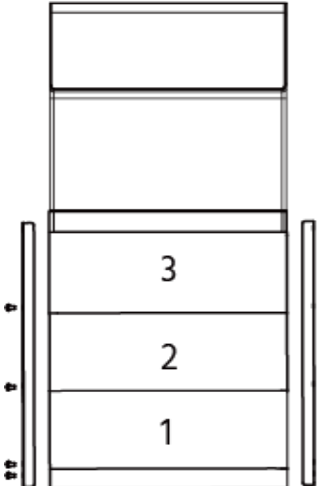
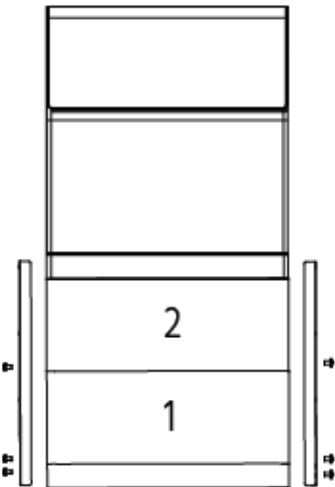
There are 2 sizes of metal brackets in the package of the controller (6 pcs in total).

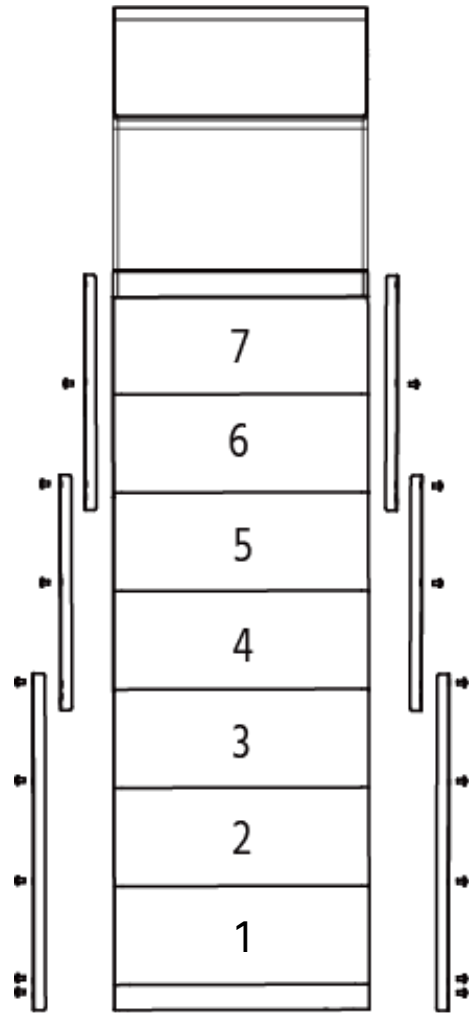
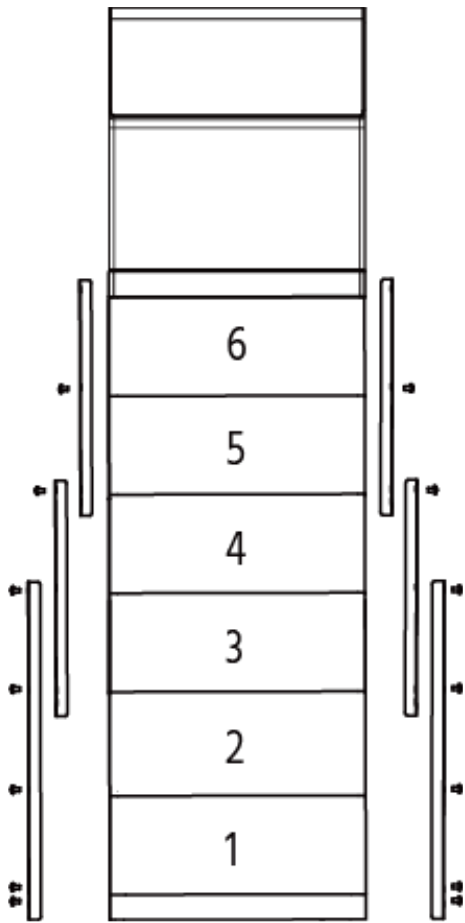
4pcs (for 2 modules); 2pcs (for 3 modules).

Fix these metal brackets at both back sides of the battery modules (see the figure below).



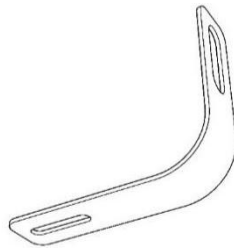
Please follow the illustrations below to install the metal brackets for your practical system.





4.4.5 Installing the Anti-Toppling Brackets for the System

AXIhycon ONE system is equipped with two anti-toppling brackets as follows.



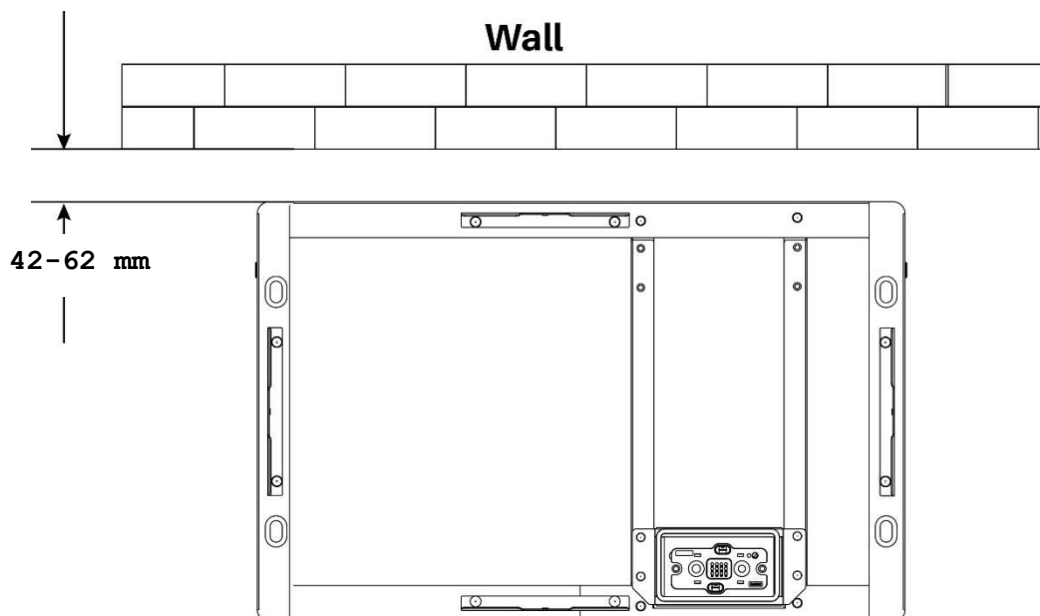
Such brackets act as an alternative of ground mounting of the battery system. Customers can choose either of the following methods for the system installation:

- Ground mounting with 4 × M8 expansion bolts to the support surface (see *Section 4.4.1 Mounting the Battery Base*).
- Bracket mounting with 2 × M8 expansion bolts to the wall (Battery system still needs to be placed on the support surface for supporting the overall weight.)

As long as the installation area meets the requirement of the installation site (see *Section 4.3 Selecting the Installation Sites*), in either case the installation stability is guaranteed.

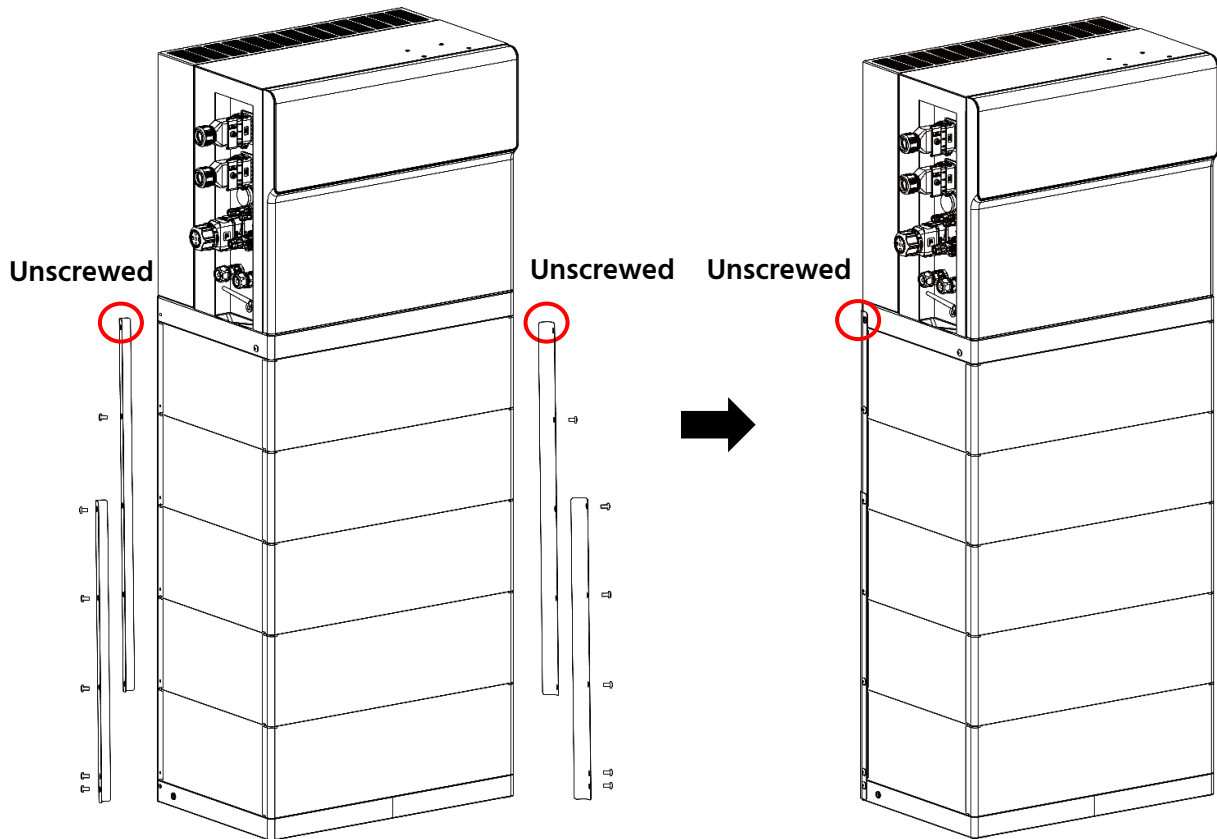
The detailed installation process with such brackets is as follows:

1. Put the base along the wall and reserve 42-62 mm distance between back of the base and the wall.



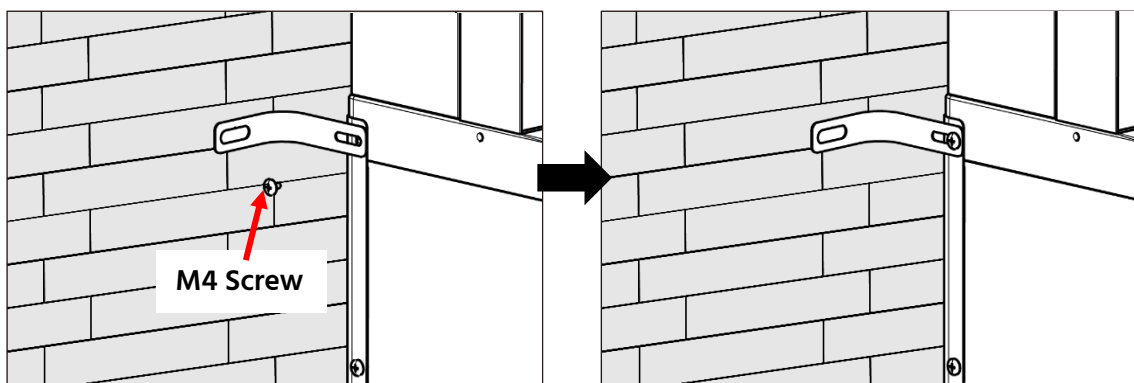
2. Follow the steps described above correctly to install all the battery modules, controller and brackets, seeing *Section 4.4.2 Installing the Battery Module onto the Base*, *4.4.3 Installing the Power Controller onto the Battery Module* and *4.4.4 Installing the Metal Brackets for the System*.

NOTE: When installing the metal brackets at the back side, always remain the two connecting points between brackets and controller unscrewed shown as below.

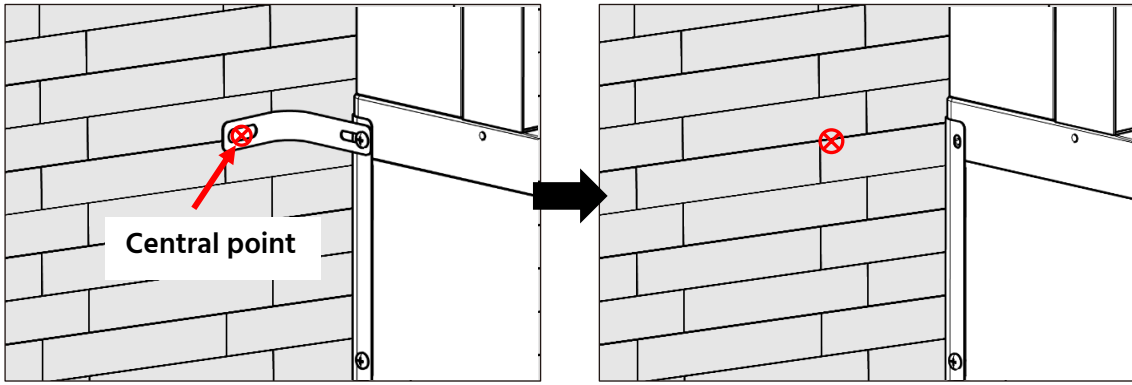


3. Follow the illustrations below, firstly fit the anti-toppling brackets on back sides of the controller, then use M4 screws to fix.

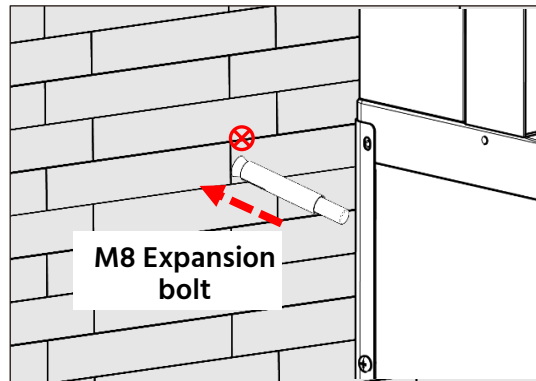
REMEMBER to fit the brackets on both sides of controller, same with following steps:



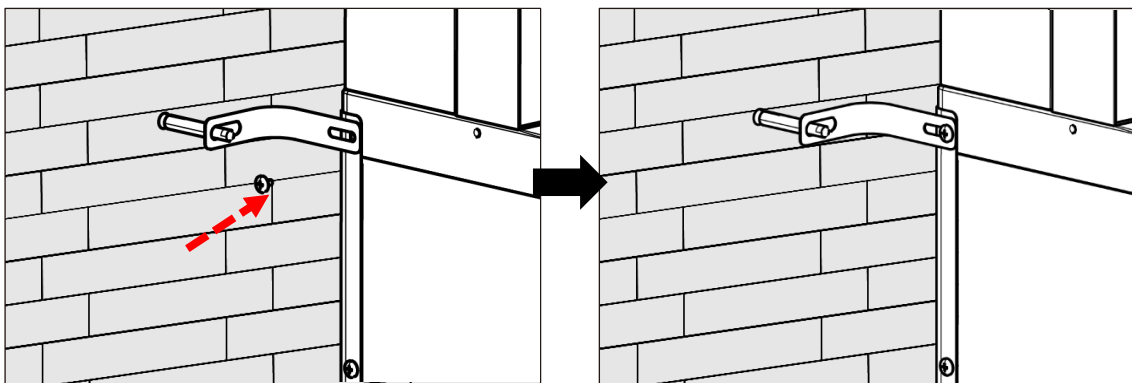
4. Mark the central points of the slotted holes at both sides on the wall.
5. Dismantle the brackets on both sides. Aligning the central points, drill two holes (≥ 60 mm depth) in the wall with a hammer drill and clean the holes.



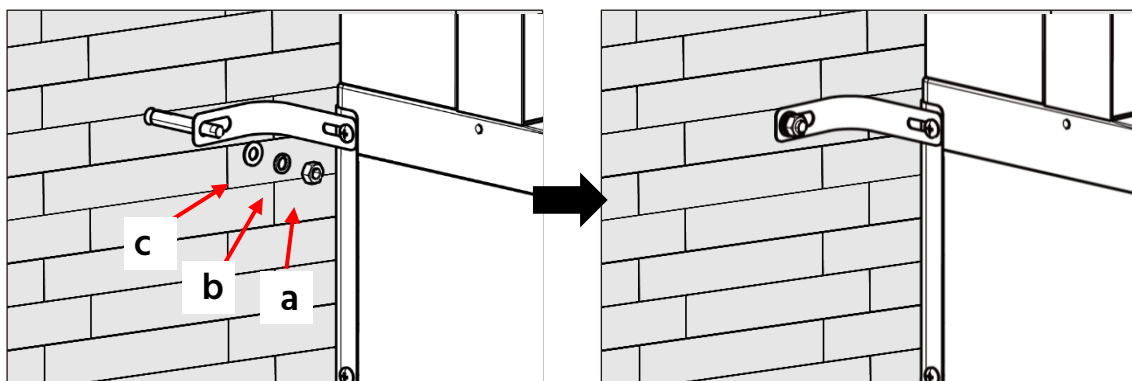
6. Embed the two M8 expansion bolts into the holes respectively.



7. Fit the brackets across the M8 expansion bolts on both sides, then fix the brackets on the controller with M4 screws (tightening torque: 1.7~2.2 N·m).



8. Fix the M8 nut (a) across the 8 mm flat gasket (c) and spring washer (b) with a torque of 12~13 N·m. Repeat this step for the other bracket.



5 Cable Connection

5.1 Safety Instructions

- Measure the frequency and voltage of grid connection and make sure they follow the system's grid connection specifications.
- An external circuit-breaker on the AC side is strongly recommended (>>> see *Section 5.5.3 AC Switch Types*).
- Reliability of all ground connections must be tested and valid.
- Before commissioning, disconnect the AXIhycon ONE and the circuit-breaker, and prevent accidental reconnection.

CAUTION

Caution: Wrong communication cables connection will cause the energy storage system failure.

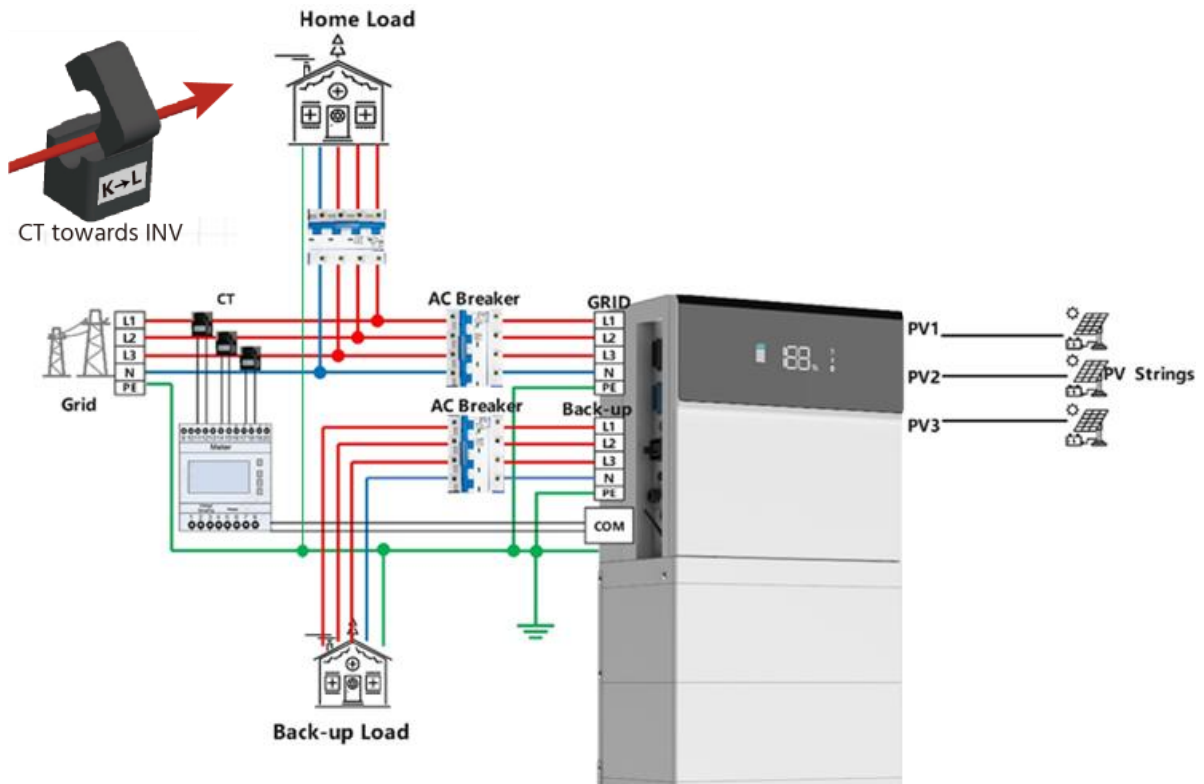
5.2 Preparing Cables

Cable specification requirements

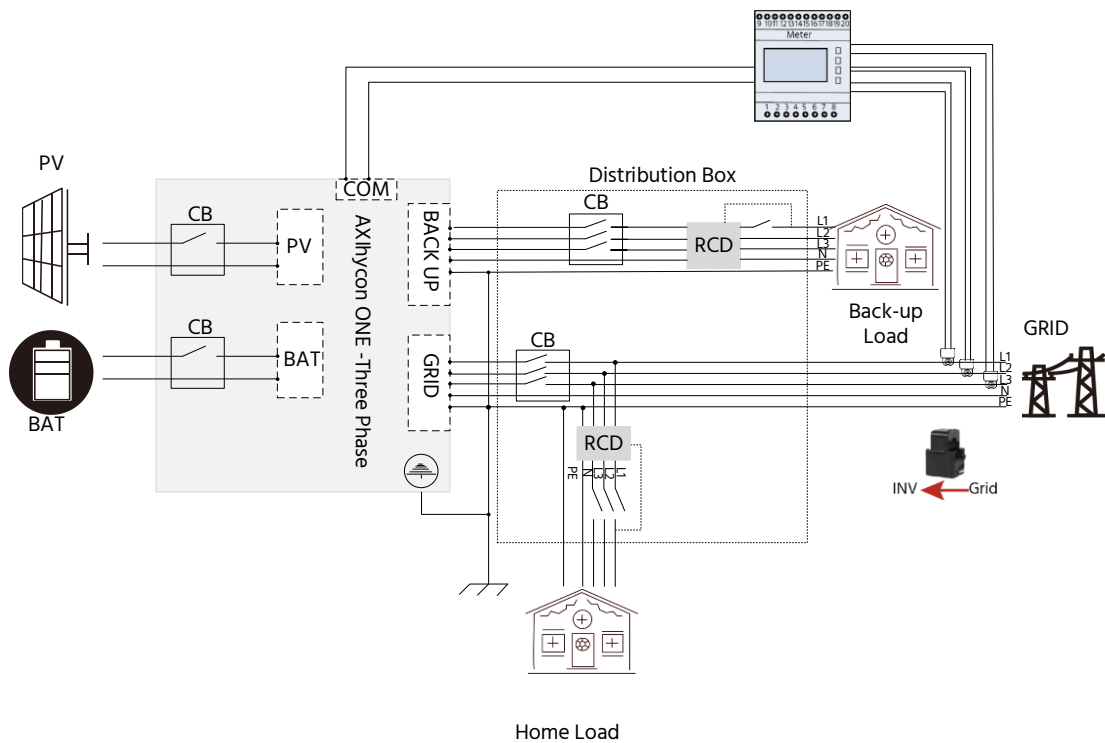
Item	Type	Conductor Cross-section	Cable Outer Diameter
AC cable	Outdoor copper cable	<ul style="list-style-type: none"> ● 8H: 4 mm² ● 10H: 4 mm² ● 12H: 6 mm² ● 15H: 6 mm² 	16~21 mm
BACK-UP cable	Outdoor copper cable	<ul style="list-style-type: none"> ● 8H: 4 mm² ● 10H: 4 mm² ● 12H: 6 mm² ● 15H: 6 mm² 	16~21 mm
DC cable	Standard outdoor PV cable PV1-F Model recommended	2.5~6 mm ²	4~7 mm
Communication cable		0.2 mm ²	4.5~6.8 mm
Grounding cable	Outdoor copper cable	<ul style="list-style-type: none"> ● 8H: 4 mm² ● 10H: 4 mm² ● 12H: 6 mm² ● 15H: 6 mm² 	-
External cable to heat pump		0.5 mm ²	4.5~7.0 mm

5.3 System Diagram

5.3.1 Electrical Wiring Diagram



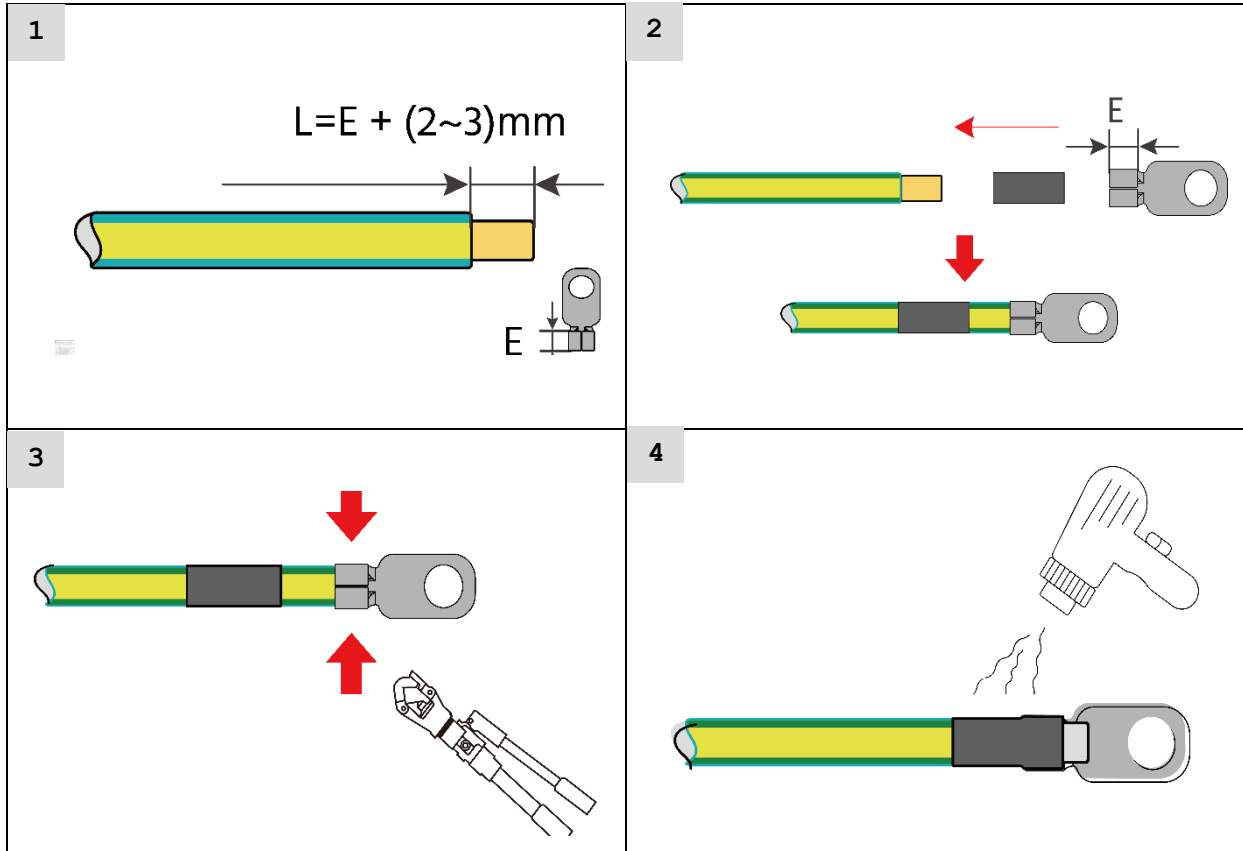
5.3.2 Standard Wiring Diagram



5.4 Grounding Connection

Procedure

1. Prepare the cable and OT/DT terminal.



NOTE: After being crimped, the OT terminal must wrap the wires completely, and the wires must contact the OT terminal closely. When using a heat gun, protect the device from being scorched.

2. Use the ground screw (see in the packing list >>> see *Section 4.1 Checking Before the Installation*) and fix the grounding wire to the chassis grounding point with a screwdriver

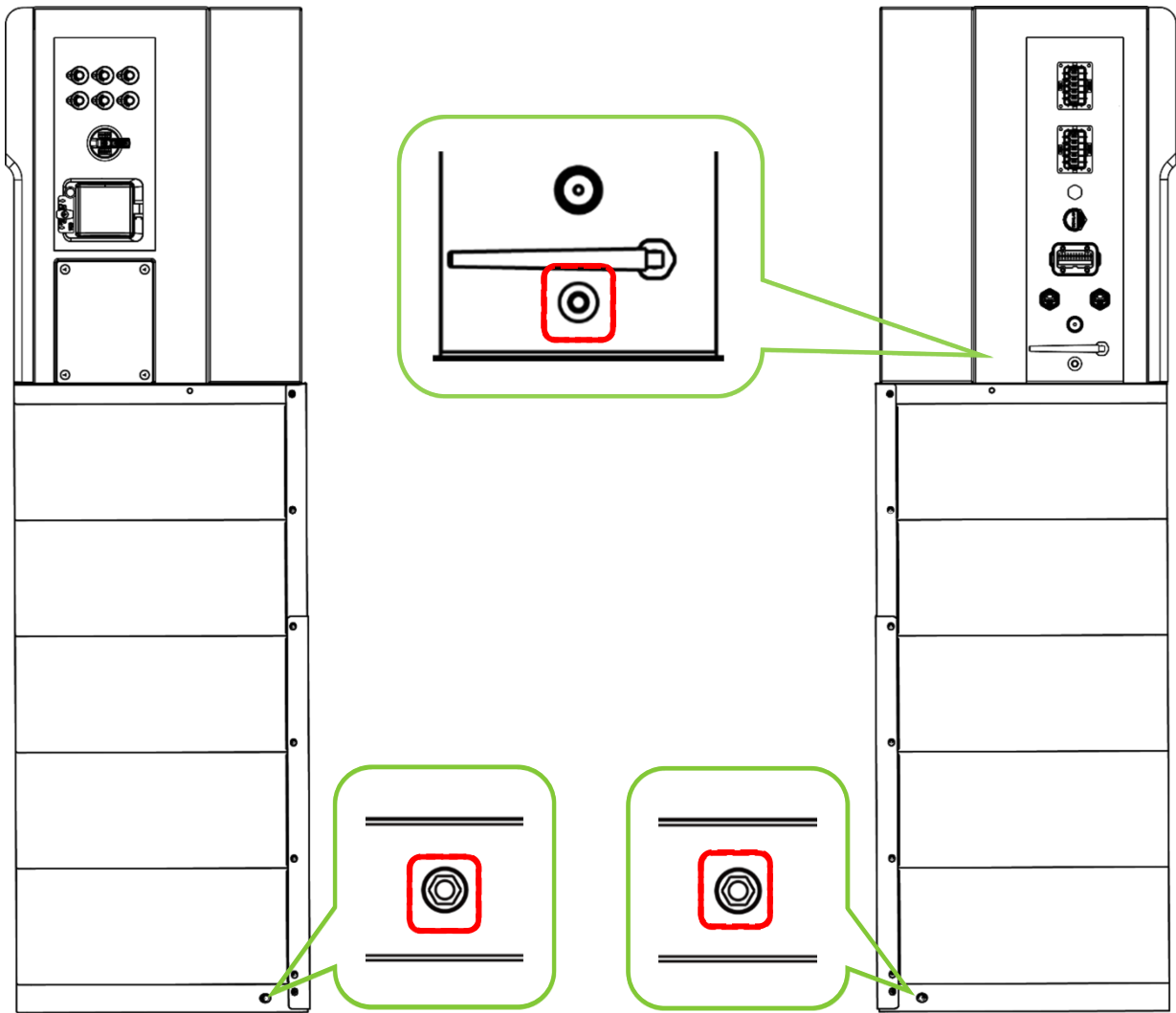
WARNING

Warning: The system has 3 grounding points as follows. Any one of these grounding points can be used for grounding.

The Grounding cable must meet the following requirements:

- For 8H and 10H: $\geq 4 \text{ mm}^2$
- For 12H and 15H: $\geq 6 \text{ mm}^2$

The cable shall be copper with yellow-green color.

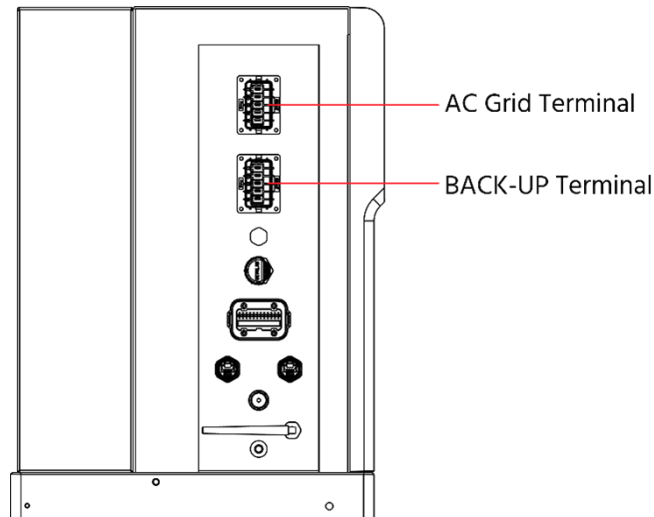


3. Apply paint to the grounding point to ensure corrosion resistance.

5.5 AC Connector Assembly and Connection

There are two AC terminals on the power controller with similar assembly steps.

- The AC GRID terminal: connect to the grid.
- BACK-UP terminal: connect to the critical load circuit.



NOTICE

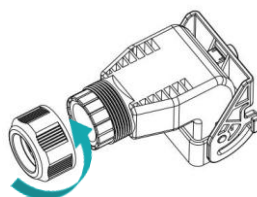
- The PE point on the AC output port is used only as a PE equipotential point and cannot replace the PE point on the housing.
- The cable jacket needs to be inside the connector.
- The exposed core wire needs to be fully inserted into the cable hole.
- Insulation must not be pressed into the conductor insertion points
- The AC output cable needs to be secured. Failure to do so may result in equipment failure or damage to the AC power connector.
- The cable must not be twisted.

5.5.1 AC Connector Type A Assembly and Connection

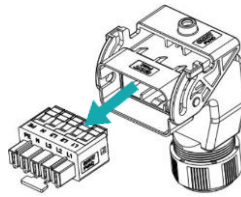
5.5.1.1 AC Connector Assembly

Procedure

1. Unscrew the swivel nut of the connector.



2. Take out the terminal block from the housing.



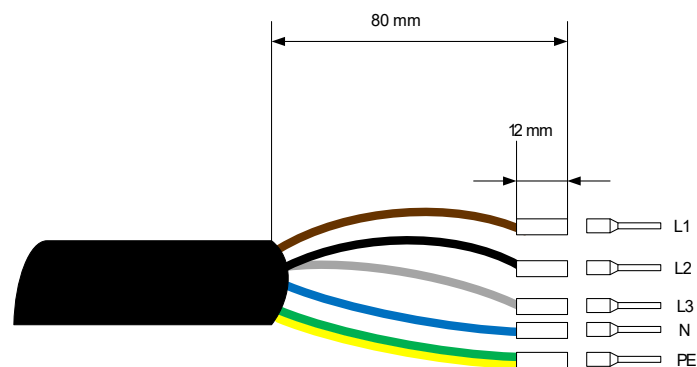
3. Thread the AC cable of appropriate length through the swivel nut and the housing.

NOTE:

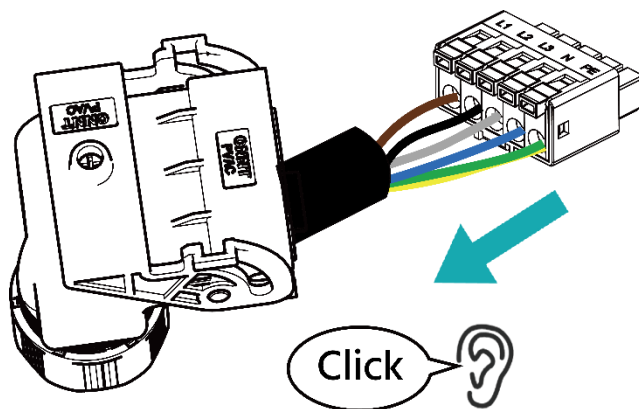
When crimping terminals for five wires, the front side needs to be pre-bent to allow the wires to pass through the connector.

4. Strip 80 mm of the cable jacket and 12 mm of the wire insulation.

NOTE: The color of the cable cores in the figure is for reference only, and cables or cable cores selected must meet local standards. When using a multi-core multi-strand copper wire cable, connect the AC wire head to the cord end terminal (hand-tight). In case of single-strand copper wire, skip this step.



5. Open the orange switch of the terminal plug.
6. Plug the wires into the terminal plug according to the labels on the terminal plug. Then push the terminal plug into the housing until there is an audible click.
7. Fasten the swivel nut to the housing with appropriate torque.



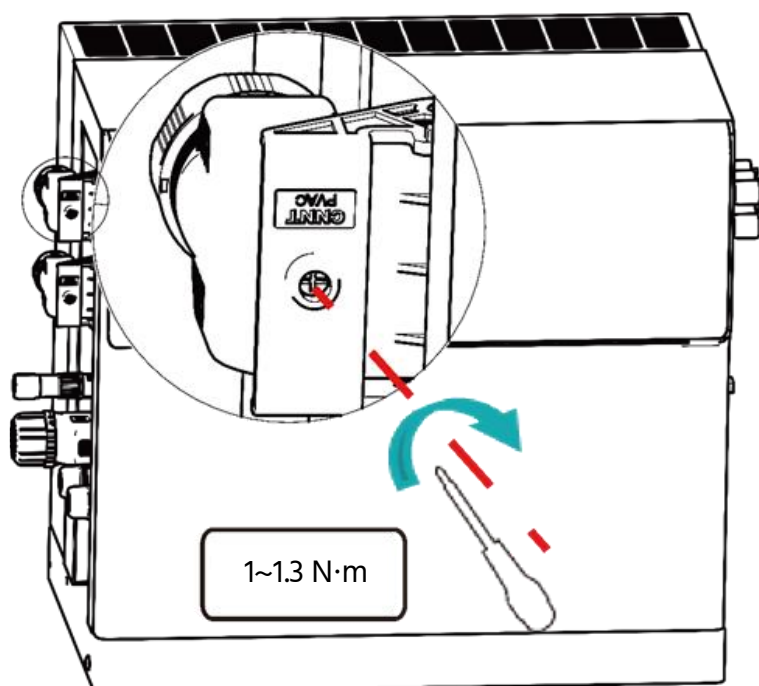
NOTICE

Observe the plug assignment. Do not connect any phase line to the "PE" terminal or the PE wire to the "N" terminal. Otherwise, unrecoverable damage to the system may follow.

5.5.1.2 AC Connector Connection

Procedure

1. Disconnect the AC circuit breaker and secure it against reconnection.
2. Remove the waterproof lid from the AC terminal.
3. Open the clip on the connector.
4. Insert the connector into the AC terminal and close the clip.
5. Tighten the screw with screwdriver (tightening torque 1-1.3 N·m).

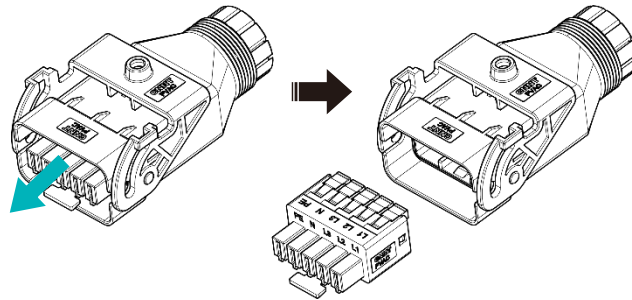


5.5.2 AC Connector Type B Assembly and Connection

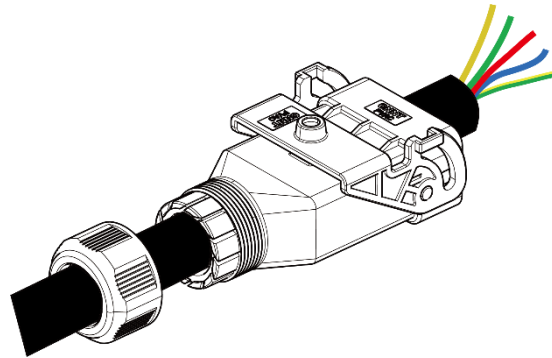
5.5.2.1 AC Connector Assembly

Procedure

6. Take out the terminal block from the housing.

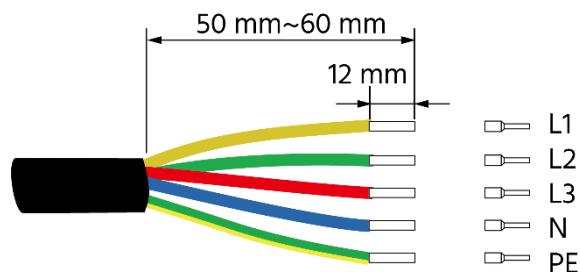


7. Thread the AC cable of appropriate length through the swivel nut and the housing.



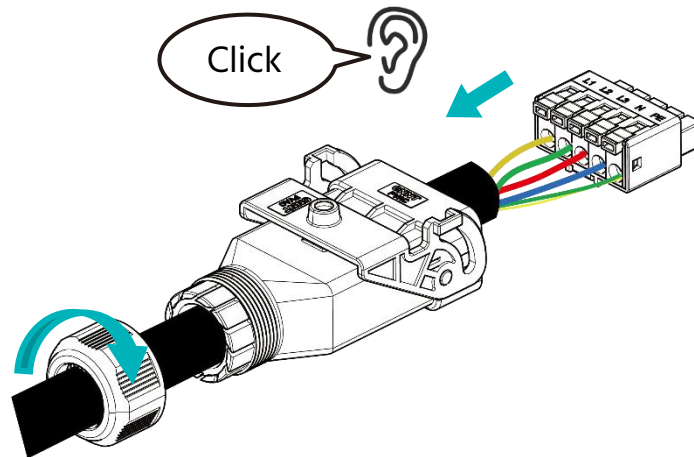
8. Strip 50 mm ~ 60 mm of the cable jacket and 12 mm of the wire insulation.

NOTE: The color of the cable cores in the figure is for reference only, and cables or cable cores selected must meet local standards. When using a multi-core multi-strand copper wire cable, connect the AC wire head to the cord end terminal (hand-tight). In case of single-strand copper wire, skip this step.



9. Open the orange switch of the terminal plug.
10. Plug the wires into the terminal plug according to the labels on the terminal plug. Then push the terminal plug into the housing until there is an audible click.

11. Fasten the swivel nut to the housing with appropriate torque.



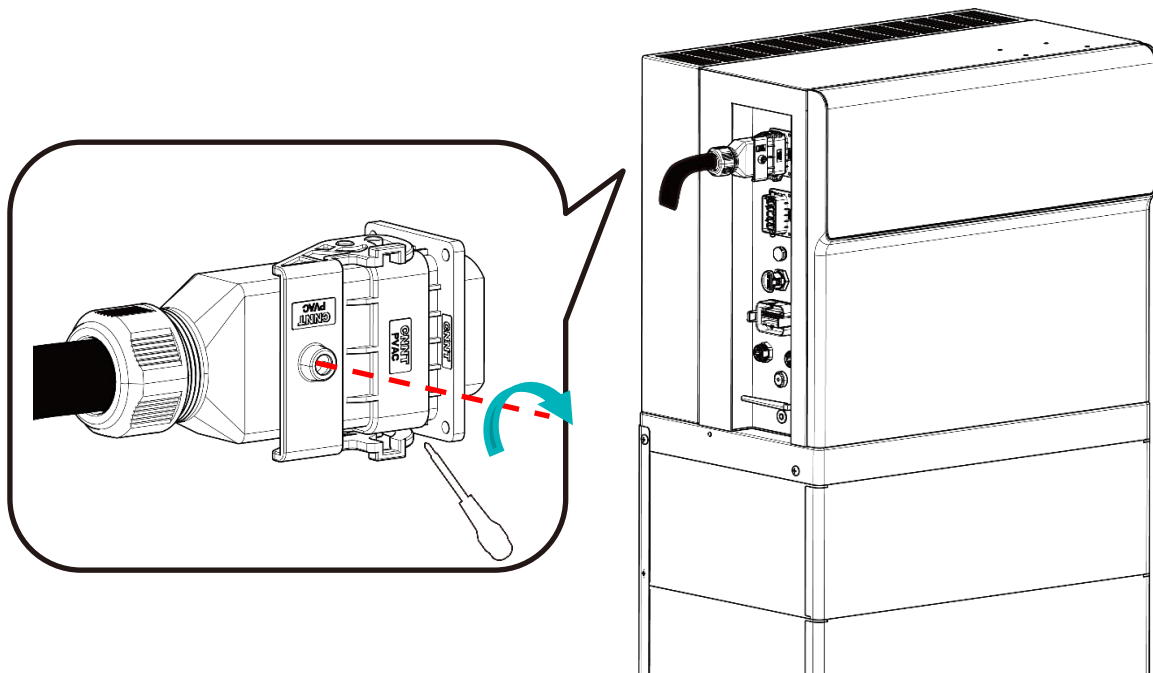
NOTICE

Observe the plug assignment. Do not connect any phase line to the "PE" terminal or the PE wire to the "N" terminal. Otherwise, unrecoverable damage to the system may follow.

5.5.2.2 AC Connector Connection

Procedure

1. Disconnect the AC circuit breaker and secure it against reconnection.
2. Remove the waterproof lid from the AC terminal.
3. Open the clip on the connector.
4. Insert the connector into the AC terminal and close the clip.
5. Tighten the screw with screwdriver (tightening torque 0.5-0.8 N·m).



5.5.3 AC Switch Types

Please install an individual 4-stage miniature circuit breaker according to the following specifications.

System Model	AC Terminal Type	Maximum Current (A)	AC Breaker Rated Current (A)
AXIhycon ONE-8H	Grid	17.4	32/400V AC
	Back-up	11.6	
AXIhycon ONE-10H	Grid	21.7	
	Back-up	14.5	
AXIhycon ONE-12H	Grid	26.1	
	Back-up	17.4	
AXIhycon ONE-15H	Grid	32.6	50/400V AC
	Back-up	21.7	

Recommended circuit breaker specifications

Breaker	Rated Parameter	Number of Pole Pairs	Icc	Icp	Breaking Characteristic
1	32A / 400V AC	4	10KA	6KA	Type C
2	50A / 400V AC	4	10KA	6KA	

Recommended leakage current protection device

In the system installation, it is recommended to add leakage current protection device at the grid access and load output, generally 30mA (type B) RCD can meet the requirement.

5.6 PV Connector Assembly and Connection

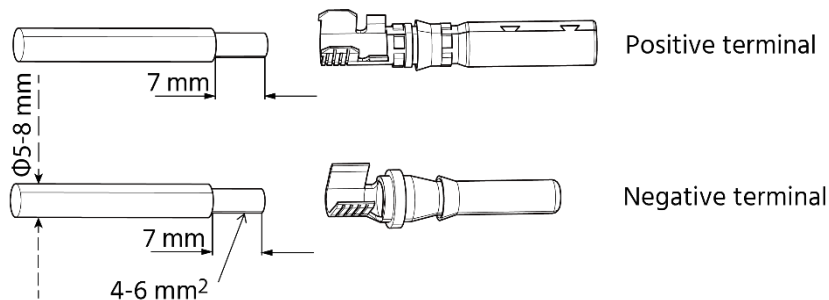
5.6.1 PV Connector Assembly

NOTES:

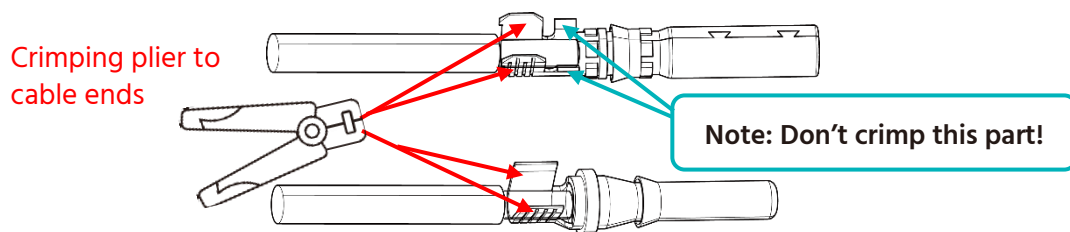
- All PV modules of the connected strings must have the same orientation and tilt angle.
- Before commissioning and connecting the PV arrays, the PV switch MUST be open.
- It is mandatory to use the DC connectors within package for the connection of PV arrays.
- The polarity of the PV arrays MUST be compatible to the DC connectors of power controller.
- The DC input voltage and DC input current of the PV array MUST never exceed the maximum input allowance of the power controller.,
- Each PV string needs to be grounded.

Procedure

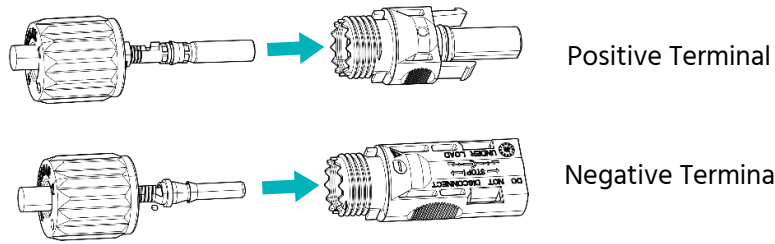
1. Strip off the insulation from each DC cable.



2. Assemble the cable ends with the crimping plier.



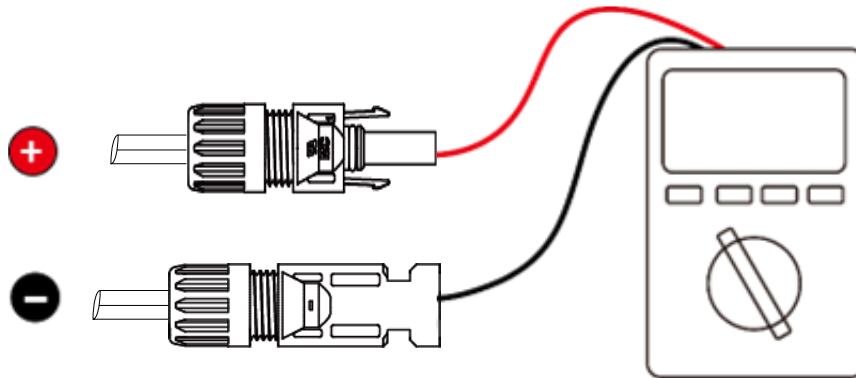
3. Thread the cable through cable gland and insert the crimp contact into the insulator until it snaps into place. Ensure that the cables are securely in place by slightly pulling outwards. Tighten the cable gland and insulator (tightening torque 2.6-2.9 N·m).



NOTE: Please check for polarity correctness. If the PV polarity is reversed, the system will be in a fault or alarm state and will not operate normally.

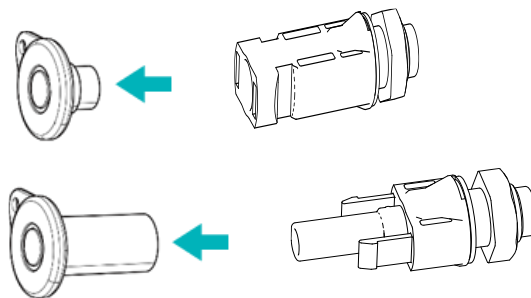
5.6.2 PV Connector Connection

1. Check the polarities of the PV strings. And check the open-circuit voltage is less than power controller input limit 1000V.

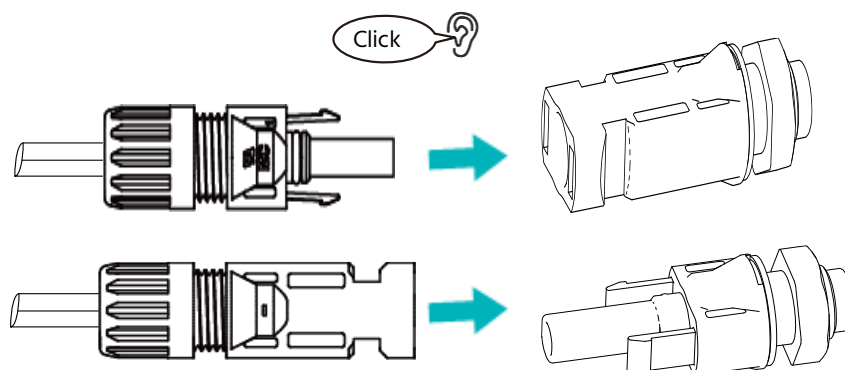


2. Remove the waterproof caps from PV terminals.

NOTE: If there is an unused terminal, please seal it with the cap.



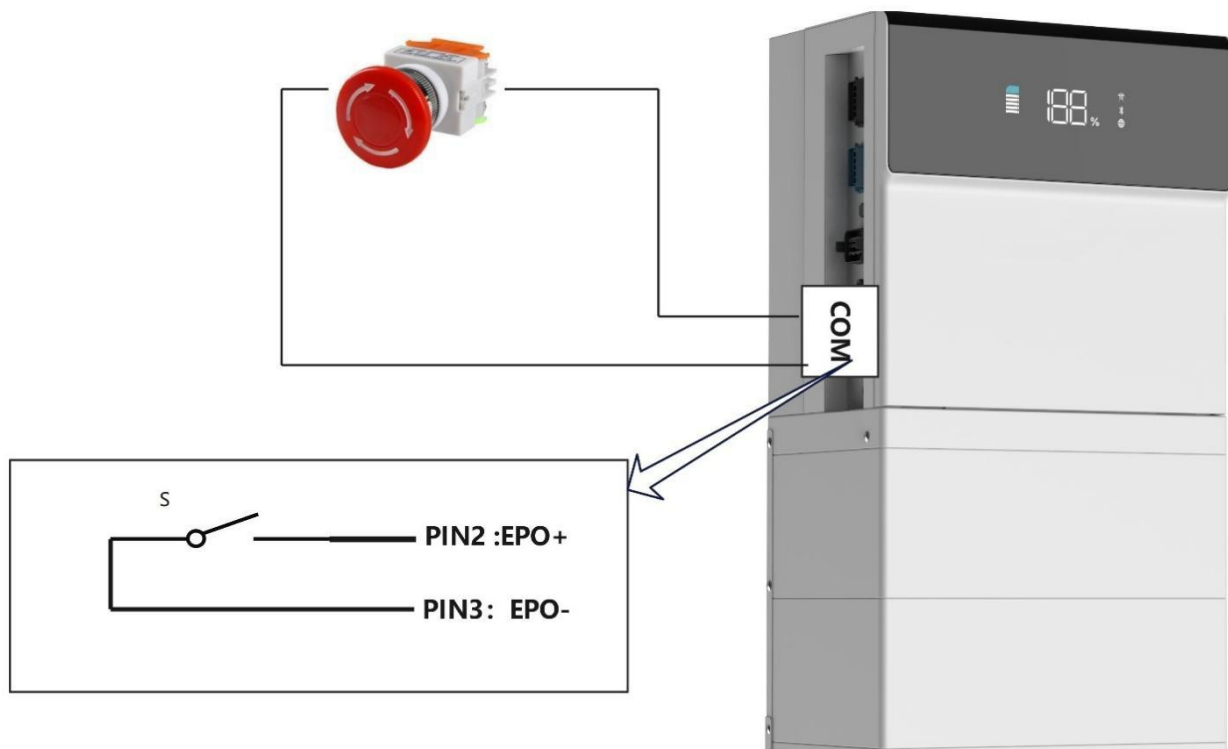
3. Insert the connectors into the terminal until there is an audible click.



NOTE: The PV terminal can be removed by the following PV Terminal Removal Tool (see in the packing list >>> see *Section 4.1 Checking Before the Installation*)



5.7 EPO Connection



(PIN2 and PIN3 in the COM communication port are EPO function port pins. Connect PIN2 and PIN3 externally to a normally closed switch for short circuiting)

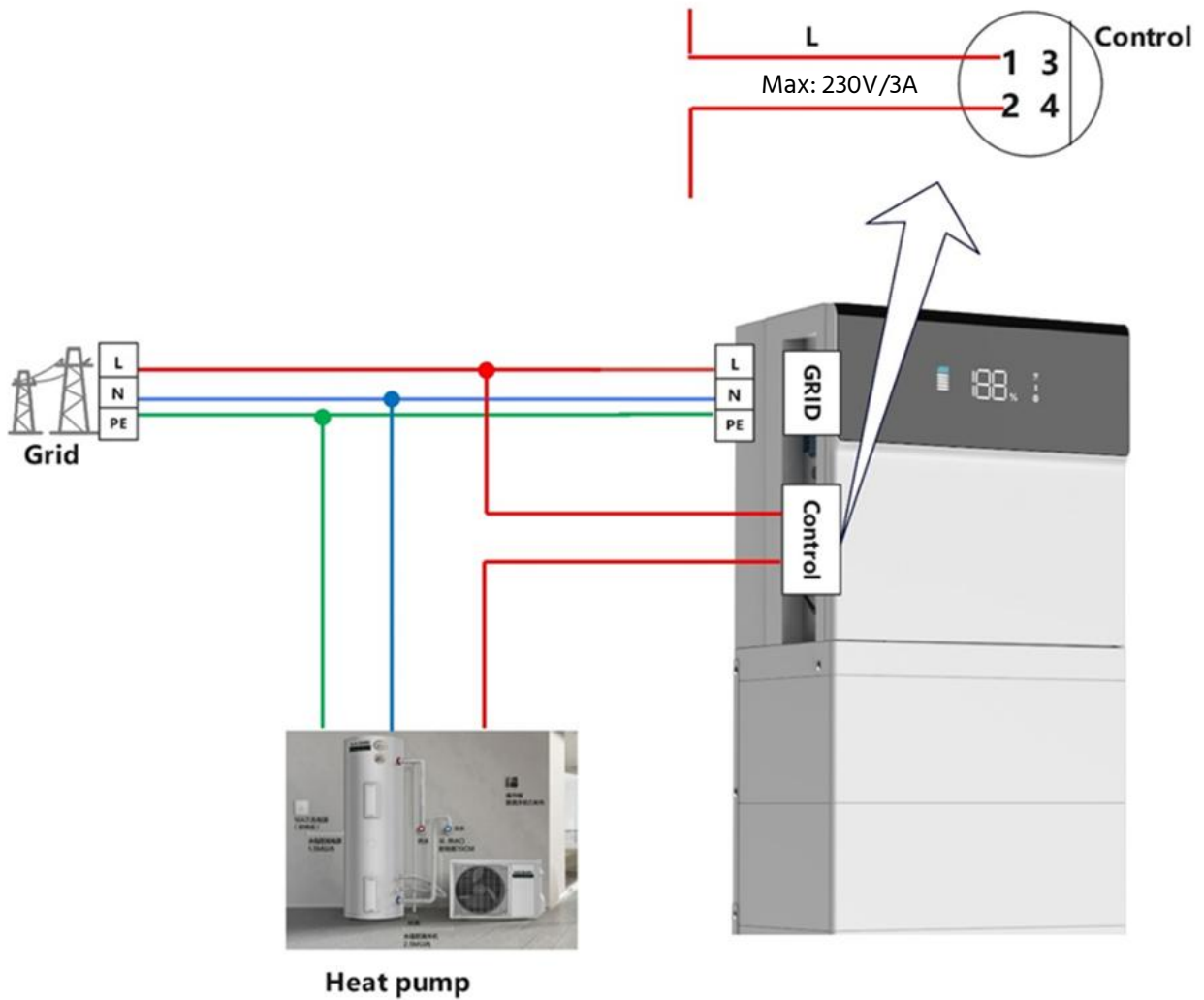
EPO (Emergency Power Off) function is a special feature of AXIhycon ONE products, it can be used to switch off the inverter's full power through the external switch button, for safety operation in emergency situations.

This function is not enabled by default, if customers need to use it, they can enable EPO on the APP. When EPO is enabled, a normally closed switch must be connected to short EPO+ and EPO- signals, in case of emergency, the customer will open this normally closed switch to disconnect EPO+/EPO- signals, and the inverter will quickly cut off all the power components and stop working when it receives the disconnecting signal.

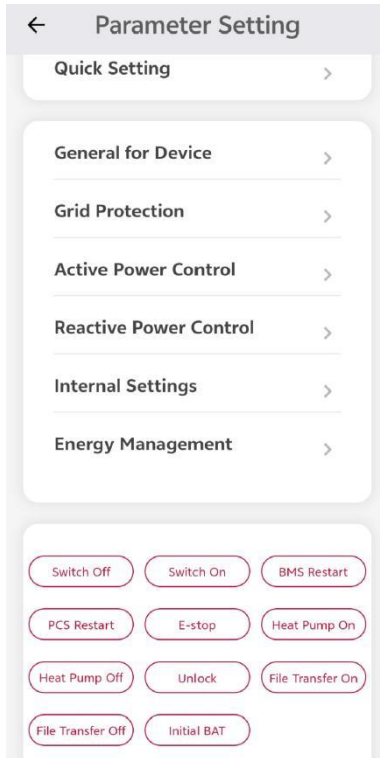
NOTES:

- When PV and Grid are not available and only battery power is supplied, the whole system will power down and shut down when the EPO switch is disconnected.
- When the EPO enable is on, the system will not work if the EPO+/EPO- signals are not shorted.

5.8 Heat Pump Connection



Users can use the heat pump shortcut button on the app to switch on and off the heat pump in their home.

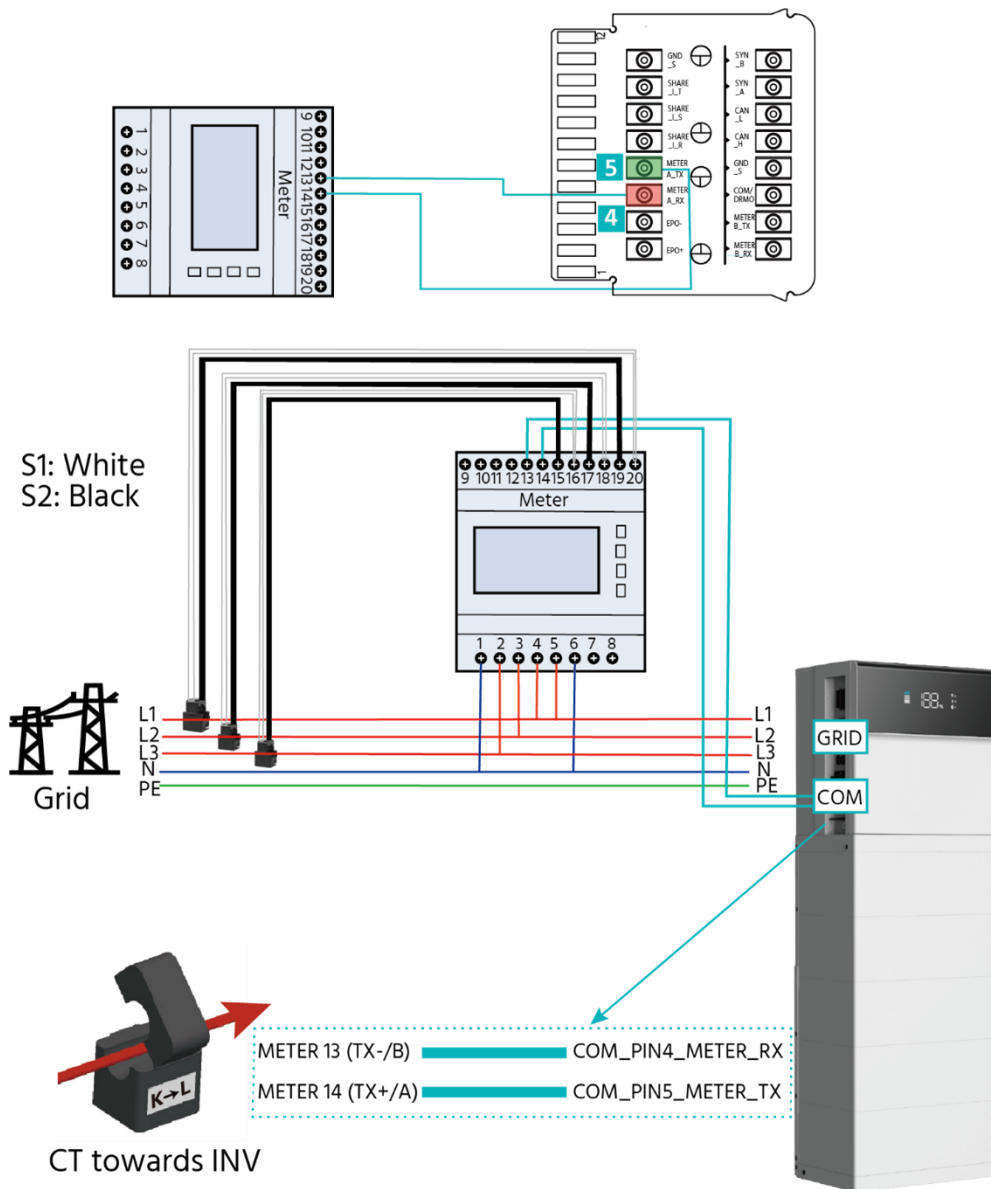


Heat Pump Signal Cable:

PIN1	PUMP+	Control heat pump start-up
PIN2	PUMP-	
PIN3	Outrelay+	Control EPS switchover
PIN4	Outrelay-	

5.9 CT Connection

How to connect Meter to the Multi-function terminal (CT need to connect to the Meter)

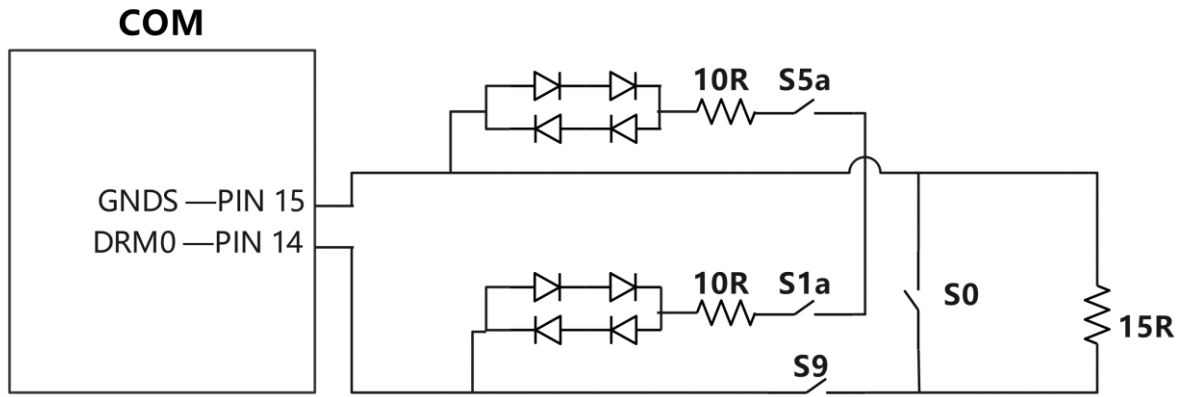


NOTE:

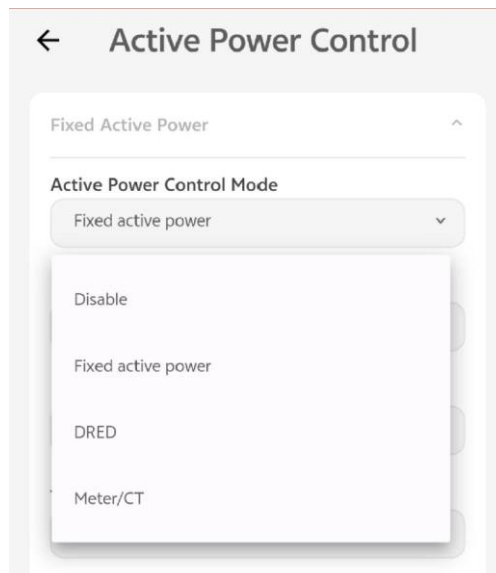
- The maximum distance between CT and system is 50m.
- The color of the cable cores in the figure is for reference only, and cables or cable cores selected must meet local standards.

5.10 DRM (Only DRM0 is Available)

In Austria, the inverter supports the demand response modes as specified in the standard AT_TOR.



Function	Interface	Definition
DRM 0	Communication terminals pin 14 DRM0, pin 15 GNDS	By closing S9 and closing S0, the inverter disconnects the AC output; Closing S9 and disconnecting S0, the inverter resumes grid connection

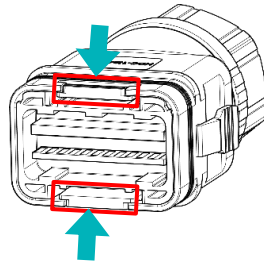


When DRM enable is turned on, connect the DRED (Demand Response Enabling Device) to the DRM0 interface on the inverter communication terminal to control DRM0.

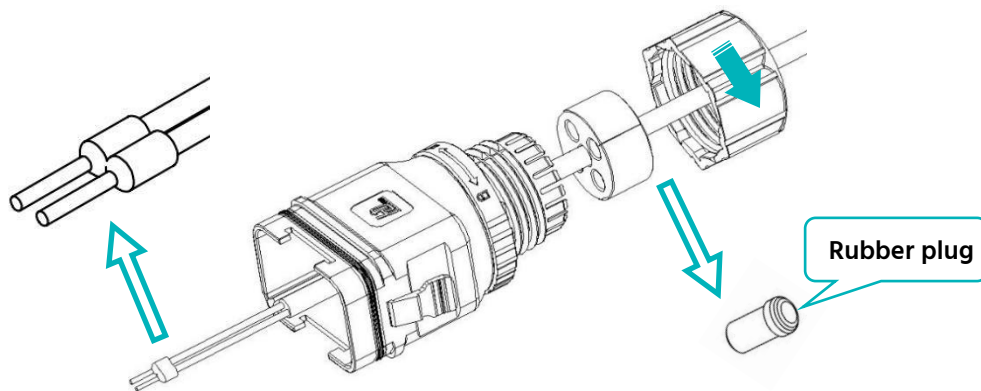
5.11 Communication Connector Assembly and Connection

5.11.1 Communication Connector Assembly

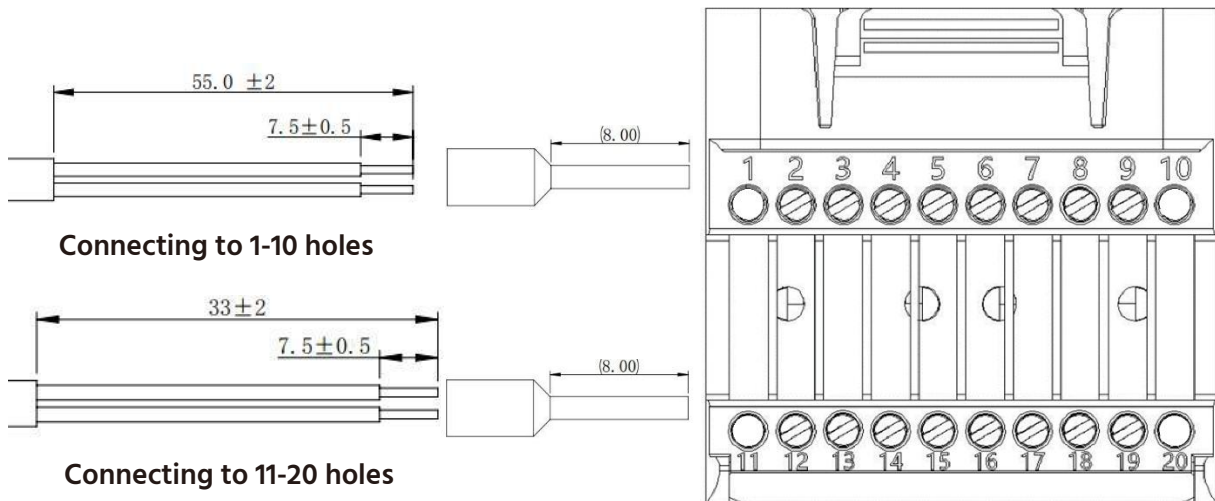
1. Unscrew the swivel nut from the COM connector.
2. Press on the upper and lower parts as shown in the following figure to take out the terminal plug.



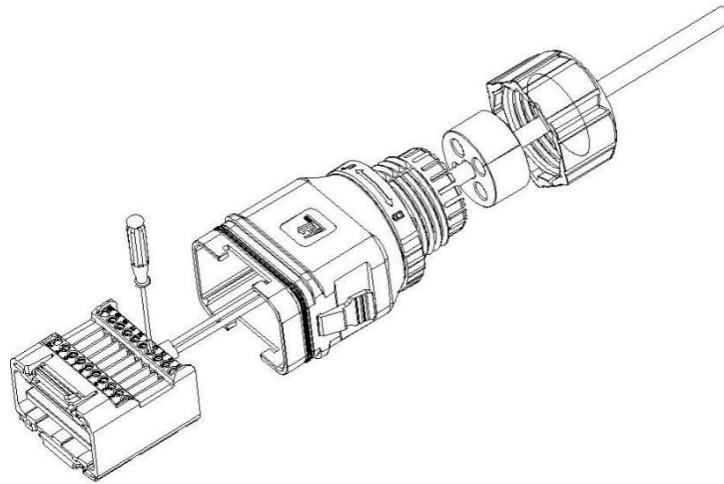
3. Remove the sealing rubber gasket and take out the rubber plugs from it.
4. Thread the cable through the swivel nut.
5. Insert the cable into the hole and get it stuck in the sealing rubber gasket.
6. Thread the cable of appropriate length through housing.



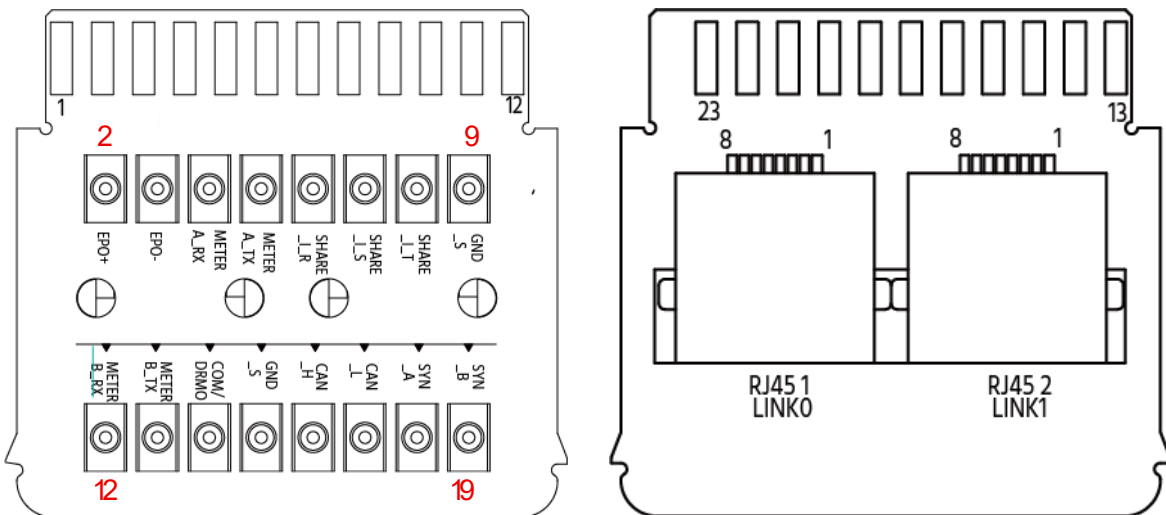
7. Strip the cable jacket and wire insulation according to the following dimensions.



8. Fix all the wires to the terminal plug according to the following pin definition figure and tighten to a torque of 1.2+/-0.1 N·m with a slotted screwdriver. Ensure that the wires are securely in place by slightly pulling outwards.



Pin definition



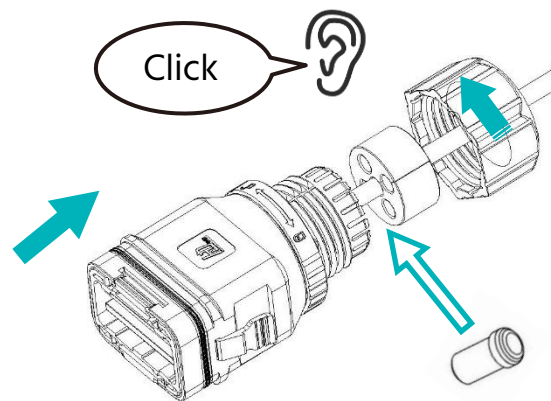
Note: For meter, 13(TX-/B) connected to PIN4_METERA_RX, 14(TX+/A) connected to PIN5_METERA_TX

CT towards to inverter.

Pin	Definition	Description
Pin 2	EPO+	Emergency stop button signal, to be short-circuited via external switch, for manual quick stop in case of emergency
Pin 3	EPO-	
Pin 4	METERA_RX	For communication connection to CT
Pin 5	METERA_TX	
Pin 6	SHARE_I_R	For parallel connection
Pin 7	SHARE_I_S	
Pin 8	SHARE_I_T	
Pin 9	GNDS	

Pin	Definition	Description
Pin 14	DRM0	For AT_TOR standard (Only DRM0 is available)
Pin 15	GNDS	
RJ45-1	LINK0	For parallel connection
RJ45-2	LINK1	For parallel connection

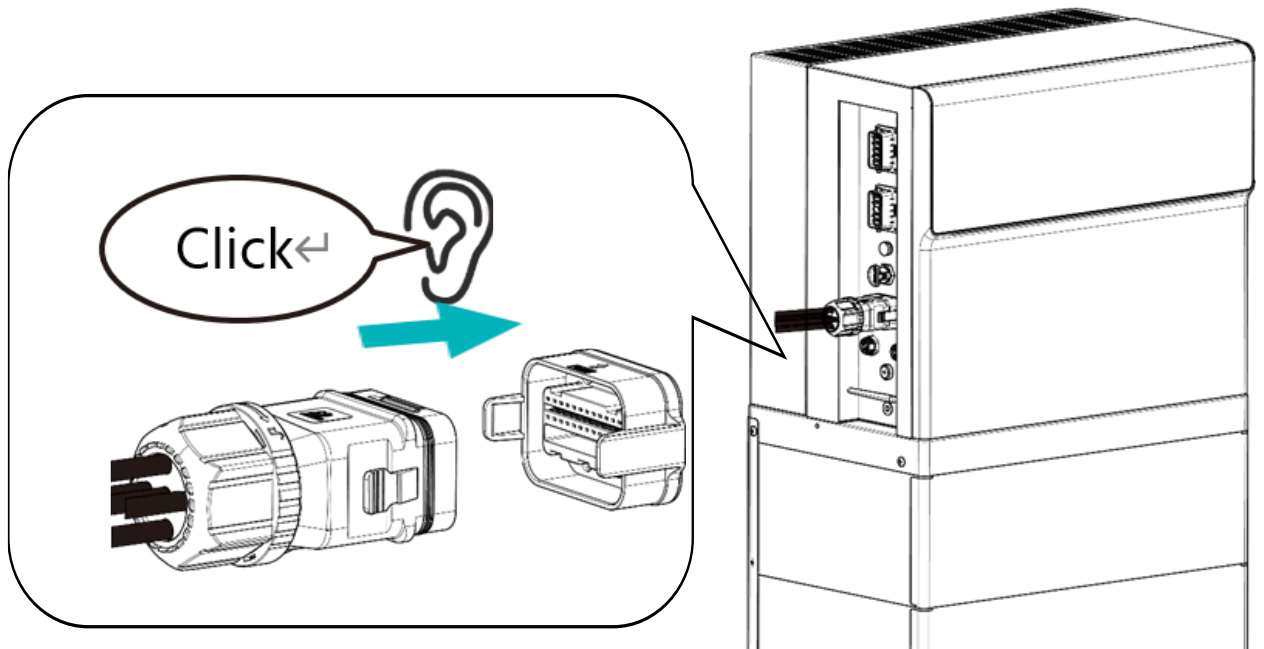
9. Push the terminal plug into the housing until there is an audible click.
10. Install back the rubber gasket into the housing and Insert the rubber plugs in the empty holes of the rubber gasket.
11. Fasten the swivel nut to the housing with a torque of 2.5+/-0.1 N·m.



5.11.2 Communication Connector Connection

Procedure

1. Remove the waterproof lid from the communication terminal.
2. Insert the connector into the terminal until there is an audible sound.



6 Commissioning

6.1 System Turning On

Safety Check Before Power ON

Please check the following before switching on any power supply connected to the AXIhycon ONE system and switching on the PV switch of the power controller:

Grid:

- Grid voltage: check that the grid voltage at the point of connection to the AXIhycon ONE system complies with the permissible range of the AXIhycon ONE system (L-N: 172.5-264.5 Vac).
- Grid connector and wire assembly: Check that the wires on the AC side are assembled correctly and that the AC connector is mounted correctly and securely. Check that the AC connectors are securely plugged into the AC terminals.

Backup:

- Back-up connector and wire assembly: Check that the wires are correctly assembled on the load side, and check that the back-up connector is securely inserted into the back-up terminals.

PV

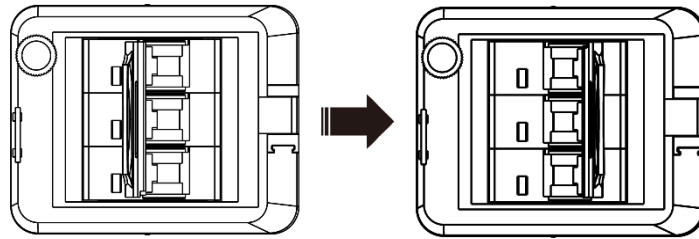
- PV connectors: Check that the PV connectors are properly installed on the terminals.
- DC Voltage: Check that the maximum open circuit voltage of the PV array complies with the permissible range.
- DC Polarity: Check that the wires from the DC voltage source are connected to the terminals with the correct polarity.
- Ground resistance: Check that the ground resistance of the PV string is greater than $1\text{ M}\Omega$ using a multimeter.

Overall:

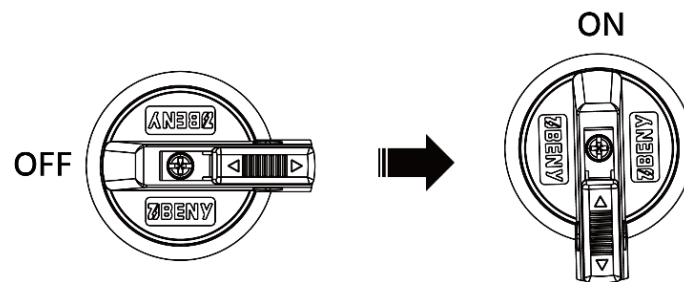
- Cables: Check that all cables are securely connected. Check that the connections are valid and that the insulation is not damaged.
- Grounding: Use a multimeter to check all grounding and check that all exposed metal parts of the system are properly grounded.

Procedure

1. Turn on the battery switch at the right side of the power controller.



2. Turn on the AC switch between the AXIhycon ONE and the power grid.
3. Turn on the PV switch at the right side of the power controller.



4. (Optional) Turn on the DC switch between the AXIhycon ONE and the PV string if there is any.
5. Observe the LEDs to check the system operating status.

The detailed description of LED can be found in *Section 6.3 LED Introduction and Debug*.

If the system has to be powered on without PV and Grid, you can first turn on the battery switch and then press the start button on power controller for 1 seconds.

6.2 Energy Management

6.2.1 WI-FI Information

Manufacturer: Axitec Energy GmbH & Co. KG

Address: Otto-Lilienthal-Str. 5, 71034 Böblingen, Germany

Basic Information of Wi-Fi	
Wi-Fi	IEEE802.11b/g/n/ax @2.4GHz
Wi-Fi frequency range	2412~2472MHz
WIFI maximum transmission power	18.63dBm
Bluetooth frequency range	2402~2480MHz
Bluetooth maximum transmission power	6.94dBm
Type of antenna	2.4G IPEX-SMA Antenna

6.2.2 App Download

The AXIhycon ONE system must be operated by Cloud, to meet the needs of different user groups, AXIhycon ONE provides two distinct applications for distributor/installer and end-user.

- For distributors/installers: AXIcloud ONE
- For end-users: AXIcloud ONE

NOTE: The AXIhycon ONE system should be online and the plant need to be established. If the system is not be networked, the warranty will be shortened to 5 years (normally 10 years with network).

Please search **AXIcloud ONE** in the App Store or GooglePlay to download it.



For more details of APP usage, see the AXIcloud ONE user manual.

NOTE: The APP is continuously undergoing iterative updates.

6.2.3 Working Mode

Intelligent Dynamic Mode(P0)

This is the AI mode. The system will automatically train for 30 days, after it is first installed and powered on. During these days, real-time local electricity prices, weather and sunlight conditions (for PV) will be recorded, and continuously sample battery parameters and load usage. After 30 days of training, the dynamic mode will be mature enough.

In Intelligent dynamic mode, the system will automatically calculate when to buy, sell or store electricity to minimize costs and maximize revenue.

Self-Consumption Mode(P1)

This is the default mode and is designed to maximize the use of PV energy.

In self-consumption mode, the PV energy is prioritized as Load > Battery > Grid, which means that the energy generated by the PV is prioritized for supply to the local load, the excess energy is used to charge the battery, and the remaining energy is fed into the grid or will be limited (depending on the 'Power to grid').

If the PV energy is insufficient, the battery will discharge to meet the load demand.

If it is still insufficient, the load will draw power from the grid to meet the demand.

Backup Mode(P2)

In this mode, PV energy is prioritized as Load > Battery > Grid, i.e. the energy generated by the PV is prioritized for local loads, the excess energy is then supplied to the charging the battery, and the remainder of the energy fed into the grid (may be limited depending on the 'Power to grid').

If the PV energy is insufficient, the batteries will draw power from the grid for fully charging and the grid will supply the loads at the same time.

Feed in Priority Mode(P3)

In this mode, the system can get some revenue from grid connection and it is recommended to select this mode when the grid feed in revenue is high.

The priority of PV energy is Load > Grid > Battery, i.e. the energy generated by the PV is prioritized to supply the backup loads, the excess energy is fed into the grid for revenue, and the remaining energy is used to charge the battery.

When the PV energy is limited and cannot meet the demand of 'Power to grid', the battery will discharge to meet the feed-in power demand in order to maximize revenue.

Full Off-Grid Mode(P4)

In this mode, the system will disconnect the grid connection.

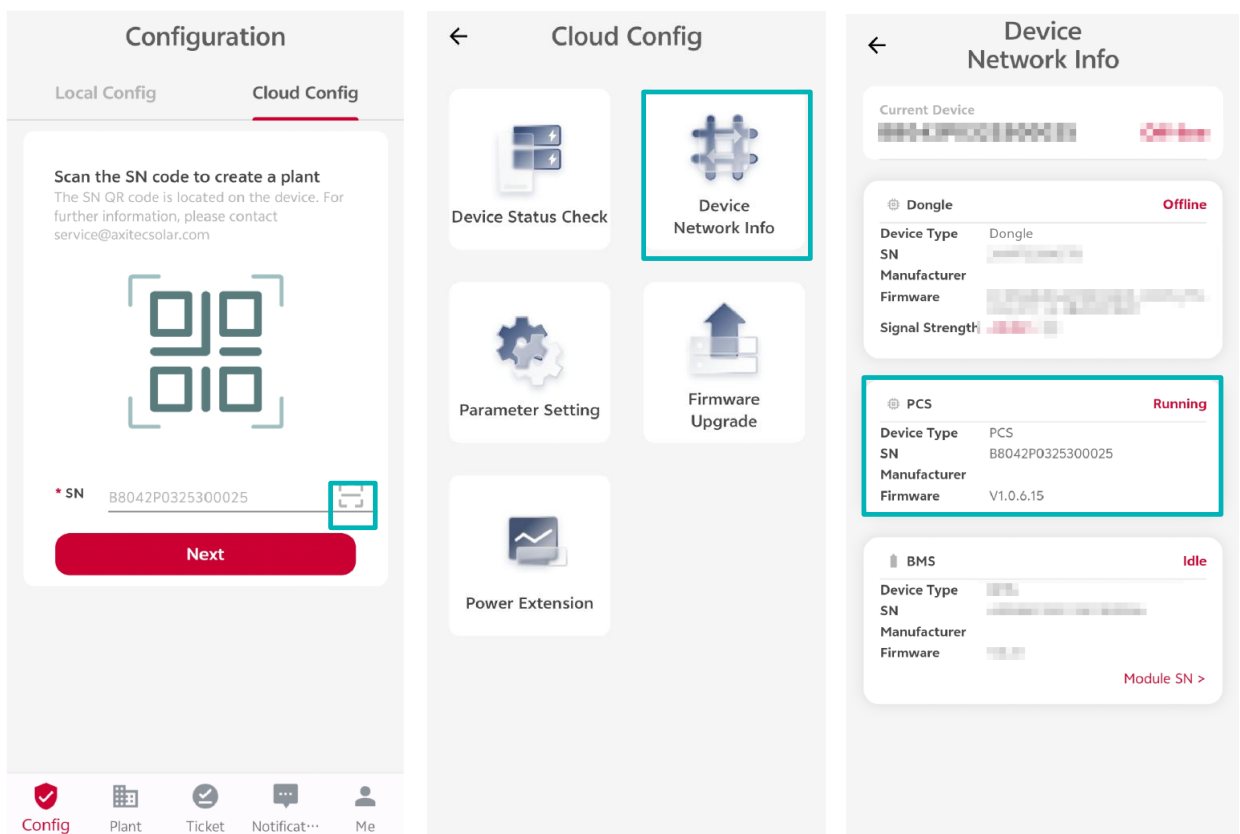
The priority of PV energy is Load > Battery, i.e. when there is enough PV energy, the energy is supplied to the load first, and the remaining energy is used to charge the battery.

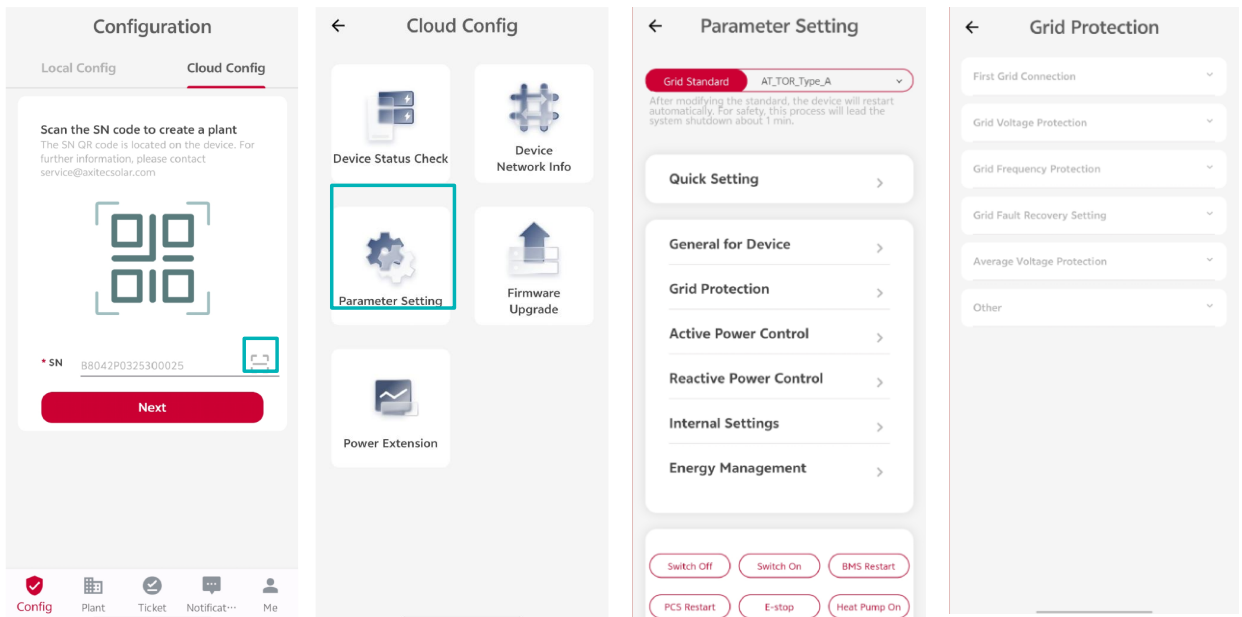
If the PV energy cannot satisfy the load, the battery discharges to supply the load until the 'Discharge Limited SOC for off-grid' is reached.

6.2.4 Commissioning

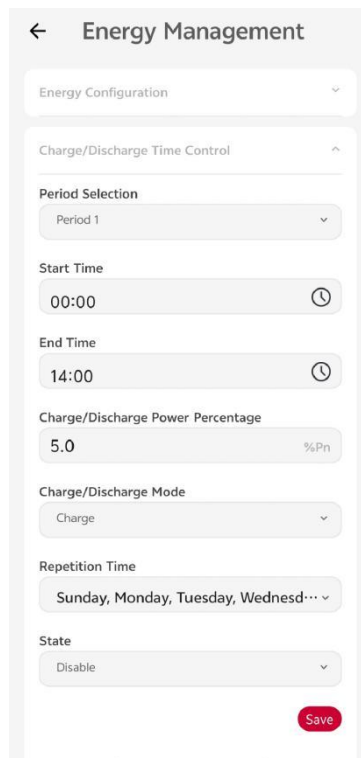
In the 'AXIcloud ONE' App, during the commissioning, you can find how to:

- Selecting Region settings for power quality response modes and grid protection
- Adjusting power quality response mode setpoints
- Adjusting grid protection settings setpoints
- Inverter firmware version





6.2.5 Charge/Discharge Time Control



In the charge/discharge time control, four time periods can be set respectively, and each time period can be assigned according to the mode selection.

If the time control is open.

In the charge period, if the PV energy is sufficient, the PV energy is prioritized as Battery > Load > Grid (if the feeder is allowed); If the PV energy is insufficient to charge the battery and meet the

home load, the insufficient electricity will be taken from the grid.

In the discharge period, if the PV energy is sufficient, battery will not charge to the load; If the PV energy is insufficient, battery will discharge at the setting power until the 'Discharge limited SOC'.

No.	Item	Setting Range
1	Start time	0-24 hours
2	End time	0-24 hours
3	Charge/Discharge power	0-100%
4	Mode	Charge/Discharge
5	Repetition time	Any combination from Monday to Sunday
6	State	Open/Closed.

NOTE: The time control only lower priority than Intelligent dynamic mode.

6.3 LED Introduction and Debug

When the system is switched on, you can observe that the system LED display is illuminated for 15min. Subsequently, each time you want to view the display, you can do so by pressing the start button for 2 seconds. In addition, the LED is automatically illuminated whenever the system changes operating mode or fails. The LEDs are explained as follows.

First startup of a single-string system

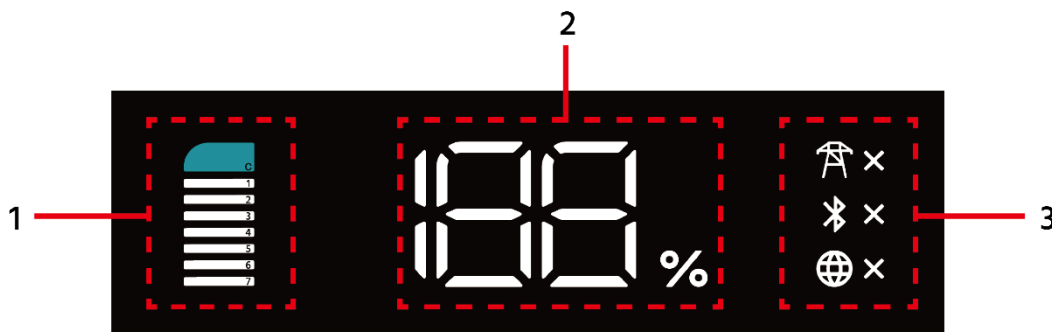
All the lights are on for 4 seconds (two-color lights are on for 2 seconds + 2 seconds), indicating the self-test. And then it enters the self-test and lights up for 15min. (Each startup).

First startup of a multiple-string system

All lights of each string are on for 4 seconds, (dual-color lights are on for 2 seconds + 2 seconds), and then digital displays 'A-', indicating the address. Until the address allocation is successful, it displays A * (1~6) each specific address 4s and then enters the self-test and lights up for 15min. (Each startup)


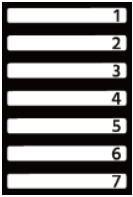

Self-test




Indicating the power controller is in power-on self-test state. At this time the system has no output. Digital displays '--', and white color is always on.



No.	Name	Description
1	Overall system status	Displayed according to the actual situation.
2	Digital display	Priority displays P* mode, 4 seconds, and then alternately displays (if there is a relevant state) E*/F*/L*/SOC/each 2s. (If the E/F/L fault is not triggered, it will not be displayed.)
3	Special symbols	Displayed according to the actual situation.

Here is the detail description of the LED light.

Icon	Description	Color
	Constant light: Resolve the specific problem in conjunction with the digital screen. A safety related, high level fault has occurred in the system including but is not limited to: power controller-side failure, storage-side failure, interlock due to master-slave failure, emergency stop, battery communication loss, not including off-grid.	Orange
	Flashing: analyze the specific problem in conjunction with the digital screen, indicating that protection has occurred in the system section. It stops working.	Orange
	Flashing: The system upgrade is in progress	1s/1s
	Flashing: working in maintenance mode, without battery.	Blue 0.5s/0.5s
	Constant light: in normal operation.	Blue
	Constant light: charging, displaying the number of connected modules.	White
	Flashing: discharging, displaying the number of connected modules.	White 1s/1s
	Flashing: standby (current to be determined), displaying the number of connected modules.	White 1.5s/0.5s
	Flashing: only serial number 7 battery module blinks, indicating sleeping mode.	White 1s/1s
	Constant light: energy storage controller related faults and unrecoverable protection, such as system voltage, current, all access to the battery module to participate in the display. If a single cell related fault, the corresponding module changes.	Orange
	Flashing: Energy storage controller related protection, such as system voltage, current, all access to the battery module to participate in the display. If single cell related protection, the corresponding module changes.	Orange 1s/1s
	SOC display, range 1~100%	White
	Information Display	White
	A*: Address	

	P*: Mode [see the definition of human-machine interaction].	
	P0: Intelligent dynamic mode	
	P1: Self-consumption mode	
	P2: Backup mode	
	P3: Feed in priority mode	
	P4: Full Off-Grid mode	
	P5: Charge/Discharge time control	
	P6: After-sales maintenance mode	
	Others reserved.	
	E*: 【Definition based on power controller failure mode】	
	F*: 【Based on the system failure mode definition】	
	L*: 【Based on the battery failure mode definition】	
	Solid: AC Grid connected and in On-Grid mode.	white
	Flash: AC Grid connected and in the Off-Grid mode.	White 3s/3s
	Solid: AC Grid disconnected.	White 1s/1s
	Solid: Bluetooth device is connected.	White
	Flash: Bluetooth device is not connected.	White 1s/1s
	Solid: Internet is connected.	White
	Flash: Internet is configured but offline.	White 3s/3s
	Flash: Internet is not configured.	White 1s/1s

7 Maintenance

7.1 System Turning Off

 **DANGER**

Danger: When any failure occurs or there is a need for service, the battery storage system must be powered off at first.

Precondition

Before performing any internal operations on the AXIhycon ONE system, disconnect the system from all voltage sources as described in this manual.

Procedure

These steps must be performed in the order described.

1. Turn off the device by using the parameter modification in the App or Website
Switch off the device by using the “switch off” button in the app or website.
2. Disconnect the breakers on the load and grid sides
3. Disconnect the breakers on the load, grid and PV (if any) sides.
4. Set the PV switch of the controller to the “OFF” position
5. Turn off the battery switch. At this time, there is remaining power in the controller capacitor.
Waiting for 5 minutes until the controller is completely de-energized before operation.

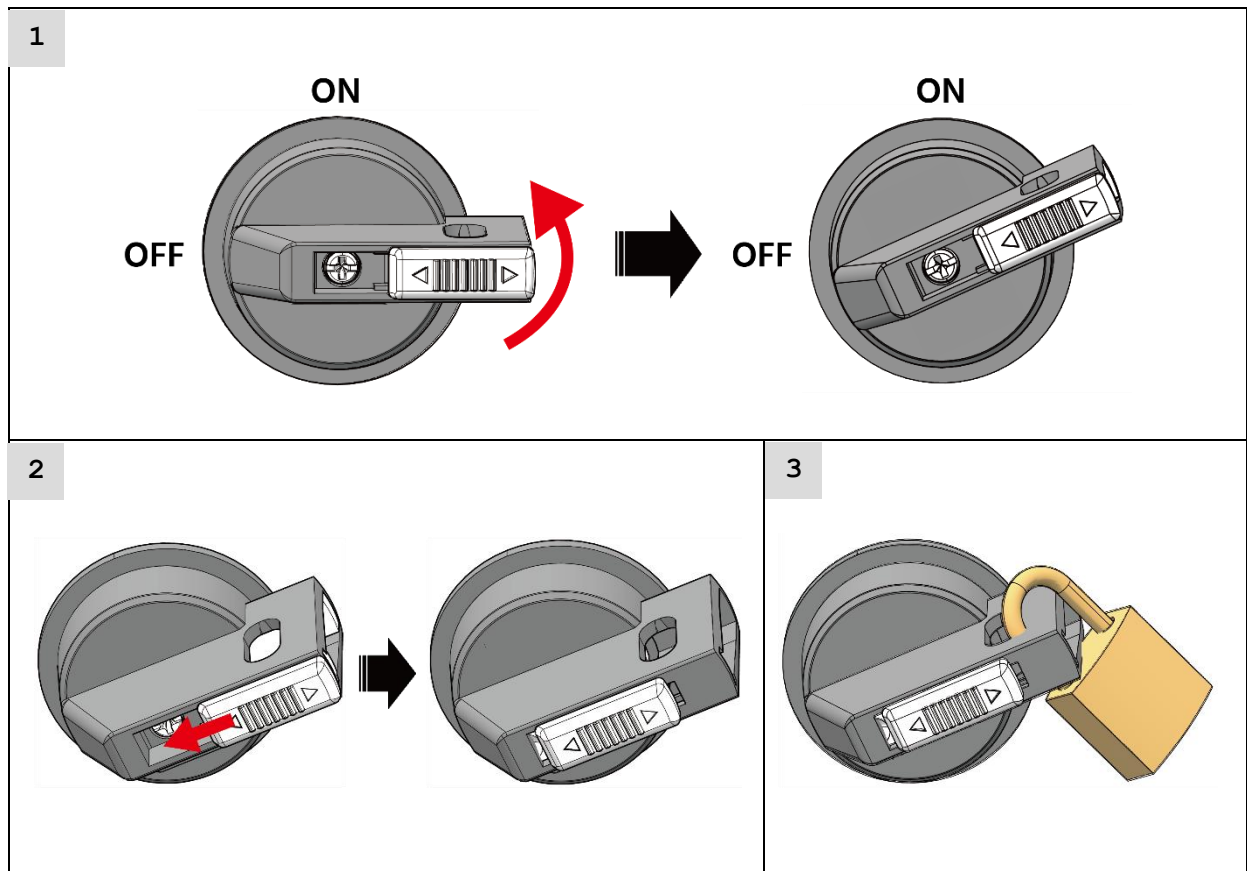
 **CAUTION**

Caution: When replacing batteries, ensure that the new battery and the old battery are of the same type.

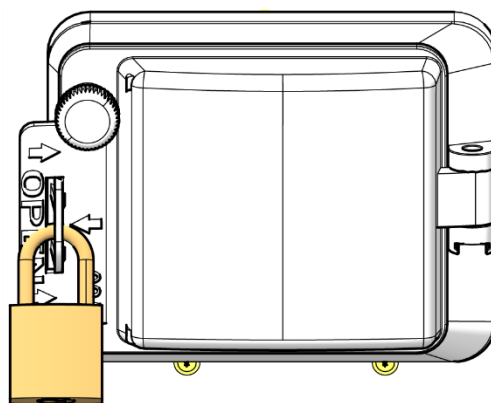
Before replacing the battery module for service, make sure to charge the new and the old battery modules both to 100% SOC separately. Otherwise the system needs long time to do balance for this replaced battery module and the SOH of battery may be reduced greatly.

NOTE:

It is recommended to additionally lock the PV switch for maintenance shutdowns. The procedure of lock the PV switch is as follows.



It is recommended to additionally lock the battery switch to prevent accidental contact by personnel as follow.



The lock is not in the AXIhycon ONE packing box. Please prepare it yourself.

7.2 System Maintenance

 **DANGER**

Danger: The maintenance of system must be done by qualified and authorized person only.

 **DANGER**

Danger: The power must be turned off prior to any maintenance of the system.

 **DANGER**

Danger: Do not maintain the battery while it is short-circuited and on fire, the battery may explode, spatter and release toxic gases.

Do not disassemble or damage the battery. A broken battery may leak electrolyte, which is corrosive and has a toxic odor, so take care to avoid contact with skin and eyes.

Voltage Inspection

Check the voltage of battery system through the monitor system. Check if the system is abnormal voltage. For example: Single cell's voltage is abnormally high or low.

SOC Inspection

Check the SOC of battery system through the monitor system. Check if the battery string is abnormal SOC.

Cable Inspection

Visual inspect all the cables of system. Check if the cables are broken, aging, or getting loose.

Output Relay Inspection

Under low load condition (low current), switch the output relay to OFF and ON to hear the clicking sound, which means this relay can be turned off and on normally.

Environment Inspection

Check the installation environment such as dust, water, insect etc. Ensure that it is suitable for IP65 battery system.

It is recommended that the system be maintained at least every six months.

7.3 Troubleshooting

DANGER

Danger: This system is a high voltage DC system, operated by qualified and authorized person only.

DANGER

Danger: Before checking the failure, ensure to check that all the cables connection and the BESS system can be turned on normally.

The following fault codes are displayed on the LED display on the power controller.

No	Fault Code	Problem	Possible Reason	Solution
1	L0	Overheating	The system charges and discharges the battery with high power for a long time	Reduce the load or stop charging and discharging the battery and use the energy storage system reasonably.
			Abnormal heat dissipation of the system	The system should be installed in a space of at least 30 mm from the wall. If the system is installed indoors, ensure that the installation environment is well ventilated and avoid significant indoor temperature rise by 3°C while the system is running,
			Direct sunlight on the energy storage system or fire source, heat source around the energy storage system.	Avoid direct sunlight where the energy storage system is installed and ensure that the installation area is far away from fire and heat sources.
			Battery system false alarm	Restart the system to confirm whether the fault persists.
2	L1	Under-temperature	System ambient temperature is too low	External physical heating of the energy storage system
			Battery system false alarm	Restart the system to confirm that the fault persists
3	L2	Overvoltage	Battery system false alarm	Restart the system to reconfirm
			The charging current control accuracy of the	Contact the manufacturer for confirmation

No	Fault Code	Problem	Possible Reason	Solution
			controller is abnormal	
			Battery module damaged	Contact the manufacturer for confirmation
4	L3	Undervoltage	Off-grid operation, excessive standby time after discharge cut-off	Set the cut-off SOC reasonably and recharge the battery in time after discharging.
			Batteries left in place too long	Recharge the battery on time when it is left in place without use.
			Battery system false alarm	Restart the system to reconfirm.
			Battery module damaged	Contact the manufacturer for confirmation.
5	L4	Sleep	Grid-connected operation, battery failure resulting in severe battery undervoltage	Contact the manufacturer for any unrecoverable faults in the system operation.
			Off-grid operation, controller control circuit failure resulting in severe battery over-discharge	Contact the manufacturer for confirmation.
6	L5	Charge overcurrent	Battery system false alarm	Restart the system to reconfirm.
			The current control accuracy of the controller is abnormal	Contact the manufacturer for confirmation.
7	L6	Discharge overcurrent	Load overrun	Set the load appropriately.
			Low number of batteries	Configure the number of battery modules appropriately.
			The current control accuracy of the controller is abnormal	Contact the manufacturer for confirmation.
			Battery system false alarm	Restart the system to reconfirm.
8	F2	Other routine failures that can be recovered	False alarms or communication abnormalities	Wait for recovery or restart and contact the manufacturer for confirmation if the fault cannot be solved.

No	Fault Code	Problem	Possible Reason	Solution
9	F3	System Failures	False alarm or abnormal self-test	Restart and reconfirm and contact the manufacturer for confirmation if the fault cannot be solved.
10	F4	Critical Failures	The battery cell is damaged.	Please contact the manufacturer to change the battery.
11	FF	WIFI collector communication failure	Abnormal communication between storage system and collector	Restart and reconfirm and contact the manufacturer for confirmation if the fault cannot be solved.
12	FG	Earth Fault	Earth fault detected	Fault information will be pushed as notifications on the 'AXIcloud ONE' app. Please contact the manufacturer for confirmation if the fault cannot be solved.
13	E0	PV overvoltage protection	Mismatch between PV input and device parameters	Please make sure that the input parameters of PV meet the requirements of equipment parameters.
			False alarm of energy storage system	Restart the system to reconfirm.
			Abnormal PV detection of energy storage system	Contact the manufacturer for confirmation.
14	E1	Battery voltage overrun	The number of batteries exceeds the upper limit of equipment support.	Confirm the equipment specifications and the maximum number of batteries to be connected and reasonably configure the number of batteries.
15	E2	Battery not connected	Battery not installed in energy storage system	The whole energy storage system must be used together with batteries, otherwise the system itself does not meet the IP rating.
			Abnormal system detection	There are actually batteries but the reported batteries are not connected. Contact the manufacturer for confirmation.
16	E3	AC overvoltage/ undervoltage protection	Wrong choice of grid standards	Ensure that the power grid standard is correct.
			Grid instability, unusual fluctuations	Ensure that the power grid is available and stable.
			Others	Contact the manufacturer to confirm.

No	Fault Code	Problem	Possible Reason	Solution
17	E4	AC over-frequency and under-frequency protection	Wrong choice of grid standards	Ensure that the grid standard is selected correctly.
			Grid instability, unusual fluctuations	Ensure that the power grid is available and stable.
			Others	Contact the manufacturer to confirm.
18	E5	Controller over-temperature protection	Long time high power operation of the system	Reduce the load
			Abnormal heat dissipation of the system	Ensure that there is room for heat dissipation in the controller heat sink, and the installation environment is well ventilated as much as possible.
			Direct sunlight on the energy storage system or fire source or heat source around the energy storage system.	Avoid direct sunlight on the installation location of the energy storage system and ensure that the installation area of the system is far away from fire and heat sources.
			False alarms	Restart the system to confirm whether the fault persists.

More alarm information can be checked in the App AXIcloud ONE.

Once a certain failure is detected following the trouble shooting procedure, turn off the system (>>> see *Section 7.1 System Turning Off*) first before replacement so as to avoid further over discharge to the system due to the self-consumption.

7.4 Replacement of Main Components among the BESS

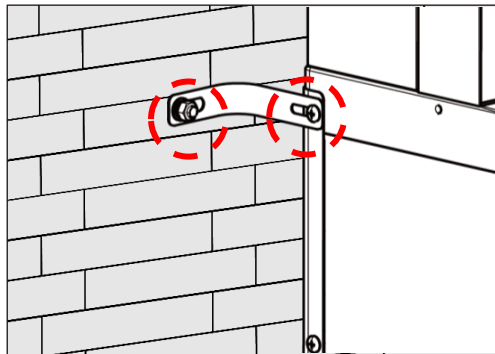
DANGER

Danger: This system is a high voltage DC system, operated by qualified and authorized person only.

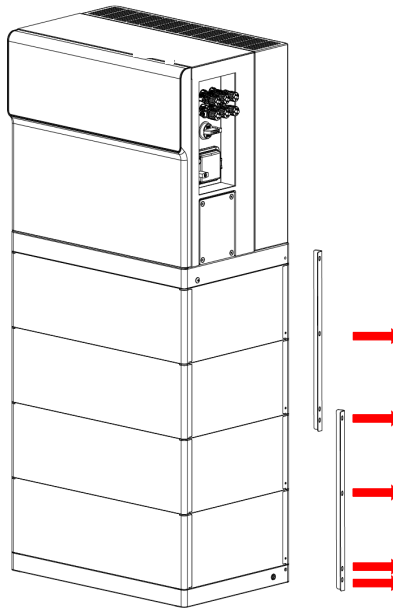
7.4.1 Replacement of Battery Module

Procedure

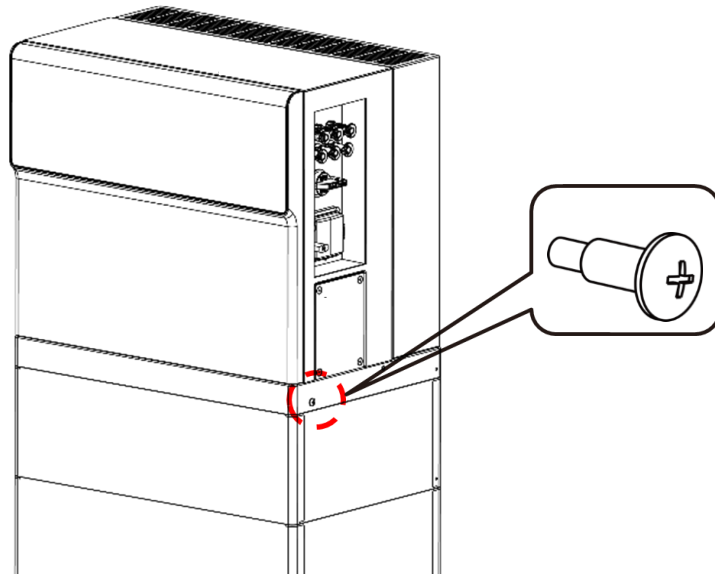
1. Charge existing module to full (SOC 100%). Ensure that new battery module is 100% SOC as well.
2. Follow the procedure of turning off the system (>>>see *Section 7.1 System Turning Off*) and ensure that the system has been completely shut down.
3. Disconnect the AC cables, DC cable, communication cable and grounding cable.
4. Dismantle the anti-toppling brackets.



5. Dismantle the metal brackets at both back sides of the battery modules (see the figure below).



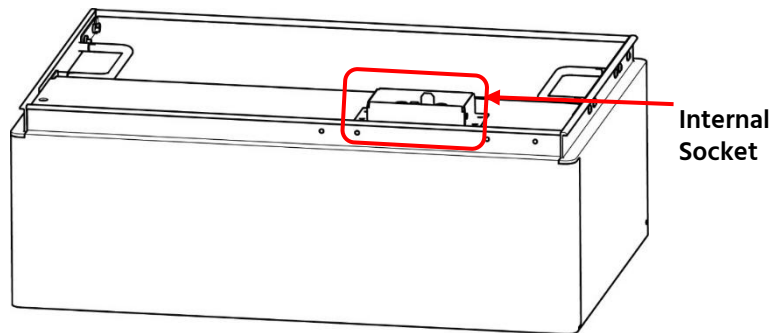
6. Dismantle 2 M4 screws on both sides of the power controller base.



7. Remove the power controller and each battery module one by one.

 **DANGER**

Danger: When battery is connected together with the base, the internal socket still has high voltage DC power from serial connected battery modules.



⚠ WARNING

Warning: Single battery module weights 39 kg. If there are no handling tools, at least more than 2 people are needed to handle with it.

8. Pile up the new battery module. And install back the battery modules and power controller.
9. Fix back the 2 M4 screws on the power controller base. And install back the metal brackets and anti-toppling brackets.
10. Install back grounding cable, communication cable, DC cables and AC cables.
11. Turn on the system (>>> see *Section 6.1 System Turning On*).

7.4.2 Replacement of Power Controller

Procedure

1. Follow the procedure of turning off the system (>>> see *Section 7.1 System Turning Off*) and ensure that the system has been completely shut down.
2. Disconnect the AC cables, DC cable, communication cable and grounding cable.
3. Dismantle the anti-toppling brackets (>>> see *Section 7.4.1 Replacement of Battery Module*).
4. Dismantle the metal brackets at both back sides of the battery modules (>>> see *Section 7.4.1 Replacement of Battery Module*).
5. Dismantle 2 M4 screws on both sides of the power controller base (>>> see *Section 7.4.1 Replacement of Battery Module*).
6. Remove the power controller.
7. Pile up the new power controller.
8. Fix back the 2 screws on the power controller base. And install back the metal brackets and anti-toppling brackets.
9. Install back grounding cable, communication cable, DC cable, and AC cables.
10. Turn on the system (>>> see *Section 6.1 System Turning On*).

8 Expansion Services

AXIhycon ONE series products support system power expansion, the power of the system can be expanded to the maximum power supported by the system.

For the system of which power is 8kw, 10kw or 12kw, it can be upgraded to a maximum of 15kw through the paid service (for the 8kw system, you can choose to upgrade to 10kw, 12kw, and the other is also the same).

This is a great feature for first time installations where you choose a lower power device, and then later on, if your household power needs increase or you want to increase the power of your device for other reasons. For details on how to implement this, please contact your local dealer or email <mailto:service@axitecsolar.com>.

9 Shipment and Storage

9.1 Shipment

The battery module and the power controller of AXIhycon ONE system are shipped separately, due to its flexible installation configuration, customers are free to choose the power controller and the number of battery modules. Then simple stack and assemble to complete the system installation.

Before shipment, single module is pre-charged to about 100% SOC, or according to customer requirements. After delivered on-site, the remaining battery capacity is determined by the storage time and condition.

- The battery modules should meet the UN38.3 certificate standard.
- In particular, local rules and policies (e.g. ADR: European Agreement concerning the International Carriage of Dangerous Goods by Road) for the product transportation shall be complied with. For more details, please enquiry the Safety Data Sheet (SDS) from AXITEC: <mailto:service@axitecsolar.com>.

9.2 Storage

It is not recommended to leave the battery unused for a long time. If it needs to be stored for a long time indeed, please follow the suggestions:

- When the system is installed and in the normal operation stage, such as plans to go out for a long time or not used, it is suggested to charge the battery to more than 90% SOC. disconnect all the power supply switch of the system to maintain a complete power-off state, the system is expected to be available to maintain self-consumption for 6 months.
- The system storage temperature is -20 ~ 60 °C, recommended storage temperature 10 ~ 45 °C, humidity <65%;
- Do not separate the battery from the power controller for separate storage, and the system does not meet the IP65 protection rating when separated;
- After the system is separated or before installation, it is necessary to keep the battery and controller each placed in the original packing carton and resealed;
- If there is a situation where the battery is self-draining, the maximum time should not exceed 6 months. Ensure to replenish the battery and activate the battery (several cycles of charging and discharging). If it needs to be stored again, it is required to charge the battery again to save. It is recommended to maintain the battery by charging and discharging it at least every 6 months to avoid leaving it for too long.

CAUTION

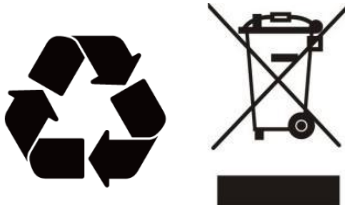
Caution: If you do not follow the above instructions for long term storage of the system, the cycle life will decrease heavily.

10 Warranty Services and Repair

- In the process of system operation, there are various faults that cause the system can not be used, or there are frequent alarms that affect or do not affect the use of the system, you can feedback your problem through the work order in APP.
- In the process of system installation and operation, if you want to increase the battery module or if the battery module is faulty and needs to be replaced, please ensure that capacity of the new module is the same as that of the module being used. Normal new modules are fully charged, so you can first fully charge the running modules in the system before installing new ones to use together.
- In addition to the APP work order feedback, Any questions, problems or needs in the process of your use of ideas, you can also communicate with the dealer or contact experts from AXITEC: service@axitecsolar.com.
- In the product warranty time and warranty scope, if the product has quality problems, you can apply for warranty service. If the product meets the warranty conditions, it will be replaced or repaired for you.

11 Disposal

In case a battery (normal condition or damaged) needs disposal or needs recycling, it shall follow the local recycling regulations to process and use the best available techniques to achieve a relevant recycling efficiency.



12 Technical Specifications

12.1 System Specifications

Specifications	AXIhycon ONE-8H /10H/12H/15H-10/15/20/25/30/35			
Controller	AXIhycon ONE-8H	AXIhycon ONE-10H	AXIhycon ONE-12H	AXIhycon ONE-15H
Battery module	AXIstorage Li SV 3			
Number of battery modules	2/3/4/5/6/7			
System nominal capacity (kWh)	10.24/15.36/20.48/25.6/30.72/35.84			
System nominal power (kW)	8	10	12	15
DC (PV side)				
Maximum power (kW)	12.8	16	19.2	24
Maximum input voltage (V DC)	1000			
Start up voltage (V DC)	200			
Mppt voltage range (V DC)	200~850			
Mppt full load voltage range (V DC)	280~850			
Number of mppt	3			
Number of PV strings per mppt	1			
Maximum current (A)	20/20/20			
Short circuit current per mppt (A)	30/30/30			
Max. inverter backfeed current to the array (A)	0			
Surge protection	Type II			
DC (Battery side)				
Maximum continuous charge/discharge current (A)	50/50			
The maximum charging power of the single-phase model with one battery (kW)	10			
The maximum discharging power of the single-phase model with one battery (kW)	8	10	10	10
The maximum charging power of the	15			

Specifications	AXIhycon ONE-8H /10H/12H/15H-10/15/20/25/30/35			
the single-phase model with more than two batteries (kW)				
The maximum discharging power of the single-phase model with more than two batteries (kW)	8	10	12	15
AC (Grid side)				
Nominal grid voltage	3/N/PE AC 230/400V			
Nominal grid frequency (Hz)	50/60			
Max. (rated) continuous current to grid (A)	11.6	14.5	17.4	21.7
Nominal active power to grid (W)	8000	10000	12000	15000
Max. (rated) apparent power to grid (VA)	8000	10000	12000	15000
Max.(rated) continuous current from Grid	17.4	21.7	26.1	32.6
Nominal active power from grid (W)	12000	15000	18000	22500
Max. (rated) apparent power from grid (VA)	12000	15000	18000	22500
Maximum output fault current (peak and duration)	L-L: 348A@109ms L-N: 302A@111ms L-PE: 337A@108ms			
inrush current (peak and duration)	8.15A@5.4ms			
Power factor range	-0.8~+0.8			
THDi	<3%			
AC (Back-up)				
Nominal voltage	3/N/PE AC 230/400V			
Max. (rated) continuous current (A)	11.6	14.5	17.4	21.7
Nominal output Frequency (Hz)	50/60			
Max. (rated) apparent power (VA)	8000	10000	12000	15000
Peak off-grid power (60s)/estimate (VA)	9600	12000	14400	18000
Power factor range	-0.8~+0.8			
ON/Off-grid Switching time (ms)	10			

Specifications	AXIhycon ONE-8H /10H/12H/15H-10/15/20/25/30/35
THDv	<3%
Efficiency	
Maximum efficiency	98%
European Efficiency	97.5%
Protection	
Anti-islanding protection*	Yes, frequency shift
AFCI	Yes
Insulation resistor detection	Yes
Residual current monitoring unit	Yes
Output over current protection	Yes
Output short protection	Yes
Output overvoltage protection	Yes
PV switch	Yes
DC reverse polarity protection	Yes
PV overvoltage protection	Yes
General Data	
Dimensions (W/H/D, mm)	540*835/1005/1175/1345/1515/1685*350 (Height corresponds to 2~7 battery modules)
Weight (kg)	121/160/199/238/277/316 (Corresponding to 2~7 battery modules)
Operating temperature range (°C)**	-10~55
System working humidity range	0~100%
System working altitude (m)***	2000
Common noise level (1 meter) (dB)	< 30
Maximum parallel	6
Protective class	I
Overvoltage category	DC II (PV) /AC III (Grid, Back up)
Inverter topology	Non-isolated
Ingress protection	IP65
System salt spray level	C5M
Cooling	Natural Cooling
Communication Portal	WIFI、WLAN、Bluetooth

Specifications	AXIhycon ONE-8H /10H/12H/15H-10/15/20/25/30/35
Display	LED
EPO	Installed
Standard Compliance	UN38.3/IEC61000-6/VDE-AR-E-2510-50/IEC62619/IEC60730-1/ISO13849/IEC62109-1/IEC62109-2/IEC62040-1

*: Anti-islanding protection uses active methods, automatically enabled by grid standard.

** : When the ambient temperature exceeds 45°C, the PCS will reduce the power.

***:When the altitude exceeds 2000m, the PCS will degrade the power.

12.2 Battery Specifications

Specifications		AXIstorage Li SV 3					
Cell Technology		Li-ion (LFP)					
Battery Module Capacity (kWh)		5.12					
Nominal Battery Module Voltage (VDC)		102.4					
Battery Module Capacity (Ah)		50					
Maximum continuous charge/discharge current (A)		50/50					
Battery Cell Voltage (VDC)		3.2					
Battery Cell Capacity (Ah)		50					
Dimension (W x D x H, mm)		540 x 350 x 170					
Weight (kg)		39					
Operation Temperature (°C)		-10 ~ 55					
Storage Temperature (°C)		-20 ~ 60					
Recommended Storage Temperature (°C)		10 ~ 45					
Transfer Certificate		UN38.3					
Battery System Energy (kWh)	10.24	15.36	20.48	25.6	30.72	35.84	
Nominal Battery System Voltage (VDC)	204.8	307.2	409.6	512	614.4	716.8	
Battery Module Quantity (pc)	2	3	4	5	6	7	
Battery System Charge Upper Voltage (VDC)	227.2	340.8	454.4	568	681.6	795.2	
Battery System Discharge Lower Voltage (VDC)	185.6	278.4	371.2	464	556.8	649.6	
Depth of Discharge (%)	95						



AXITEC Energy GmbH & Co. KG

Otto-Lilienthal-Str. 5, 71034 Böblingen, Germany

E service@axitecsolar.com

W <https://www.axitecsolar.com>