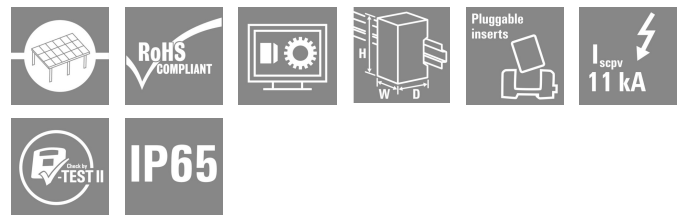


PVN DC 1I 1O 1MPP SPD1R EVO 11

Weidmüller Interface GmbH & Co. KG
 Klingenbergstraße 26
 D-32758 Detmold
 Germany

www.weidmueller.com

Similar to illustration



PV Next combiner boxes for inverters with 1 to 12 MPP trackers are used to protect the DC side of a photovoltaic system. The combiner boxes protect the inverter against overvoltages and thus comply with the European Directive CLC/TS 51643-32. In addition, these products offer the possibility to protect the system against reverse currents and the possibility to combine strings to save cables during installation.

General ordering data

Version	Photovoltaics, Combiner Box, PV Next, 1100 V, 1 MPP, 1 Input / 1 Output per MPP, Surge protection I / II, MC4-Evo 2
Order No.	2914580000
Type	PVN DC 1I 1O 1MPP SPD1R EVO 11
GTIN (EAN)	4099986542020
Qty.	1 items

PVN DC 1I 1O 1MPP SPD1R EVO 11

Weidmüller Interface GmbH & Co. KG
 Klingenbergstraße 26
 D-32758 Detmold
 Germany

www.weidmueller.com

Technical data

Approvals

ROHS Conform

Dimensions and weights

Depth	132 mm	Depth (inches)	5.1968 inch
Height	240 mm	Height (inches)	9.4488 inch
Width	200 mm	Width (inches)	7.874 inch
Net weight	1676.4 g		

Temperatures

Ambient temperature -40 °C...50 °C

Environmental Product Compliance

RoHS Compliance Status	Compliant with exemption
RoHS Exemption (if applicable/known)	6c
REACH SVHC	Lead 7439-92-1
SCIP	bdab5698-6a20-4370-8e28-8810d882d01a

Included in delivery

Included accessories	Article	Mounting foot
	Quantity	4

Guarantee

Time interval 5 years

Electrical characteristics

Rated DC voltage	1100 V
Rated short-term current resistance	Rated current 37.5 A
Current per Maximum Power Point, max. 30 A	
Rated DC current per connection	Current per string, max. 30.00 A

Enclosure

Insulating material	Polyester glass-fibre reinforced, Polycarbonate, Polycarbonate	Type of mounting	Wall mounting
Impact resistance	IK08 in accordance with IEC 62208, IK10 in accordance with IEC 62262	Enclosure attachment	Via mounting feet
Connection type string	Plug MC4-Evo 2		

General data

Standards	EN 61643-31	Protection degree	IP65
Installation location	Protected outdoor area (Land and Sea)		

PVN DC 1I 1O 1MPP SPD1R EVO 11

Weidmüller Interface GmbH & Co. KG
 Klingenbergstraße 26
 D-32758 Detmold
 Germany

www.weidmueller.com

Technical data

Inputs

Amount of maximum power points (MPP)	1		
Functional earth connector	Cable entry	Number of cable entries	1
	Wire connection	Type of connection	Tension clamp connection with actuator
		Flexible, max. H05(07) V-K	25 mm ²
		w. wire end ferrule, DIN 46228 pt 1, max.	16 mm ²
Number of conduit inlets	2		
DC Input + & -	Wire connection	Type of connection	Stäubli MC4-Evo 2 connector
		Compatible cable crossection	EN 50618:2015
		Wire cross-section, min.	2,5 mm ²
		Wire cross-section, max.	16 mm ²
Fuse type	Neither fuse cartridge nor holder		
Fuses	No		
Max. number of DC inputs	per Maximum Power Point 1 input		
Number of string inputs per MPP	1		
Surge protection auxiliary contact	Cable entry	Number of cable entries	1
	Wire connection	Type of connection	Tension clamp connection with actuator
		Flexible, max. H05(07) V-K	1,5 mm ²
		w. wire end ferrule, DIN 46228 pt 1, max.	1,5 mm ²
Number of inputs	1		

Outputs

Max. number of DC outputs	per Maximum Power Point 1 output		
DC Output + & -	Wire connection	Type of connection	Stäubli MC4-Evo 2 connector
		Compatible cable crossection	TÜV 2 Pfg 1169/08.07
		Wire cross-section, min.	2,5 mm ²
		Wire cross-section, max.	16 mm ²

Surge protection DC side

Standards	EN 61643-31	Lightning test current Iimp (10/350 μs)	5 kA
Discharge current, max. (8/20 μs)	40 kA	Protection level Up (+/-, -/PE, +/PE)	≤ 3.8 kV
Short-circuit current ISCPV	11000 A	Total discharge current Itotal (8/20 μs)	50 kA
Discharge current In (8/20 μs)	20 kA	Requirements class	Type I/II
Total discharge current Itotal (10/350 μs)	6.25 kA	Protection level Up (-/PE)	≤ 3.8 kV
Protection level Up (+/-)	≤ 3.8 kV	Protection level Up (+/PE)	≤ 3.8 kV
PV system voltage, max. Ucpv	1100 V		

PVN DC 1I 1O 1MPP SPD1R EVO 11

Weidmüller Interface GmbH & Co. KG
 Klingenbergstraße 26
 D-32758 Detmold
 Germany

www.weidmueller.com

Technical data

DC load break switch

Voltage type	DC	Switch disconnecter execution	no switch
--------------	----	-------------------------------	-----------

Important note

Product information	The SCIP number was assigned due to a lead content of more than 0.1 % of the net weight. Safe use instruction according to ECHA: The identification of the hazardous substance is sufficient to allow safe use of the article throughout its life cycle, including the service life, disassembly and waste/recycling phase
---------------------	---

Classifications

ETIM 8.0	EC003857	ETIM 9.0	EC003857
ETIM 10.0	EC003857	ECLASS 14.0	22-57-02-92
ECLASS 15.0	22-57-02-92		

Tender specification sheets

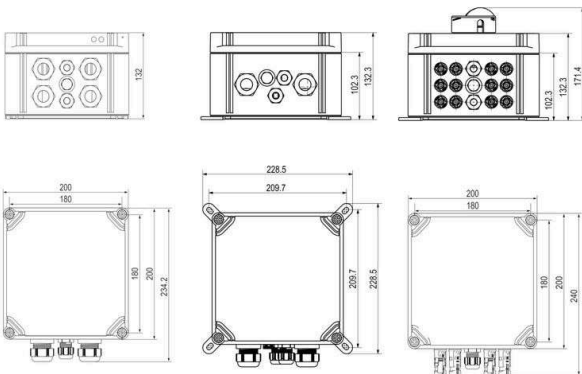
Long specification	<p>Combiner box for inverters with 1 MPP tracker, suitable for protecting the DC side of a photovoltaic system according to DIN CLC/TS 51643-32. MPP1: 1 input, connection via MC4-Evo 2 connector, compatible with cable type TÜV 2 Pfg1 169/08.07 / EN 50618:2063</p> <p>1 output, connection via MC4-Evo 2 connector, compatible with cable type TÜV 2 Pfg1 169/08.07 / EN 50618:2063</p> <p>Max. string voltage Uoc: 1100 VDC</p> <p>1 class/type I + II combined arrester with signal contact</p> <p>Connection of the signal contact via M16 cable glands (Clamping range 5-10 mmØ) max. conductor cross-section: 1,5 mm²</p> <p>Connection of the functional earth via M16 cable glands (Clamping range 5-10 mmØ) Conductor cross-section: ≥ 16 mm²</p> <p>Protection class: IP65</p> <p>All built into a glas fibre reinforced polyester housing. Dimensions HxWxD: 240x200x132 mm</p> <p>Approval according to low voltage switchgear and controlgear IEC 61439-1 and EN 61439-2</p>
--------------------	---

PVN DC 1I 1O 1MPP SPD1R EVO 11

Weidmüller Interface GmbH & Co. KG
Klingenbergstraße 26
D-32758 Detmold
Germany

Drawings

www.weidmueller.com



PVN DC 1I 10 1MPP SPD1R EVO 11

Weidmüller Interface GmbH & Co. KG
 Klingenbergstraße 26
 D-32758 Detmold
 Germany

www.weidmueller.com

Accessories

PV Sun Covers



General ordering data

Type	PV SUNCOVER 20/20/13	Version	
Order No.	8000143243	Version	Photovoltaics, Sun cover
GTIN (EAN)	4099987111829		
Qty.	1 ST		

Cutting tools



Cutting tools for conductors up to 8 mm, 12 mm, 14 mm and 22 mm outside diameter. The special blade geometry allows pinch-free cutting of copper and aluminium conductors with minimum physical effort. The cutting tools (KT 8 to KT 22) also come with VDE and GS-tested protective insulation up to 1,000 V in accordance with EN/IEC 60900.

General ordering data

Type	KT 14	Version	
Order No.	1157820000	Version	Cutting tools, Cutting tool for one-hand operation
GTIN (EAN)	4032248945344		
Qty.	1 ST		

Tools



- For flexible and solid conductors with special insulating materials
- High-quality stripping for industrial applications (complies with aircraft industry requirements)
- Specially shaped blades enable stripping of special types of insulation and conductor configurations
- Stripping length adjustable via end stop
- Very versatile thanks to interchangeable stripping units
- Stripping results reproduced accurately over and over again
- No damage to the conductor
- A long-lasting, reliable tool thanks to its sturdy design
- Integrated cutting function

PVN DC 1I 10 1MPP SPD1R EVO 11

Weidmüller Interface GmbH & Co. KG
Klingenbergstraße 26
D-32758 Detmold
Germany

www.weidmueller.com

Accessories

General ordering data

Type	MULTI-STRIPAX PV	Version	
Order No.	1190490000	Photovoltaics, Plug-in connector	
GTIN (EAN)	4032248973262		
Qty.	1 ST		

Crosshead screwdriver Phillips



VDE insulated crosshead screwdriver, for Phillips screws, SDIK PH DIN 7438, ISO 8764/2-PH, output to ISO 8764-PH, SoftFinish grip

General ordering data

Type	SDIK PH3 X 150	Version	
Order No.	2749910000	Screwdriver, Blade width (B): 3 mm, 150 mm, Blade thickness (A): 3	
GTIN (EAN)	4050118897210		
Qty.	1 ST		

Slotted screwdriver



VDE insulated slot-head screwdriver, SDI DIN 7437, ISO 2380/2, drive output acc. to DIN 5264, ISO 2380/1. SoftFinish grip

General ordering data

Type	SDIS 0.6X3.5X100	Version	
Order No.	2749810000	Screwdriver, Blade width (B): 3.5 mm, Blade length: 100 mm, Blade thickness (A): 0.6 mm	
GTIN (EAN)	4050118897012		
Qty.	1 ST		
Type	SDIS 1.0X5.5X125	Version	
Order No.	2749850000	Screwdriver, Blade width (B): 5.5 mm, Blade length: 125 mm, Blade thickness (A): 1 mm	
GTIN (EAN)	4050118897050		
Qty.	1 ST		

PVN DC 1I 1O 1MPP SPD1R EVO 11

Weidmüller Interface GmbH & Co. KG
 Klingenbergstraße 26
 D-32758 Detmold
 Germany

www.weidmueller.com

Accessories

External fixing lugs



External attachment lugs 4-part set

General ordering data

Type	MF FPC	Version	FPC (polycarbonate empty enclosure), Mounting foot, Fixing lugs,
Order No.	9536040000		Height: 40 mm, Width: 19 mm, Depth: 35.5 mm, Basic material:
GTIN (EAN)	4032248009442		Polyamide, Polyamide 66, Light Grey
Qty.	1 ST		

UV-resistant cable ties

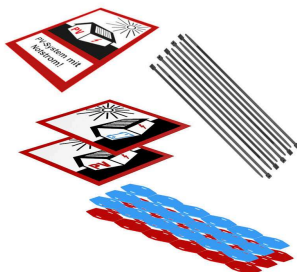


UV-resistant polyamide 6.6 ensures long durability of our special cable ties even with strong UV radiation. Ideal for continuous outdoor use.

General ordering data

Type	CB-UVR 290/4,5 BK	Version	
Order No.	2659350000		Cable ties, 4.5 x 290 mm, Polyamide 66, 220 N
GTIN (EAN)	4050118682816		
Qty.	100 ST		

PV marking sets



General ordering data

Type	PV MARKER 1-3 MPP	Version	
Order No.	8000149520		Photovoltaics, Device markers, Accessories, Conductor and cable
GTIN (EAN)	4099987229197		markers, Cable ties, Marking set, Warning label, Cable marker, Self-
Qty.	1 ST		adhesive

PVN DC II 10 1MPP SPD1R EVO 11

Weidmüller Interface GmbH & Co. KG
Klingenbergstraße 26
D-32758 Detmold
Germany

Accessories

www.weidmueller.com

Spare Arrester



General ordering data

Type	VPU PV I-II O 1000 E	Version
Order No.	2530530000	Surge voltage arrester, Low voltage, Accessories, Surge protection I /
GTIN (EAN)	4050118540741	II, Spare arrester
Qty.	9 ST	